

BALDOR® • **RELIANCE**

Product Information Packet

ECTM3665T

5 AIR OVERHP, 1750RPM, 3PH, 60HZ, 184T, 0641M

Copyright © All product information within this document is subject to Baldor Electric Company copyright © protection, unless otherwise noted.

Part Detail							
Revision:	A	Status:	PRD/A	Change #:		Proprietary:	No
Type:	AC	Prod. Type:	0641M	Elec. Spec:	06WGX182	CD Diagram:	
Enclosure:	TEAO	Mfg Plant:		Mech. Spec:	06H664	Layout:	
Frame:	184T	Mounting:	F1	Poles:	04	Created Date:	08-04-2010
Base:	RG	Rotation:	R	Insulation:	F	Eff. Date:	08-23-2012
Leads:	9#16	Literature:		Elec. Diagram:		Replaced By:	

Nameplate NP1260E

CAT.NO.	ECTM3665T						
SPEC.	06H664X182G1						
HP	5 AIR OVER						
VOLTS	208-230/460						
AMP	14-13.2/6.6						
RPM	1750						
FRAME	184T	HZ	60	PH	3		
SER.F.	1.15	CODE	J	DES	B	CL	F
NEMA-NOM-EFF	89.5	PF	79				
RATING	40C AMB-CONT						
CC	USABLE AT 208V			14			
DE	6206	ODE	6205				
ENCL	TEAO	SN					

Parts List		
Part Number	Description	Quantity
SA201040	SA 06H664X182G1	1.000 EA
RA188345	RA 06H664X182G1	1.000 EA
S/P107-000-001	SUPER E PROC'S-FS & WS PLTS-POLYREX EM G	1.000 EA
HW3201A05	3/8-16 EYEBOLT	1.000 EA
HW3201A05	3/8-16 EYEBOLT	1.000 EA
06CB1000A67G	.75 NPT @ 6:00 & GRD HOLE, 2 .125 N.P.T.	1.000 EA
RM1016	LEAD SEPARATOR GASKET - 305/306 C.P.MOTO	1.000 EA
51XW2520A12	.25-20 X .75, TAPTITE II, HEX WSHR SLTD	2.000 EA
11XW1032G06	10-32 X .38, TAPTITE II, HEX WSHR SLTD U	1.000 EA
HW3001B01	003SS CUP WASHER, FOR #8 SCREW	1.000 EA
HA4044A00	PLUG,PIPE 1/8 NPT PLASTIC SQUARE HEAD	2.000 EA
10XN2520G06	1/4 20X3/8 HX HD CAP, GREEN	2.000 EA
WD1000B16	KPA-4C BURNDY TERMINAL	2.000 EA
36EP1101C25G	FREP, 205 BRG,.125 NPT (GRAY)	1.000 EA
HA4001A01SP	DRAIN PLUG, PLASTIC (MICRO PLAS)	1.000 EA
80XN3816A04	3/8-16 X 1/4 SET SCREW	2.000 EA
HW5100A05	WVY WSHR F/205 & 304 BRGS	1.000 EA
36EP1100B19G	PUEP, 206 LOCK BRG,.125 NPT (GRAY)	1.000 EA
HA4001A01SP	DRAIN PLUG, PLASTIC (MICRO PLAS)	1.000 EA
HA4044A00	PLUG,PIPE 1/8 NPT PLASTIC SQUARE HEAD	2.000 EA
51XN1032A16	10-32 X 1.000 HX WS SL SR	2.000 EA
HA3101A53	THRUBOLT 1/4-20 X 10.50	4.000 EA
XY2520A12	1/4-20 HEX NUT, DIRECTIONAL SERRATIONS	4.000 EA
06CB1502A01G	LIPPED CONDUIT BOX LID, MACH GRAY EPOXY	1.000 EA

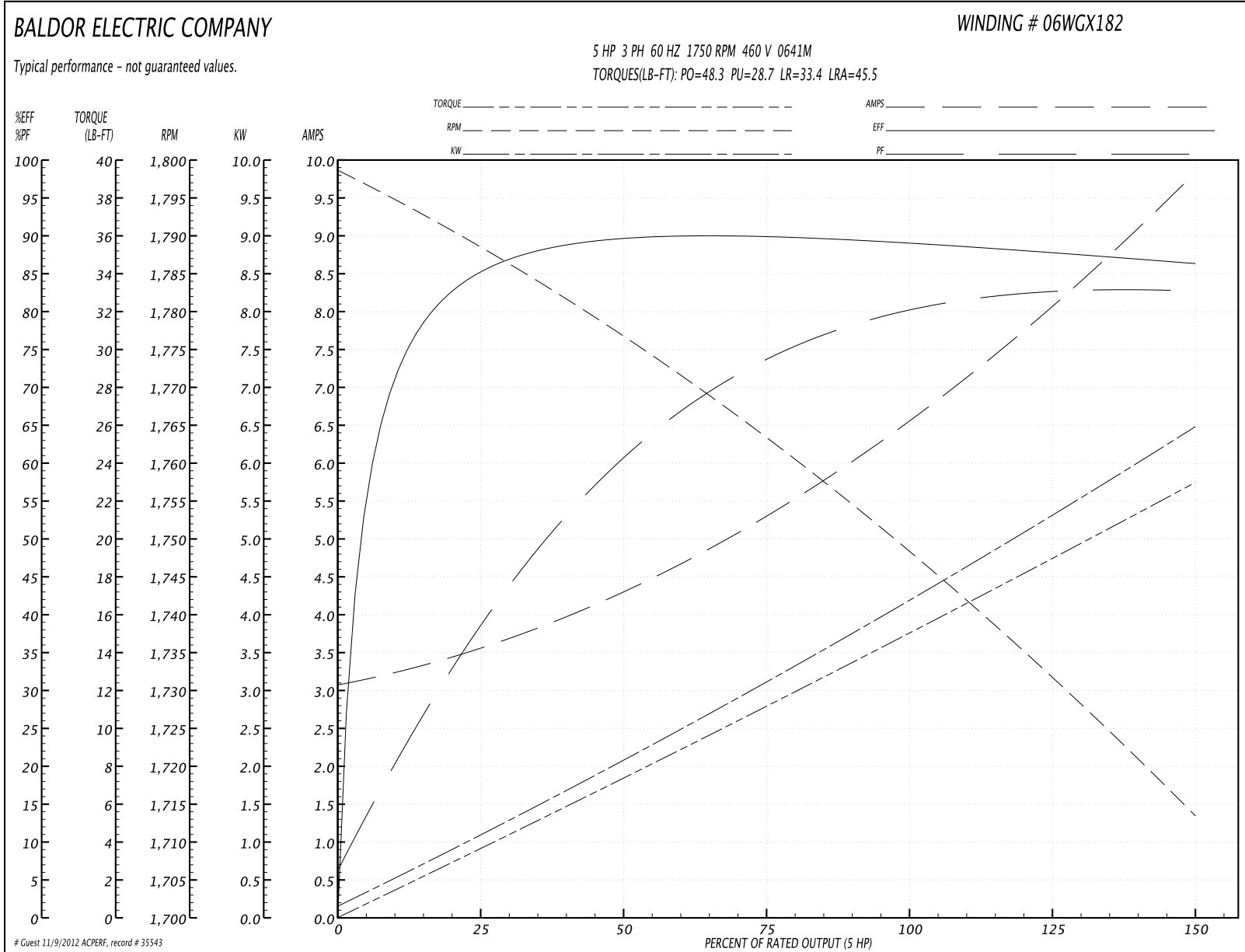
Parts List (continued)		
Part Number	Description	Quantity
06GS1003	GASKET, KOBX LID, 1/8" THICK BLACK NEOPR	1.000 EA
10XN2520A12	O1/4-20X 3/4 HEX HEAD CAP	2.000 EA
HW1001A25	LOCKWASHER 1/4, ZINC PLT .493 OD, .255 I	2.000 EA
HW2501E16	3KEY, 1/4 SQ X 1.750	1.000 EA
HA7000A02	KEY RETAINER RING, 1 1/8 DIA, 1 3/8 DIA	1.000 EA
HW4600B36SP	V-RING SLINGER 1.188 X 1.690 X 0.240	1.000 EA
MJ5001A01	46-665 RED SEALER	0.001 QT
85XU0407S04	4X1/4 U DRIVE PIN STAINLESS	2.000 EA
LB1115	LABEL,LIFTING DEVICE	1.000 EA
LB1002	LABEL,MARINE DUTY (ON ROLLS)	1.000 EA
LB1182	WARNING LABEL FOR MOTORS WITH EYENUTS	1.000 EA
MJ1000A75	GREASE, POLYREX EM EXXON	0.050 LB
MG1025Z20	ACTIVATOR WILKOFAS 060.32	0.010 GA
MG1025G29	PAINT 789.205 DARK GRAY METALLIC (USE W/	0.028 GA
LB1125C02	SUPER-E (STOCK CTN LABEL SUPER-E WITH FL	1.000 EA
LB1357	ENERGY GUIDE LABEL (BOX LABEL)	1.000 SH
LC0005E01	CONN.DIA./WARNING LABEL (LC0005/LB1119)	1.000 EA
NP1260E	SS CP SUPER-E UL CSA CC	1.000 EA
36PA1001	PACKAGING GROUP	1.000 EA

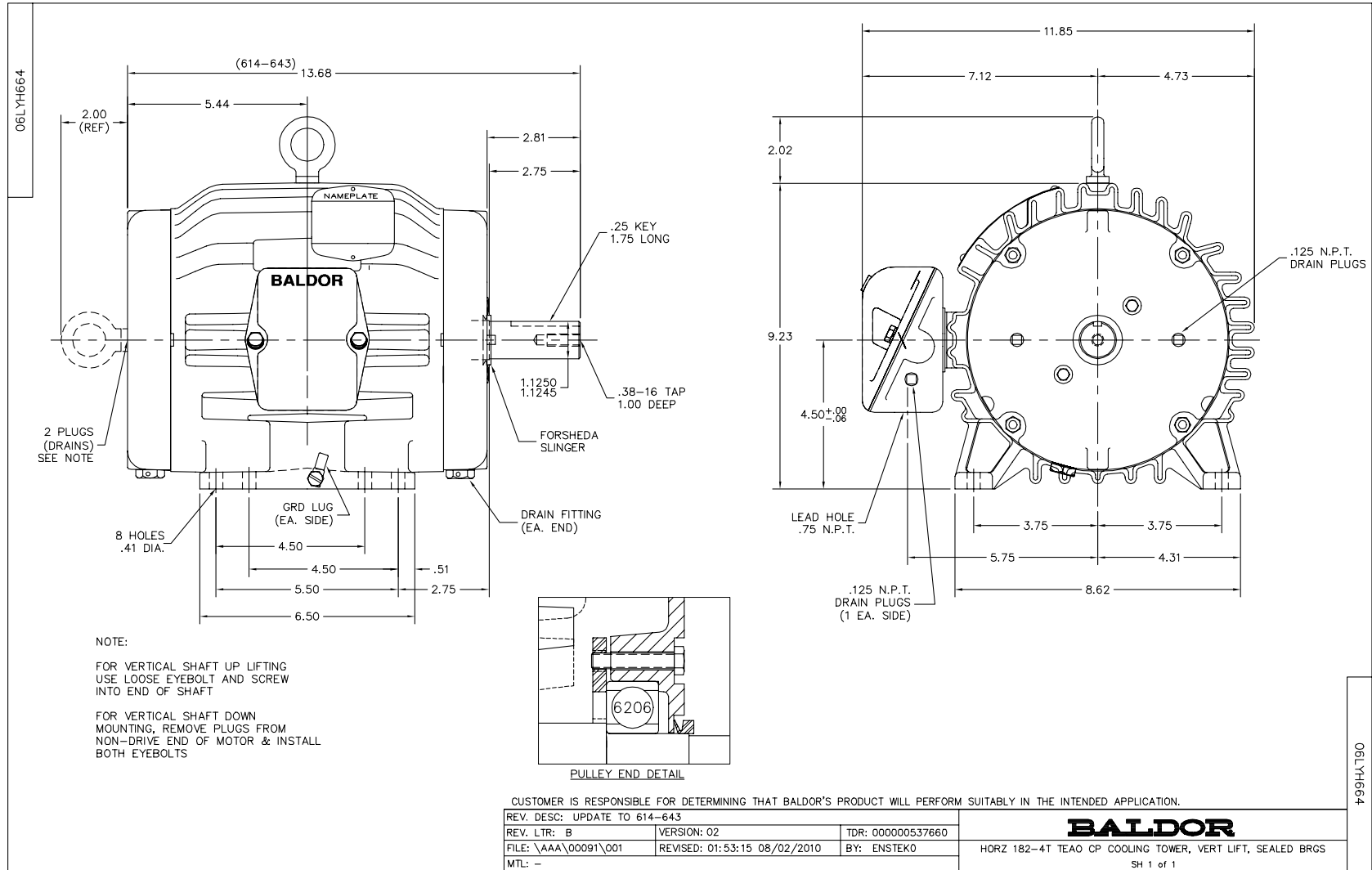
Performance Data at 460V, 60Hz, 5.0HP (Typical performance - Not guaranteed values)

General Characteristics			
Full Load Torque:	15.0 LB-FT	Start Configuration:	DOL
No-Load Current:	3.15 Amps	Break-Down Torque:	48.3 LB-FT
Line-line Res. @ 25°C.:	2.47 Ohms A Ph / 0.0 Ohms B Ph	Pull-Up Torque:	28.7 LB-FT
Temp. Rise @ Rated Load:	52 C	Locked-Rotor Torque:	33.4 LB-FT
Temp. Rise @ S.F. Load:	64 C	Starting Current:	45.5 Amps

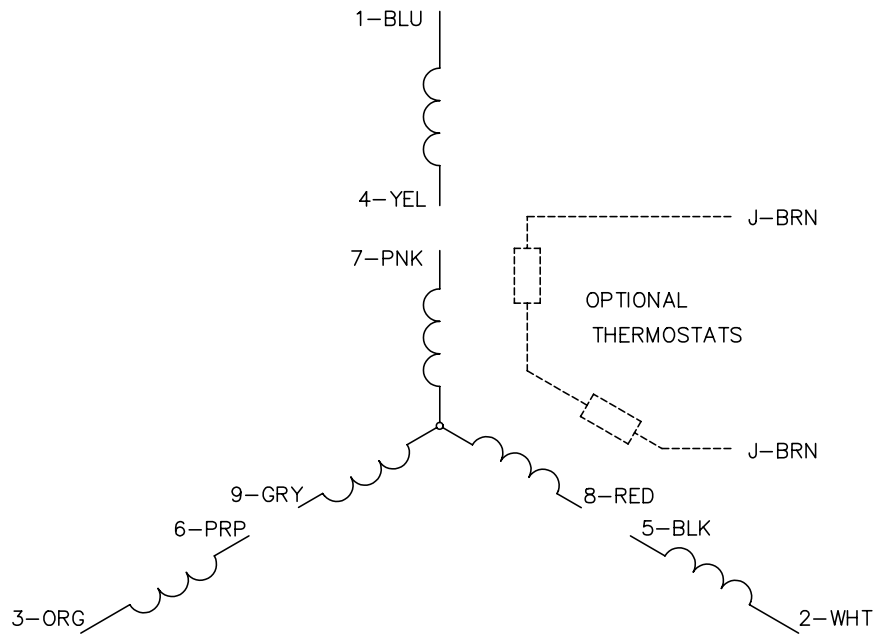
Load Characteristics							
% of Rated Load	25	50	75	100	125	150	S.F.
Power Factor:	41.0	62.0	74.0	79.0	82.0	83.0	81.0
Efficiency:	84.7	89.6	89.6	89.2	88.2	86.1	88.6
Speed:	1788.0	1776.0	1763.0	1749.0	1732.0	1713.0	1739.0
Line Amperes:	3.48	4.26	5.34	6.63	8.11	9.79	7.52

Performance Graph at 460V, 60Hz, 5.0HP Typical performance - Not guaranteed values

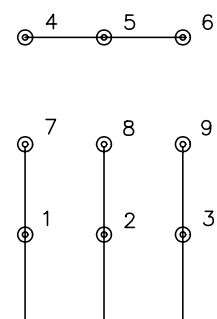




CD0005

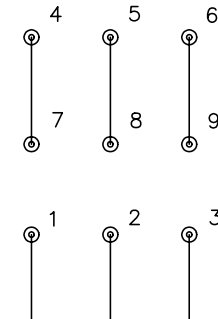


LOW VOLTAGE
(2Y)



LINE

HIGH VOLTAGE
(1Y)



LINE

NOTES:

1. INTERCHANGE ANY TWO LINE LEADS TO REVERSE ROTATION.
2. OPTIONAL THERMOSTATS ARE PROVIDED WHEN SPECIFIED.
3. ACTUAL NUMBER OF INTERNAL PARALLEL CIRCUITS MAY BE A MULTIPLE OF THOSE SHOWN ABOVE.
4. LEAD COLORS ARE OPTIONAL. LEADS MUST ALWAYS BE NUMBERED AS SHOWN.

REV. DESC: REVISE TO SHOW OPTIONAL COLORS			
REV. LTR: E	BY: JLP	REVISED: 01/19/99 10:15	TDR: 0171435
90000		FILE: AAA00005140	MDL: -
		MTL: -	

BALDOR ELECTRIC Co.

3PH, DV, 9 LEADS

CD0005