

BALDOR® • *RELIANCE*

Product Information Packet

ECTM3768T

5HP,1160RPM,3PH,60HZ,215T,0748M,TEAO,F1

Copyright © All product information within this document is subject to Baldor Electric Company copyright © protection, unless otherwise noted.

Part Detail							
Revision:	B	Status:	PRD/A	Change #:		Proprietary:	No
Type:	AC	Prod. Type:	0748M	Elec. Spec:	07WGX823	CD Diagram:	
Enclosure:	TEAO	Mfg Plant:		Mech. Spec:	07J564	Layout:	
Frame:	215T	Mounting:	F1	Poles:	06	Created Date:	07-13-2007
Base:	RG	Rotation:	R	Insulation:	F	Eff. Date:	10-24-2012
Leads:	9#14	Literature:		Elec. Diagram:		Replaced By:	

Nameplate NP1260E							
CAT.NO.	ECTM3768T						
SPEC.	07J564X823G1						
HP	5						
VOLTS	230/460						
AMP	14.6/7.3						
RPM	1160						
FRAME	215T	HZ	60	PH	3		
SER.F.	1.15	CODE	K	DES	A	CL	F
NEMA-NOM-EFF	90.2	PF	72				
RATING	40C AMB-CONT						
CC		USABLE AT 208V	15.8				
DE	6307	ODE	6206				
ENCL	TEAO	SN					
	1275 FPM AT 170CFM						

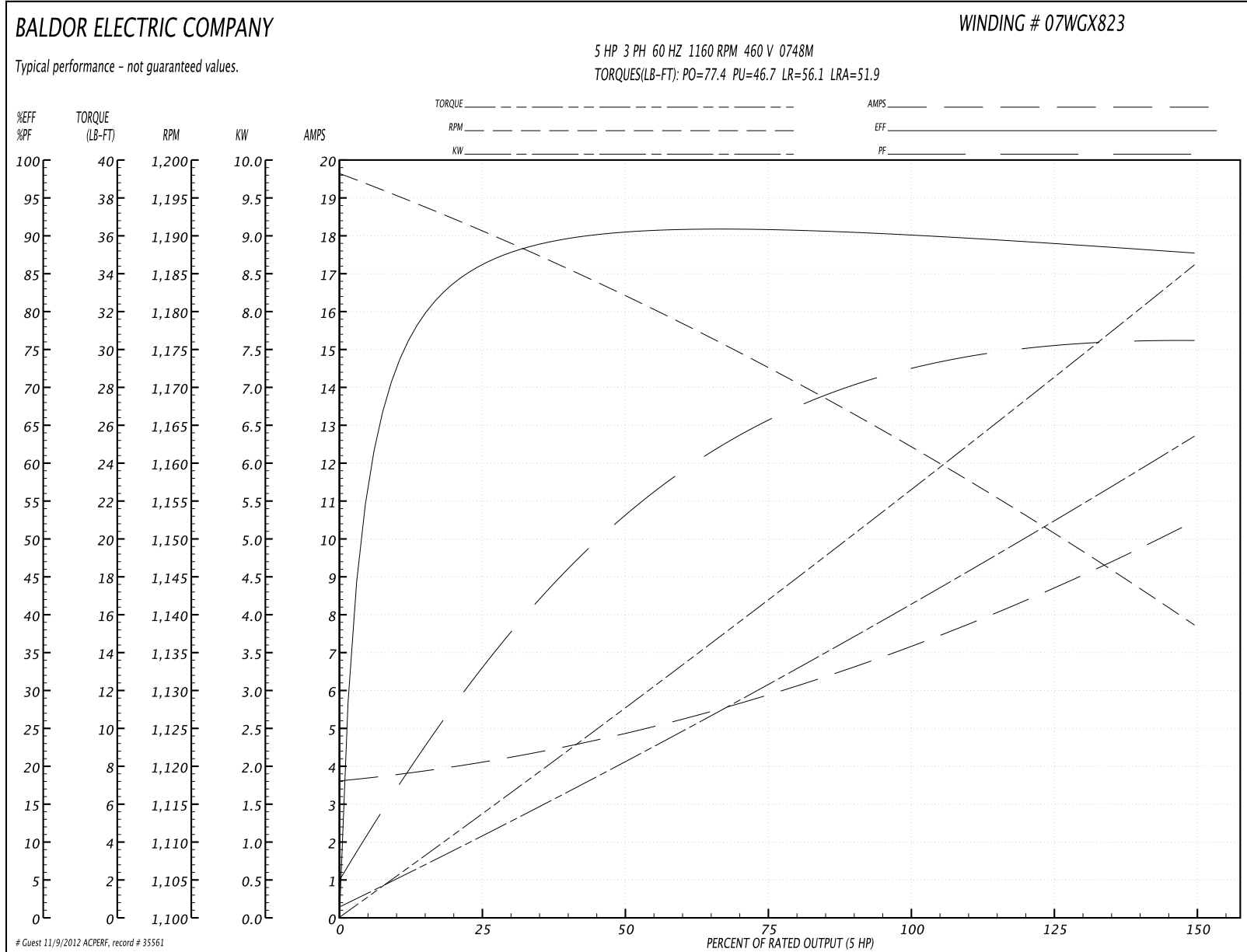
Parts List		
Part Number	Description	Quantity
SA160720	SA 07J564X823G1	1.000 EA
RA149305	RA 07J564X823G1	1.000 EA
S/P107-000-001	SUPER E PROC'S-FS & WS PLTS-POLYREX EM G	1.000 EA
HW3201A05	3/8-16 EYEBOLT	1.000 EA
HA7205	"L" SHAPE LIFTING LUG FOR 37,39 & 40 FRA	2.000 EA
09CB1002A26G	KOBX W/1.00 NPT LD HL .25-20 TAP FOR LID	1.000 EA
RM1017	LEAD SEPERATOR GASKET MODEL 307 1/8" THK	1.000 EA
51XW2520A12	.25-20 X .75, TAPTITE II, HEX WSHR SLTD	2.000 EA
11XW1032G06	10-32 X .38, TAPTITE II, HEX WSHR SLTD U	1.000 EA
HW3001B01	003SS CUP WASHER, FOR #8 SCREW	1.000 EA
HA4044A00	PLUG,PIPE 1/8 NPT PLASTIC SQUARE HEAD	2.000 EA
10XN2520S06	1/4 20X3/8 HX HD CAP S.S.	2.000 EA
WD1000B16	KPA-4C BURNDY TERMINAL	2.000 EA
37EP1100C42G	35 EP FR TENV 206 BRG NO GR SR .125 NPT(E	1.000 EA
HA4001A01SP	DRAIN PLUG, PLASTIC (MICRO PLAS)	1.000 EA
HA4044A00	PLUG,PIPE 1/8 NPT PLASTIC SQUARE HEAD	2.000 EA
HW5100A06	W2420-025 WVY WSHR (WB)	1.000 EA
37EP1101B75G	PUEP, 307 LOCK BRG, (3).125 NPT(GRAY)	1.000 EA
HA4001A01SP	DRAIN PLUG, PLASTIC (MICRO PLAS)	1.000 EA
HA4044A00	PLUG,PIPE 1/8 NPT PLASTIC SQUARE HEAD	2.000 EA
10XN2520A28	1/4-20X 1 3/4 HEX HD	2.000 EA
XY3118A12	5/16-18 HEX NUT DIRECTIONAL SERRATION	4.000 EA
12CB1503A01G	CONDUIT BOX LID, MACH, WITH LIP,GREY	1.000 EA
12GS1002	GASKET, CONDUIT BOX LID, NEOP	1.000 EA

Parts List (continued)		
Part Number	Description	Quantity
10XN2520A24	1/4-20X 1 1/2 HEX HD X	2.000 EA
HW1001A25	LOCKWASHER 1/4, ZINC PLT .493 OD, .255 I	2.000 EA
HW2501F21	KEY, 5/16 SQ X 2.375	1.000 EA
HA7000A02	KEY RETAINER RING, 1 1/8 DIA, 1 3/8 DIA	1.000 EA
HW4600B33	V-RING SLINGER 1.375 X 1.890 X 0.350	1.000 EA
MJ5001A01	46-665 RED SEALER	0.001 QT
85XU0407S04	4X1/4 U DRIVE PIN STAINLESS	2.000 EA
LB1115	LABEL,LIFTING DEVICE	1.000 EA
LB1002	LABEL,MARINE DUTY (ON ROLLS)	1.000 EA
LB1182	WARNING LABEL FOR MOTORS WITH EYENUTS	1.000 EA
MJ1000A75	GREASE, POLYREX EM EXXON	0.050 LB
HA3104A28	THRUBOLT .31-18 X 13.062	4.000 EA
MG1025Z20	ACTIVATOR WILKOFAS 060.32	0.010 GA
MG1025G29	PAINT 789.205 DARK GRAY METALLIC (USE W/	0.036 GA
LB1125C02	SUPER-E (STOCK CTN LABEL SUPER-E WITH FL	1.000 EA
LC0005E01	CONN.DIA./WARNING LABEL (LC0005/LB1119)	1.000 EA
NP1260E	SS CP SUPER-E UL CSA CC	1.000 EA
07PA1011	PKG GRP, 07 CAST IRON PK1181	1.000 EA
LB1357	ENERGY GUIDE LABEL (BOX LABEL)	1.000 SH

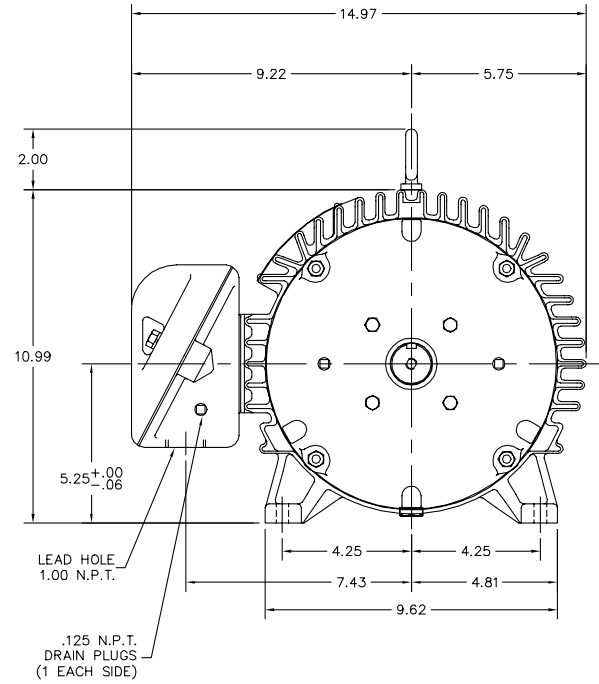
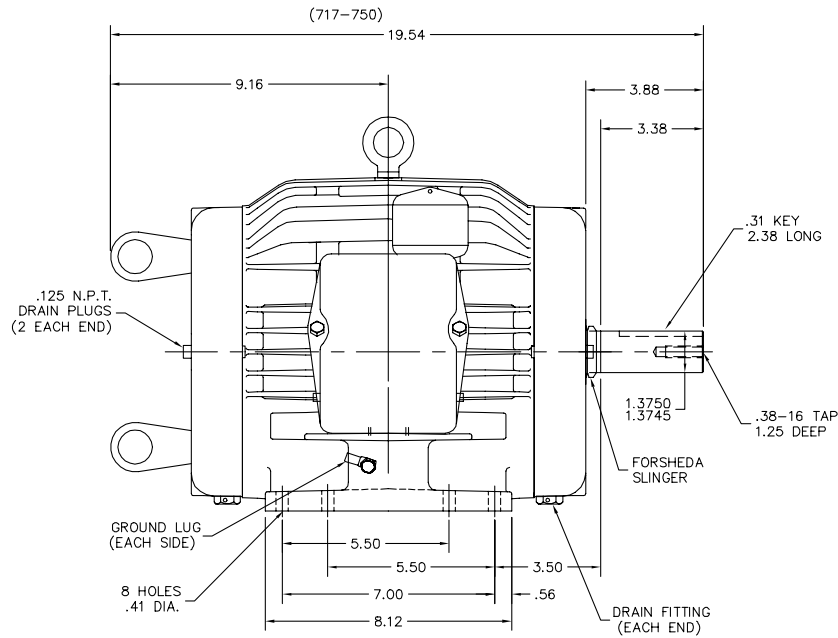
Performance Data at 460V, 60Hz, 5.0HP (Typical performance - Not guaranteed values)

General Characteristics							
Full Load Torque:	22.8 LB-FT			Start Configuration:	DOL		
No-Load Current:	3.7 Amps			Break-Down Torque:	77.4 LB-FT		
Line-line Res. @ 25°C.:	1.59 Ohms A Ph / 0.0 Ohms B Ph			Pull-Up Torque:	46.7 LB-FT		
Temp. Rise @ Rated Load:	50 C			Locked-Rotor Torque:	56.1 LB-FT		
Temp. Rise @ S.F. Load:	61 C			Starting Current:	51.9 Amps		
Load Characteristics							
% of Rated Load	25	50	75	100	125	150	S.F.
Power Factor:	34.0	54.0	65.0	72.0	75.0	77.0	74.0
Efficiency:	85.8	90.1	90.8	90.3	89.1	87.6	89.6
Speed:	1190.0	1181.0	1173.0	1163.0	1151.0	1138.0	1156.0
Line Amperes:	4.01	4.79	5.88	7.29	8.77	10.4	8.18

Performance Graph at 460V, 60Hz, 5.0HP Typical performance - Not guaranteed values



07LYJ564



NOTE:
FOR VERTICAL SHAFT UP LIFTING,
REMOVE EYE BOLT FROM TOP OF MOTOR
AND SCREW INTO END OF SHAFT

CUSTOMER IS RESPONSIBLE FOR DETERMINING THAT MOTOR PERFORMANCE IS SUITABLE IN THE APPLICATION.

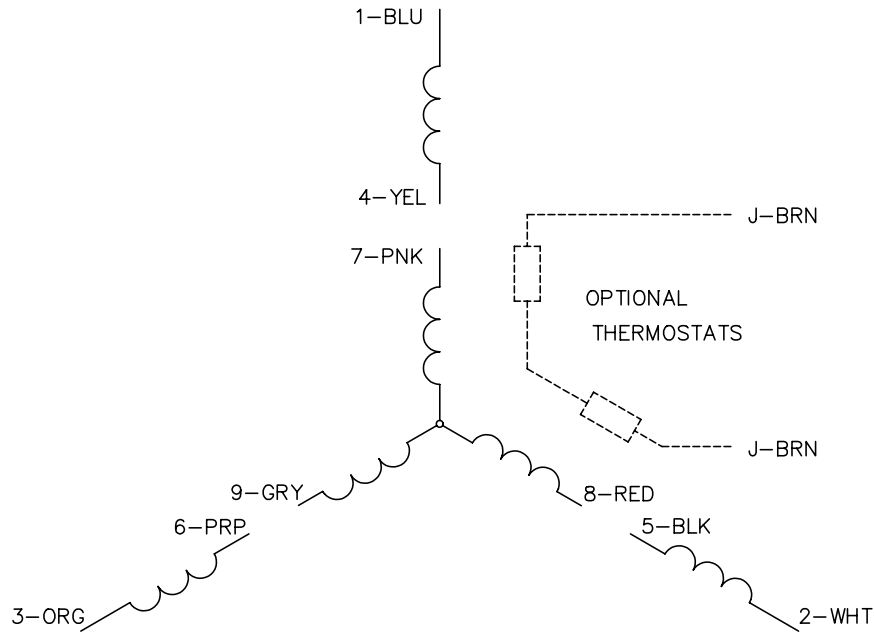
REV. DESC: REMOVE INPRO & ADD SLINGER; CHG TO SEALED BRGS	VERSION: 02	TDR: 000000387525
REV. LTR: B	REvised: 11:43:36 02/09/2006	BY: ENSTEKO
FILE: \AAA\00091\053		
MTL: -		

BALDOR ELECTRIC Co.

STD HORZ 213-5T TEAO CP COOLING TOWER, VERT LIFT,SEALED BRGS

07LYJ564

CD0005

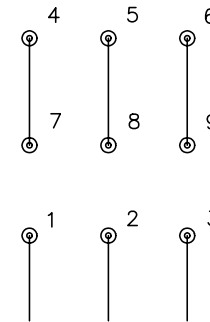


LOW VOLTAGE
(2Y)



LINE

HIGH VOLTAGE
(1Y)



LINE

NOTES:

1. INTERCHANGE ANY TWO LINE LEADS TO REVERSE ROTATION.
2. OPTIONAL THERMOSTATS ARE PROVIDED WHEN SPECIFIED.
3. ACTUAL NUMBER OF INTERNAL PARALLEL CIRCUITS MAY BE A MULTIPLE OF THOSE SHOWN ABOVE.
4. LEAD COLORS ARE OPTIONAL. LEADS MUST ALWAYS BE NUMBERED AS SHOWN.

REV. DESC: REVISE TO SHOW OPTIONAL COLORS			
REV. LTR: E	BY: JLP	REVISED: 01/19/99 10:15	TDR: 0171435
9000D		FILE: AAA00005140	MDL: -
		MTL: -	

BALDOR ELECTRIC Co.

3PH, DV, 9 LEADS

CD0005