

# **BALDOR**® • **RELIANCE**

## **Product Information Packet**

# **ECTM4100T**

**15 AIR OVERHP, 1180RPM, 3PH, 60HZ, 284T, 1042**

Copyright © All product information within this document is subject to Baldor Electric Company copyright © protection, unless otherwise noted.

Part Detail							
Revision:	B	Status:	PRD/A	Change #:		Proprietary:	No
Type:	AC	Prod. Type:	1042M	Elec. Spec:	10WGY709	CD Diagram:	
Enclosure:	TEAO	Mfg Plant:		Mech. Spec:	10G189	Layout:	
Frame:	284T	Mounting:	F1	Poles:	06	Created Date:	04-22-2010
Base:	RG	Rotation:	R	Insulation:	F	Eff. Date:	10-18-2011
Leads:	9#12	Literature:		Elec. Diagram:		Replaced By:	

**Nameplate NP1260E**

CAT.NO.	ECTM4100T						
SPEC.	10G189Y709G1						
HP	15 AIR OVER						
VOLTS	230/460						
AMP	40/20						
RPM	1180						
FRAME	284T	HZ	60	PH	3		
SER.F.	1.15	CODE	G	DES	B	CL	F
NEMA-NOM-EFF	91.7	PF	75				
RATING	40C AMB-CONT						
CC		USABLE AT 208V					
DE	6311	ODE	6309				
ENCL	TEAO	SN					
	2050 FPM @ 520CFM						

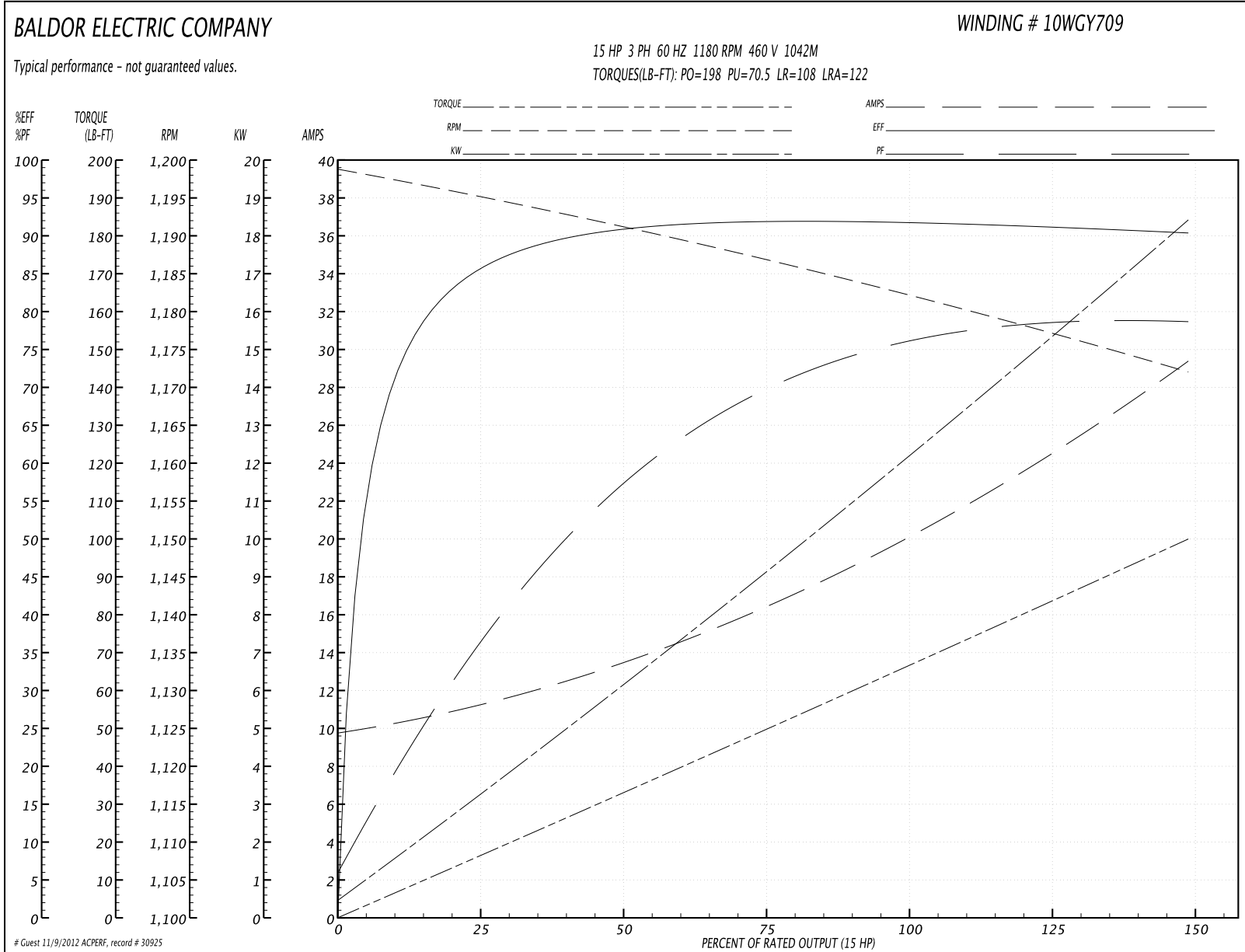
Parts List		
Part Number	Description	Quantity
SA193944	SA 10G189Y709G1	1.000 EA
RA181538	RA 10G189Y709G1	1.000 EA
S/P107-000-004	SUPER-E(284 FR. & UP)-CL PLANT,POLYREX E	1.000 EA
10CB1000A132P	SPL KOBX W/1.50 NPT LD & 2 .125 NPT DRAI	1.000 EA
HA4044A00	PLUG,PIPE 1/8 NPT PLASTIC SQUARE HEAD	2.000 EA
09GS1010	GASKET, DWG, LEADWIRE SEPERATOR	1.000 EA
10XN3118K16	5/16-18 X 1" GRADE #5, STL, ZINC PLATE	4.000 EA
HW1001A31	LOCKWASHER 5/16, ZINC PLT.591 OD, .319 I	4.000 EA
WD1000B16	KPA-4C BURNDY TERMINAL	1.000 EA
10XN2520K06	1/4-20 X 3/8" HX HD SCREWGRADE 5, ZINC P	1.000 EA
HW1001A25	LOCKWASHER 1/4, ZINC PLT .493 OD, .255 I	1.000 EA
10EP1104A25P	FR EP. MACH W/EPOXY PRIMER LESS GREASER	1.000 EA
HA7205	"L" SHAPE LIFTING LUG FOR 37,39 & 40 FRA	2.000 EA
10XN3816K28	3/8-16 X 1.75 HEX HD CAP SCREW, GRADE 5	4.000 EA
HW1001A38	LOCKWASHER 3/8, ZINC PLT .688 OD, .382 I	4.000 EA
HW1001A38	LOCKWASHER 3/8, ZINC PLT .688 OD, .382 I	4.000 EA
HW5100A11	W3917-042 WVY WSHR (WB)	1.000 EA
10EP1105A15P	PU EP. MACH W/EPOXY PRIMER, LESS GREASER	1.000 EA
10XN3816K28	3/8-16 X 1.75 HEX HD CAP SCREW, GRADE 5	4.000 EA
HW4600B40	V-RING SLINGER 2.000 X 2.680 X 0.280	1.000 EA
10XN3118K40	5/16-18 X 2.50" HEX HD, GRADE 5	4.000 EA
10CB1503A01P	CONDUIT BOX LIPPED LID, MACH W/EPXY PRMR	1.000 EA
14GS1003	GASKET CONDUIT BOX LID, NEOP	1.000 EA
10XN2520K16	1/4-20 X 1" HX HD SCRW GRADE 5, ZINC P	4.000 EA

Parts List (continued)		
Part Number	Description	Quantity
HW1001A25	LOCKWASHER 1/4, ZINC PLT .493 OD, .255 I	4.000 EA
HW2501H28	KEY, 1/2 SQ X 3.250	1.000 EA
MJ5001A01	46-665 RED SEALER	0.031 QT
MJ5001A14	DYNAPRO SEAL, CP MOTORS VC#2508050 (603	0.026 EA
LB1115	LABEL,LIFTING DEVICE	1.000 EA
LB1182	WARNING LABEL FOR MOTORS WITH EYENUTS	1.000 EA
LB1002	LABEL,MARINE DUTY (ON ROLLS)	1.000 EA
LB5040	INSTRUCTION TAG, AC & DC	1.000 EA
HA4001A01SP	DRAIN PLUG, PLASTIC (MICRO PLAS)	1.000 EA
MJ1000A75	GREASE, POLYREX EM EXXON	0.130 LB
HA4001A01SP	DRAIN PLUG, PLASTIC (MICRO PLAS)	1.000 EA
MG1025N19	PAINT, 778.50 WILKO, RELIANCE ELEC GREEN	0.070 GA
85XU0407S04	4X1/4 U DRIVE PIN STAINLESS	2.000 EA
LB1119	WARNING LABEL	1.000 EA
LB1125C02	SUPER-E (STOCK CTN LABEL SUPER-E WITH FL	4.000 EA
LB1357	ENERGY GUIDE LABEL (BOX LABEL)	1.000 SH
LC0181	CONNECTION LABEL	1.000 EA
NP1260E	SS CP SUPER-E UL CSA CC	1.000 EA
10PA1000	PACKAGING GROUP COMBINED PRINT PK1023A06	1.000 EA

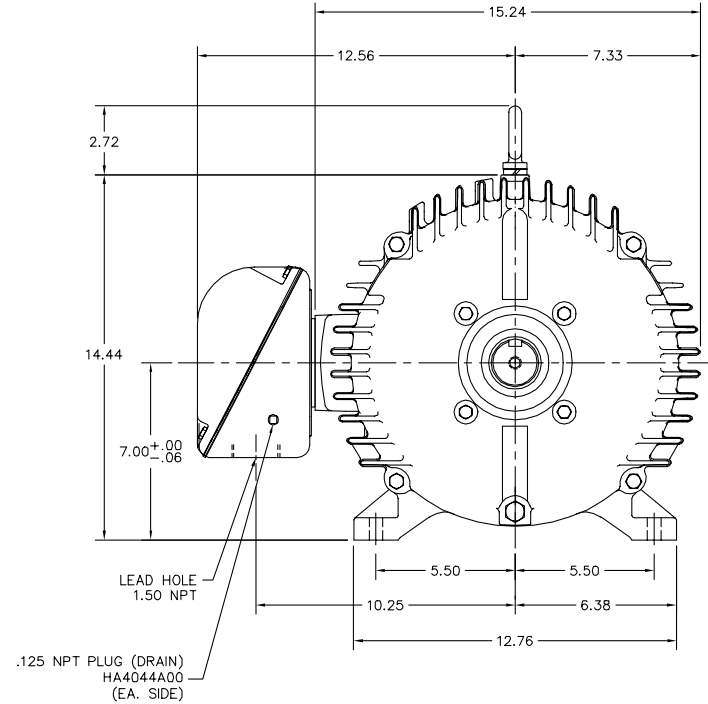
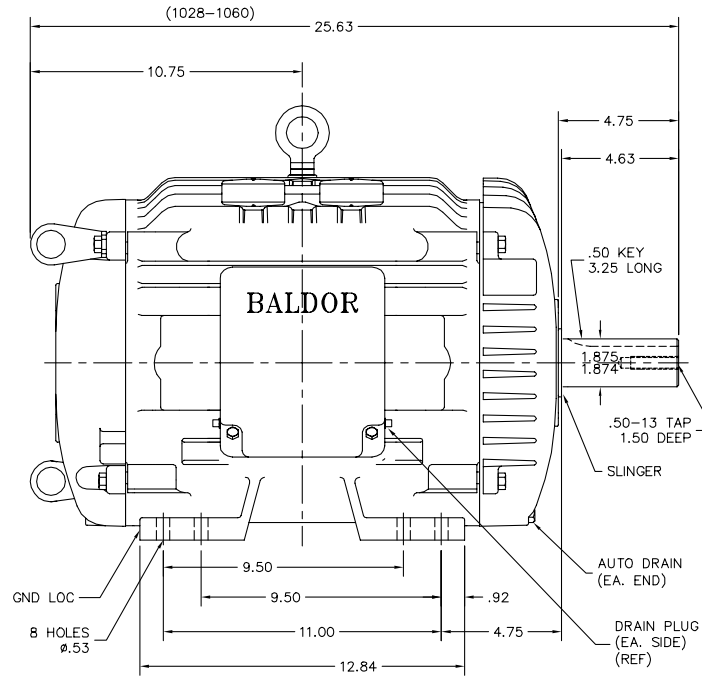
**Performance Data at 460V, 60Hz, 15.0HP (Typical performance - Not guaranteed values)**

General Characteristics							
Full Load Torque:	65.7 LB-FT			Start Configuration:	DOL		
No-Load Current:	10.0 Amps			Break-Down Torque:	198.0 LB-FT		
Line-line Res. @ 25°C.:	0.618 Ohms A Ph / 0.0 Ohms B Ph			Pull-Up Torque:	70.5 LB-FT		
Temp. Rise @ Rated Load:	48 C			Locked-Rotor Torque:	108.0 LB-FT		
Temp. Rise @ S.F. Load:	58 C			Starting Current:	122.0 Amps		
Load Characteristics							
% of Rated Load	25	50	75	100	125	150	S.F.
Power Factor:	37.0	58.0	69.0	75.0	78.0	79.0	77.0
Efficiency:	85.2	90.6	92.0	91.8	91.3	90.3	91.5
Speed:	1195.0	1191.0	1187.0	1183.0	1177.0	1172.0	1179.0
Line Amperes:	11.0	13.1	16.4	20.2	24.5	29.2	22.8

Performance Graph at 460V, 60Hz, 15.0HP Typical performance - Not guaranteed values



10LYG189



CUSTOMER ONLY NOTE: FOR VERTICAL SHAFT UP LIFTING, REMOVE EYEBOLT FROM TOP OF MOTOR AND SCREW INTO END OF SHAFT.

CUSTOMER IS RESPONSIBLE FOR DETERMINING THAT BALDOR'S PRODUCT WILL PERFORM SUITABLY IN THE INTENDED APPLICATION.

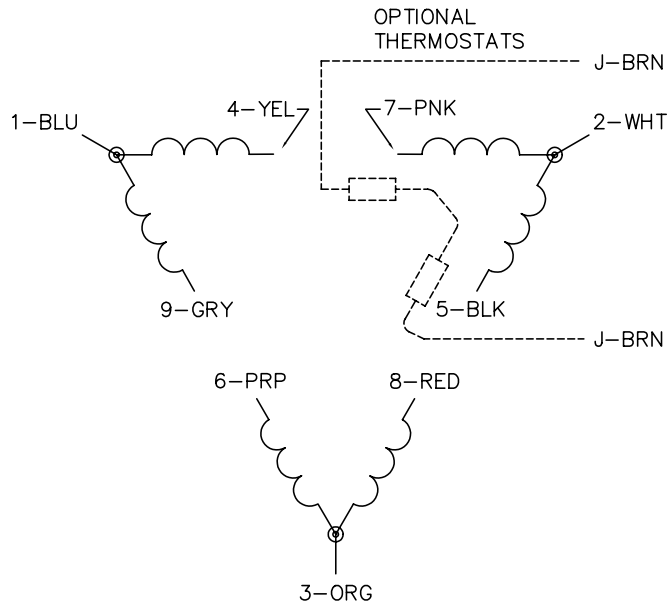
REV. DESC: UPDATE STACK RANGE TO 28 STACK	VERSION: 05	TDR: 000000539383
REV. LTR: E	REVISD: 01:47:03 05/05/2010	BY: ENDANRO
FILE: \AAA\00133\696		
MTL: -		

**BALDOR**

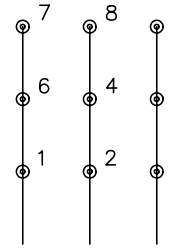
HORZ TEAO 284-6T CP, COOLING TOWER MTR, SLD BRGS, VERT LIFT  
SH 1 of 1

6819A701

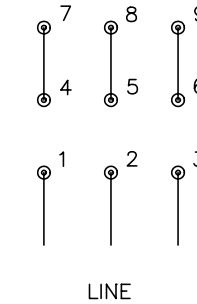
CD0180



LOW VOLTAGE  
(2D)



HIGH VOLTAGE  
(1D)



NOTES:

1. INTERCHANGE ANY TWO LINE LEADS TO REVERSE ROTATION.
2. OPTIONAL THERMOSTATS ARE PROVIDED WHEN SPECIFIED.
3. ACTUAL NUMBER OF INTERNAL PARALLEL CIRCUITS MAY BE A MULTIPLE OF THOSE SHOWN ABOVE.
4. LEAD COLORS ARE OPTIONAL. LEADS MUST ALWAYS BE NUMBERED AS SHOWN.

REV. DESC: REVISE TO SHOW OPTIONAL COLORS			
REV. LTR: C	BY: JLP	REVISED: 01/21/99 2:28	TDR: 0171435
0810D0		FILE: AAA00005148	MDL: -
		MTL: -	

**BALDOR ELECTRIC Co.**

3PH, DV, 9 LEADS, DELTA CONNECTION

CD0180