

BALDOR® • ***RELIANCE***

Product Information Packet

EHM2523T-8

15HP, 1765RPM, 3PH, 60HZ, 254T, 3938M, OPSB, F1

Copyright © All product information within this document is subject to Baldor Electric Company copyright © protection, unless otherwise noted.

| Part Detail | | | | | | | |
|-------------|------|-------------|-------|----------------|----------|---------------|------------|
| Revision: | C | Status: | PRD/A | Change #: | | Proprietary: | No |
| Type: | AC | Prod. Type: | 3938M | Elec. Spec: | 39WGX150 | CD Diagram: | |
| Enclosure: | OPSB | Mfg Plant: | | Mech. Spec: | 39R006 | Layout: | |
| Frame: | 254T | Mounting: | F1 | Poles: | 04 | Created Date: | 02-09-2010 |
| Base: | RG | Rotation: | R | Insulation: | F | Eff. Date: | 04-19-2012 |
| Leads: | 6#12 | Literature: | | Elec. Diagram: | | Replaced By: | |

Nameplate NP2094E06B03

| | | | | | | | |
|--------------|--------------|----------------|--|--|------|------|--------|
| CAT.NO. | EHM2523T-8 | | | | | | |
| SPEC. | 39R006X150G1 | | | | | | |
| HP | 15 | | | | | | |
| VOLTS | 200 | | | | | | |
| AMPS | 40.7 | | | | | | |
| RPM | 1765 | | | | | | |
| FRAME | 254T | HZ | | | 60 | PH | 3 |
| SER.F. | 1.15 | CODE | | | H | DES | B CL F |
| NEMA-NOM-EFF | 93 | PF | | | 85 | | |
| RATING | 40C AMB-CONT | | | | | | |
| CC | 010A | USABLE AT 208V | | | 40.7 | | |
| DE | 6309 | ODE | | | 6208 | | |
| AUTO | | MANUAL | | | | NONE | |
| ENCL | OPSB | SN | | | | | |
| BLANK | | | | | | | |

| Parts List | | |
|----------------|--|----------|
| Part Number | Description | Quantity |
| SA190727 | SA 39R006X150G1 | 1.000 EA |
| RA178396 | RA 39R006X150G1 | 1.000 EA |
| S/P107-000-006 | SUPER-E(284 FR. & UP)-ZK PLANT,POLYREX E | 1.000 EA |
| HA6361A01 | LIFTING LUG FOR 37, 39 & 40 FRAME (AUTOP | 2.000 EA |
| 39CB4000A01 | CONDUIT BOX 39, STAMPED | 1.000 EA |
| 19XW2520A08 | SCREW,1/4-20X1/2 TAPTITE-II OR ROLOC 91 | 2.000 EA |
| HW1001A25 | LOCKWASHER 1/4, ZINC PLT .493 OD, .255 I | 2.000 EA |
| WD1000B16 | KPA-4C BURNDY TERMINAL | 1.000 EA |
| 39EP3200A01SP | FR/PU ENDPLATE, MACH | 1.000 EA |
| HW4500A20 | 1/8NPT SL PIPE PLUG | 2.000 EA |
| HW5100A08 | W3118-035 WVY WSHR (WB) | 1.000 EA |
| 39EP3201A23 | PU ENDPLATE, MACH W/AEGIS SH RING MTG | 1.000 EA |
| HW4500A20 | 1/8NPT SL PIPE PLUG | 2.000 EA |
| 84XN0540J08 | 5-40 X 1/2" SHCS, BLACK OXIDE | 2.000 EA |
| XY3816A12 | 3/8-16 FINISHED NUT | 8.000 EA |
| 39CB4500A01 | CONDUIT BOX LID 39, STAMPED, AUTOPHORETI | 1.000 EA |
| 51XF1032A08 | 10/32X1/2 HXWSHR HD, SL, TYPE F ,SERATED | 2.000 EA |
| HW2501G25 | KEY, 3/8 SQ X 2.875 | 1.000 EA |
| 39AD2002A01 | BAFFLE PLATE 39 OPEN, SLOTTED BAND MTRS | 1.000 EA |
| MJ1000A75 | GREASE, POLYREX EM EXXON | 0.030 LB |
| 39AD2002A01 | BAFFLE PLATE 39 OPEN, SLOTTED BAND MTRS | 1.000 EA |
| HA3154A09 | TB STUD 3/8-16 X 16.25 | 4.000 EA |
| MG1000G27 | PAINT- S9282E CHARCOAL GREY | 0.050 GA |
| LB1125C02 | SUPER-E (STOCK CTN LABEL SUPER-E WITH FL | 4.000 EA |

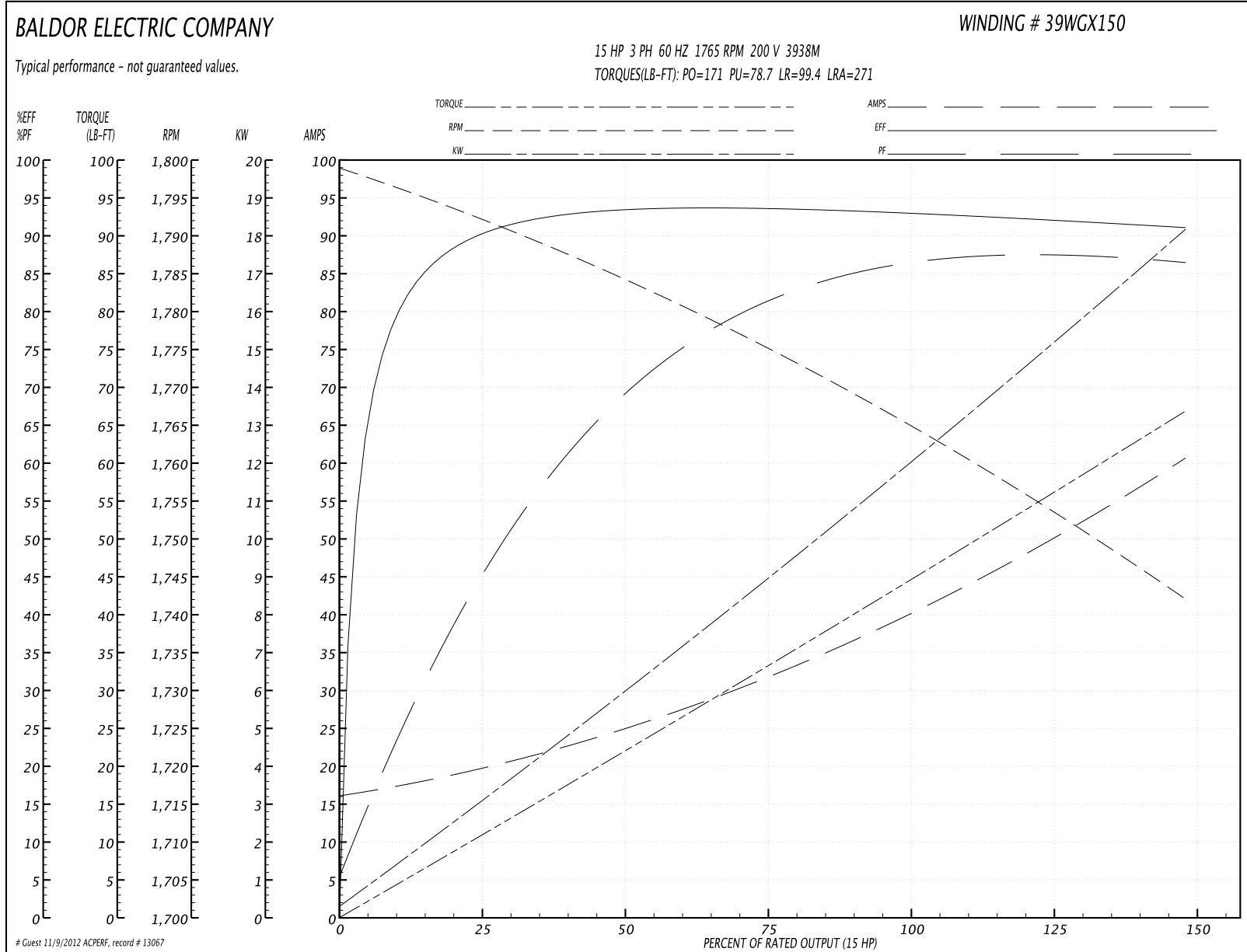
| Parts List (continued) | | |
|------------------------|--|----------|
| Part Number | Description | Quantity |
| LB1357 | ENERGY GUIDE LABEL (BOX LABEL) | 1.000 SH |
| LC0695 | CONNECTION LABEL | 1.000 EA |
| NP2094E06B03 | NP LABEL W/BARCODE (PREM EFF HVAC MTR) | 1.000 EA |
| 39PA1000 | PACKAGING GROUP 39 PRINT | 1.000 EA |

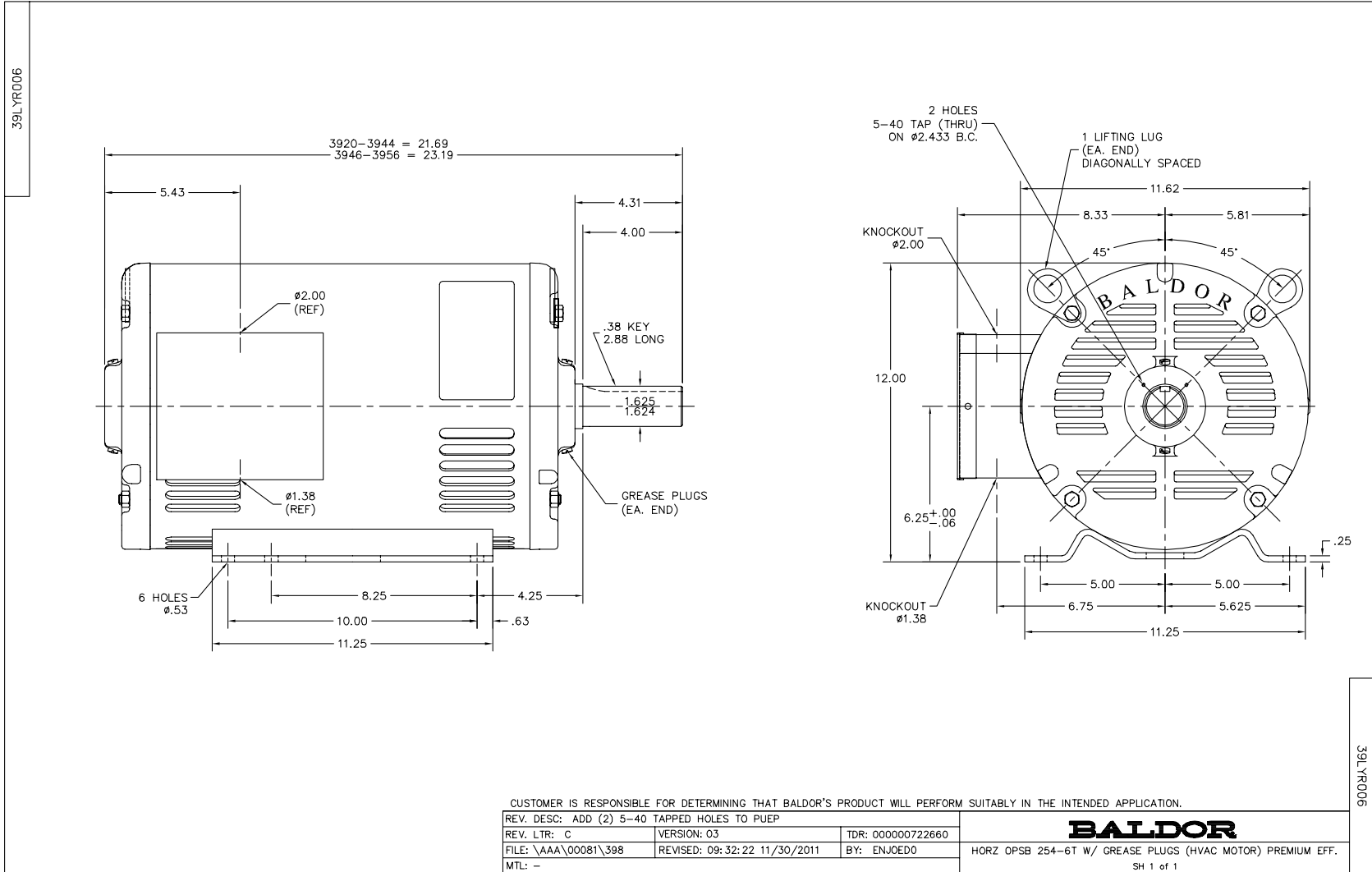
Performance Data at 200V, 60Hz, 15.0HP (Typical performance - Not guaranteed values)

| General Characteristics | | | |
|--------------------------|---------------------------------|----------------------|-------------|
| Full Load Torque: | 44.6 LB-FT | Start Configuration: | DOL |
| No-Load Current: | 16.7 Amps | Break-Down Torque: | 171.0 LB-FT |
| Line-line Res. @ 25°C.: | 0.116 Ohms A Ph / 0.0 Ohms B Ph | Pull-Up Torque: | 78.7 LB-FT |
| Temp. Rise @ Rated Load: | 22 C | Locked-Rotor Torque: | 99.4 LB-FT |
| Temp. Rise @ S.F. Load: | 29 C | Starting Current: | 271.0 Amps |

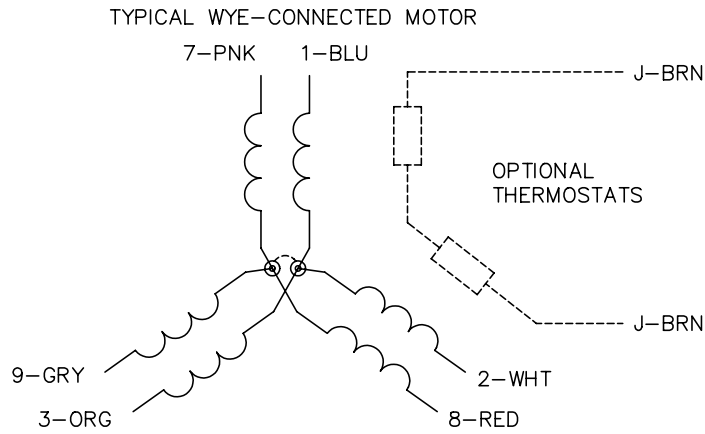
| Load Characteristics | | | | | | | |
|----------------------|--------|--------|--------|--------|--------|--------|--------|
| % of Rated Load | 25 | 50 | 75 | 100 | 125 | 150 | S.F. |
| Power Factor: | 47.0 | 70.0 | 81.0 | 86.0 | 88.0 | 89.0 | 87.0 |
| Efficiency: | 90.1 | 93.3 | 93.5 | 93.1 | 92.2 | 91.0 | 92.6 |
| Speed: | 1792.0 | 1784.0 | 1775.0 | 1765.0 | 1754.0 | 1742.0 | 1758.0 |
| Line Amperes: | 19.0 | 24.7 | 32.2 | 40.6 | 50.0 | 60.3 | 46.3 |

Performance Graph at 200V, 60Hz, 15.0HP Typical performance - Not guaranteed values

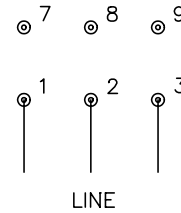




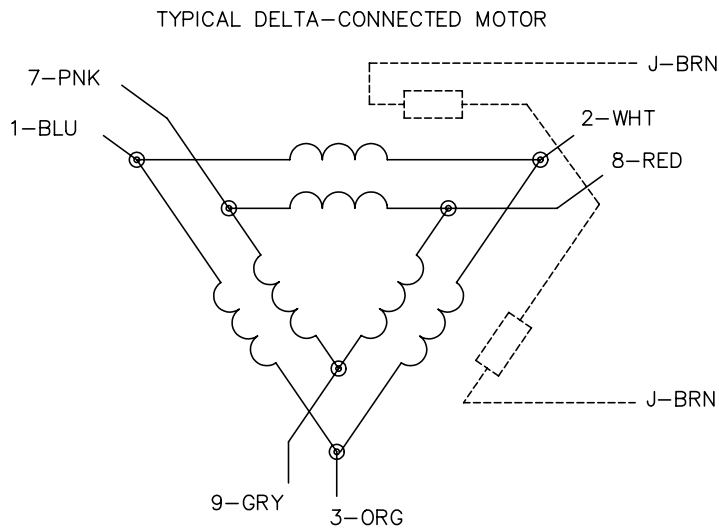
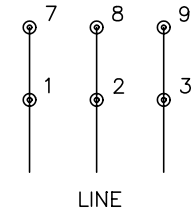
CD0695



START CONNECTION



RUN CONNECTION



NOTES:

1. MOTOR MAY BE WYE CONNECTED OR DELTA CONNECTED.
2. INTERCHANGE ANY TWO LINE LEADS TO REVERSE ROTATION.
3. OPTIONAL THERMOSTATS ARE PROVIDED WHEN SPECIFIED.
4. ACTUAL NUMBER OF INTERNAL PARALLEL CIRCUITS MAY VARY.
5. LEAD COLORS ARE OPTIONAL. LEADS MUST ALWAYS BE NUMBERED AS SHOWN.

| | | | |
|---|---------|------------------------|--------------|
| REV. DESC: REVISE TO SHOW OPTIONAL COLORS | | | |
| REV. LTR: C | BY: JLP | REVISED: 01/21/99 3:19 | TDR: 0171435 |
| 969000 | | FILE: AAA00005151 | MDL: - |
| | | MTL: - | |

BALDOR ELECTRIC Co.

3PH, SV, 6 LEADS, PART WINDING START

CD0695