

BALDOR® • **RELIANCE**

Product Information Packet

EHM2539T-8

40HP, 1775RPM, 3PH, 60HZ, 324T, 4250M, OPSB, F1

Copyright © All product information within this document is subject to Baldor Electric Company copyright © protection, unless otherwise noted.

Part Detail							
Revision:	J	Status:	PRD/A	Change #:		Proprietary:	No
Type:	AC	Prod. Type:	4250M	Elec. Spec:	42WGW530	CD Diagram:	
Enclosure:	OPSB	Mfg Plant:		Mech. Spec:	42H068	Layout:	
Frame:	324T	Mounting:	F1	Poles:	04	Created Date:	10-07-2010
Base:	RG	Rotation:	R	Insulation:	F	Eff. Date:	04-19-2012
Leads:	3#4	Literature:		Elec. Diagram:		Replaced By:	

Nameplate NP2094E06B03

CAT.NO.	EHM2539T-8						
SPEC.	42H068W530G1						
HP	40						
VOLTS	200						
AMPS	108						
RPM	1775						
FRAME	324T	HZ	60	PH	3		
SER.F.	1.15	CODE	F	DES	B	CL	F
NEMA-NOM-EFF	94.1	PF	85				
RATING	40C AMB-CONT						
CC	010A	USABLE AT 208V					
DE	6312	ODE	6311				
AUTO		MANUAL		NONE			
ENCL	OPSB	SN					
BLANK							

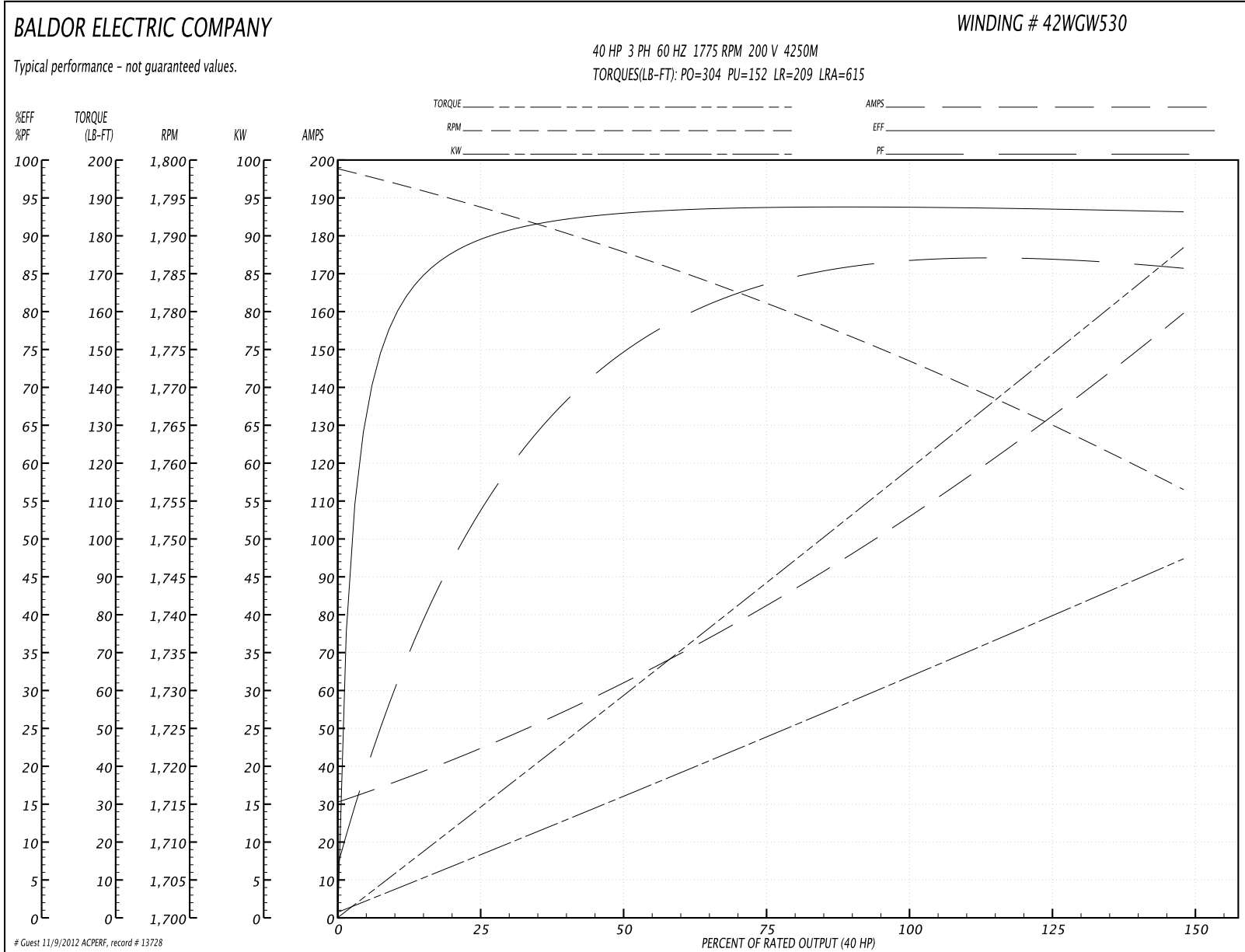
Parts List		
Part Number	Description	Quantity
SA204668	SA 42H068W530G1	1.000 EA
RA191912	RA 42H068W530G1	1.000 EA
S/P107-000-004	SUPER-E(284 FR. & UP)-CL PLANT,POLYREX E	1.000 EA
HA6360	LIFTING LUG FOR 42 FRAME MOTORS.	2.000 EA
42CB4000A01	CONDUIT BOX 40, STAMPED	1.000 EA
19XW2520A08	SCREW,1/4-20X1/2 TAPTITE-II OR ROLOC 91	2.000 EA
HW1001A25	LOCKWASHER 1/4, ZINC PLT .493 OD, .255 I	2.000 EA
WD1000B16	KPA-4C BURNDY TERMINAL	1.000 EA
42EP3200A01	FR ENDPLATE, MACH 324-6T	1.000 EA
HW5100A13	W4627-047 WVY WSHER	1.000 EA
42EP3200B13	PUEP, MACH FOR 1/2 SH GND MTG	1.000 EA
XY5013A12	NUT,1/2-13,HEX,STEEL,ZINCPLATED	8.000 EA
42CB4500A01	CONDUIT BOX LID 42, STAMPED, AUTOPHORETI	1.000 EA
51XF2520A08	SCREW, HEX SER SLT HD, ZN 1/4-20 X .50 L	2.000 EA
HW2501H33	KEY, 1/2 SQ X 3.875	1.000 EA
84XN0540J08	5-40 X 1/2" SHCS, BLACK OXIDE	2.000 EA
LB5040	INSTRUCTION TAG, AC & DC	1.000 EA
HW4500A20	1/8NPT SL PIPE PLUG	2.000 EA
MJ1000A75	GREASE, POLYREX EM EXXON	0.030 LB
HW4500A20	1/8NPT SL PIPE PLUG	2.000 EA
MG1000G27	PAINT- S9282E CHARCOAL GREY	0.080 GA
HA3151A02	THRUBOLT STUD 1/2-13 X 19.25	4.000 EA
42AD2001A01	BAFFLE PLATE 42 OPEN, SLOTTED BAND MTRS	1.000 EA
42AD2001A01	BAFFLE PLATE 42 OPEN, SLOTTED BAND MTRS	1.000 EA

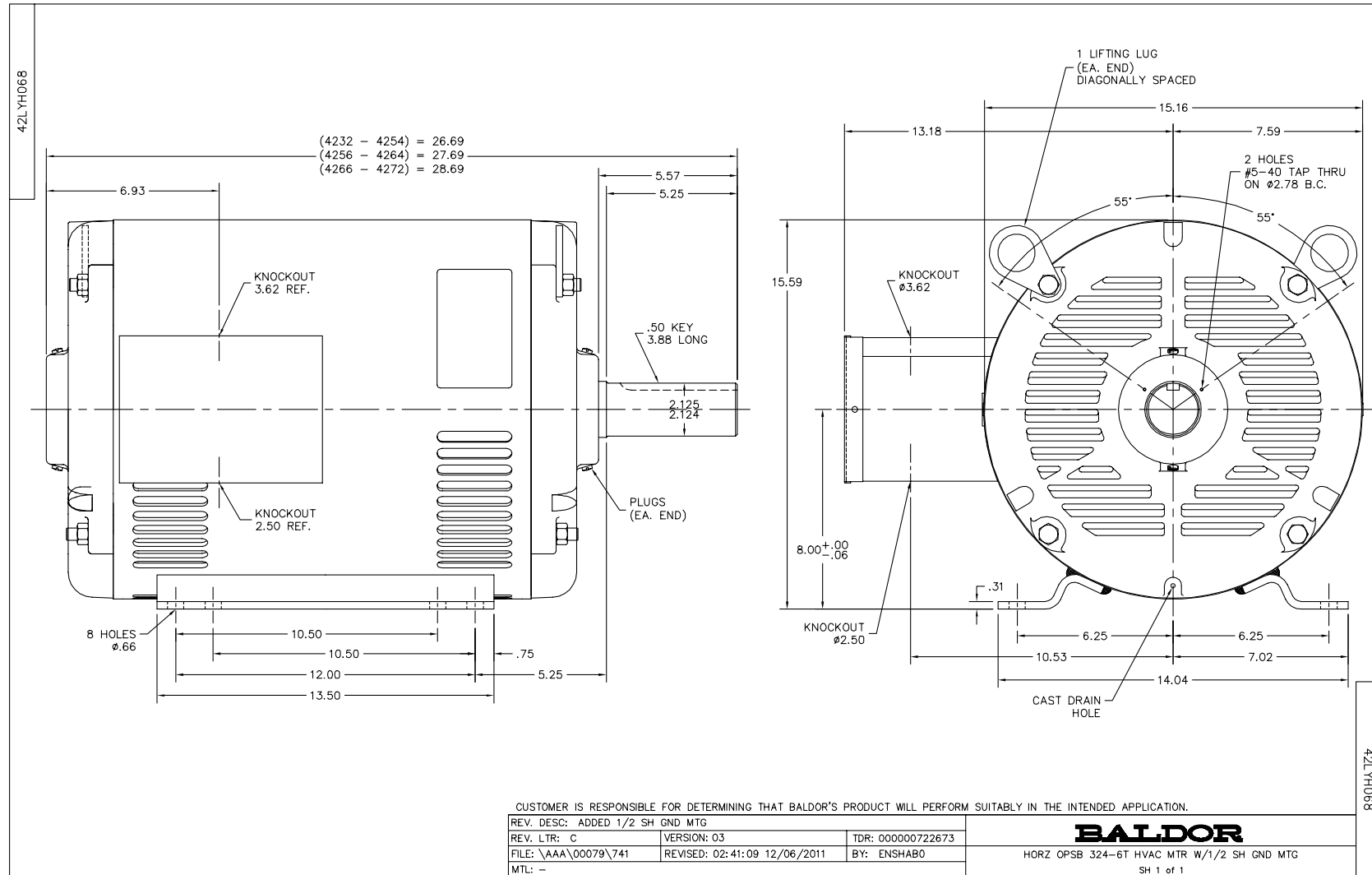
Parts List (continued)		
Part Number	Description	Quantity
LB1125C02	SUPER-E (STOCK CTN LABEL SUPER-E WITH FL	4.000 EA
LB1357	ENERGY GUIDE LABEL (BOX LABEL)	1.000 SH
LC0006	CONNECTION LABEL	1.000 EA
NP2094E06B03	NP LABEL W/BARCODE (PREM EFF HVAC MTR)	1.000 EA
40PA1000	PACKAGING GROUP	1.000 EA

Performance Data at 200V, 60Hz, 40.0HP (Typical performance - Not guaranteed values)

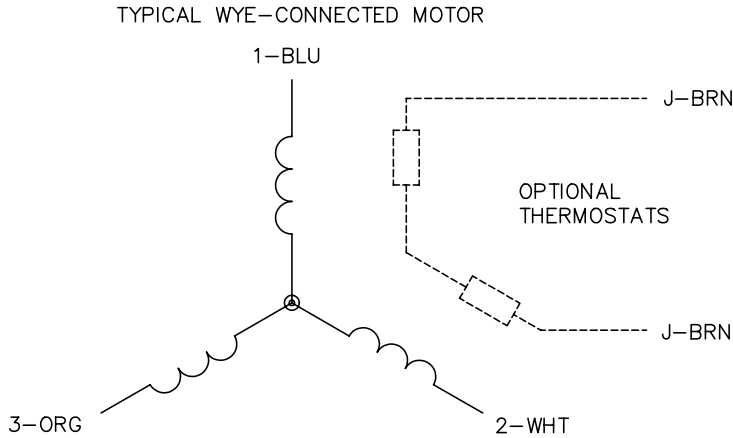
General Characteristics							
Full Load Torque:	118.0 LB-FT			Start Configuration:	DOL		
No-Load Current:	31.5 Amps			Break-Down Torque:	304.0 LB-FT		
Line-line Res. @ 25°C.:	0.0333 Ohms A Ph / 0.0 Ohms B Ph			Pull-Up Torque:	152.0 LB-FT		
Temp. Rise @ Rated Load:	27 C			Locked-Rotor Torque:	209.0 LB-FT		
Temp. Rise @ S.F. Load:	33 C			Starting Current:	615.0 Amps		
Load Characteristics							
% of Rated Load	25	50	75	100	125	150	S.F.
Power Factor:	55.0	76.0	85.0	84.0	87.0	86.0	86.0
Efficiency:	90.3	93.6	92.4	94.3	93.8	93.0	94.0
Speed:	1794.0	1787.0	1781.0	1774.0	1766.0	1756.0	1769.0
Line Amperes:	44.0	61.0	82.0	108.0	131.0	159.0	121.8

Performance Graph at 200V, 60Hz, 40.0HP Typical performance - Not guaranteed values





CD0006



NOTES:

1. THREE LEAD MOTOR MAY BE EITHER WYE CONNECTED OR DELTA CONNECTED.
2. INTERCHANGE ANY TWO LINE LEADS TO REVERSE ROTATION.
3. OPTIONAL THERMOSTATS ARE PROVIDED WHEN SPECIFIED.
4. ACTUAL NUMBER OF INTERNAL PARALLEL CIRCUITS MAY VARY.
5. LEAD COLORS ARE OPTIONAL. LEADS MUST BE NUMBERED AS SHOWN.

REV. DESC: REVISE TO SHOW OPTIONAL COLORS			
REV. LTR: D	BY: JLP	REVISED: 01/21/99 4:02	TDR: 0171435
9000D		FILE: AAA00005141	MDL: -
		MTL: -	

BALDOR ELECTRIC Co.

3PH, SV, 3 LEADS, WYE OR DELTA CONNECTED

CD0006