

# **BALDOR® • RELIANCE**

## **Product Information Packet**

### **EHM2551T**

**75HP, 1775RPM, 3PH, 60HZ, 365T, 4462M, OPSB, F1**

Copyright © All product information within this document is subject to Baldor Electric Company copyright © protection, unless otherwise noted.

Part Detail							
Revision:	P	Status:	PRD/A	Change #:		Proprietary:	No
Type:	AC	Prod. Type:	4462M	Elec. Spec:	44WGW013	CD Diagram:	
Enclosure:	OPSB	Mfg Plant:		Mech. Spec:	44E125	Layout:	
Frame:	365T	Mounting:	F1	Poles:	04	Created Date:	
Base:	RG	Rotation:	R	Insulation:	F	Eff. Date:	06-22-2012
Leads:	9#6	Literature:		Elec. Diagram:		Replaced By:	

Nameplate NP2094E06B03										
CAT.NO.	EHM2551T									
SPEC.	44E125W013G1									
HP	75									
VOLTS	230/460									
AMPS	174/87									
RPM	1775									
FRAME	365T	HZ				60	PH	3		
SER.F.	1.15	CODE				G	DES	B	CL	F
NEMA-NOM-EFF	95	PF				85				
RATING	40C AMB-CONT									
CC	010A	USABLE AT 208V								
DE	6313	ODE				6312				
AUTO		MANUAL					NONE			
ENCL	OPSB	SN								
BLANK										

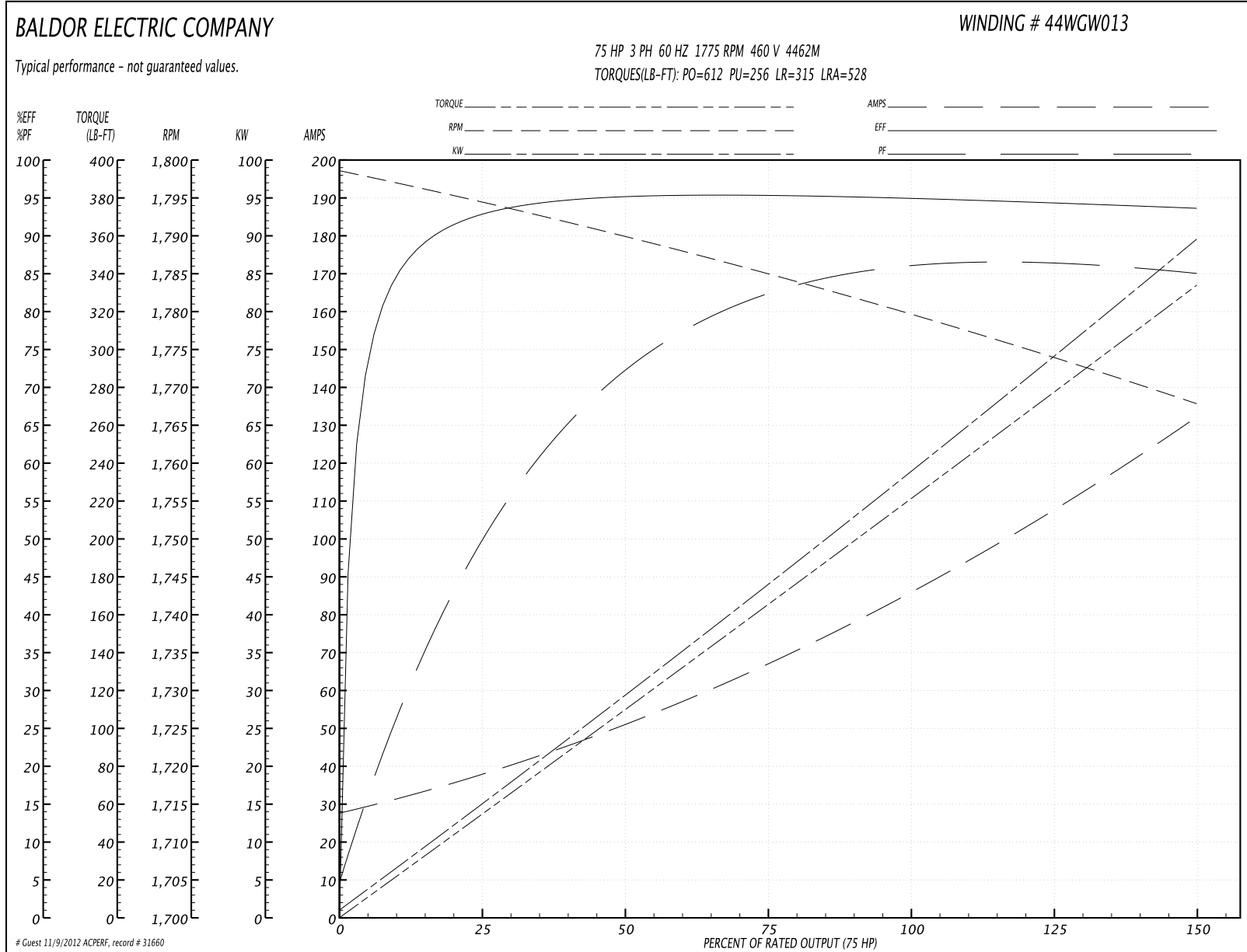
Parts List		
Part Number	Description	Quantity
SA144559	SA 44E125W013G1	1.000 EA
RA133747	RA 44E125W013G1	1.000 EA
S/P107-000-004	SUPER-E(284 FR. & UP)-CL PLANT,POLYREX E	1.000 EA
HA6731	LIFTING LUG FOR 44 FRAME MOTORS.	2.000 EA
HA6616A01	CAST ADAPTOR, 44 FRAME - NEMA 364-5 - MA	1.000 EA
19XW3816A12	.38-16 X .75 HEX WASHER HEAD TAPTITE II	2.000 EA
HW1001A38	LOCKWASHER 3/8, ZINC PLT .688 OD, .382 I	2.000 EA
10CB3002A02	CB 309 3.62 LD HOLE, .38 MTG HOLE & 3.50	1.000 EA
19XW3118A16	.31-18 HEX WASHER HEAD TAPTITE II 1.00 L	4.000 EA
HW1001A31	LOCKWASHER 5/16, ZINC PLT.591 OD, .319 I	4.000 EA
WD1000B16	KPA-4C BURNDY TERMINAL	1.000 EA
51XF2520A08	SCREW, HEX SER SLT HD, ZN 1/4-20 X .50 L	1.000 EA
44EP1203A02	FREP, MACH	1.000 EA
HW5100A15	W4997-050 WVY WSHR (WB)	1.000 EA
44EP1203A42	PU ENDPLATE, MACH	1.000 EA
10XN3816K48	3/8-16 X 3 HEX HD CAP SCREW,Z/P	4.000 EA
HW1001A38	LOCKWASHER 3/8, ZINC PLT .688 OD, .382 I	4.000 EA
XY5013A12	NUT,1/2-13,HEX,STEEL,ZINCPLATED	8.000 EA
84XN0540J08	5-40 X 1/2" SHCS, BLACK OXIDE	2.000 EA
10CB3500SP	CONDUIT BOX LID, CAST	1.000 EA
51XW2520A12	SCREW, HEX SER SLT HD, ZN, 1/4-20 X .75	4.000 EA
HW2501J36	KEY, 5/8 SQ X 4.250	1.000 EA
LB5040	INSTRUCTION TAG, AC & DC	1.000 EA
HW4500A20	1/8NPT SL PIPE PLUG	2.000 EA

Parts List (continued)		
Part Number	Description	Quantity
MJ1000A75	GREASE, POLYREX EM EXXON	0.030 LB
HW4500A20	1/8NPT SL PIPE PLUG	2.000 EA
MG1000G27	PAINT- S9282E CHARCOAL GREY	0.080 GA
HA3175A02	THRUBOLT STUD 1/2-13 X 24.500 - GRADE 2	4.000 EA
44AD2003C01	BAFFLE PLATE 44 OPSB, "X" = .530, "Y" =	1.000 EA
LB1125C02	SUPER-E (STOCK CTN LABEL SUPER-E WITH FL	4.000 EA
LB1357	ENERGY GUIDE LABEL (BOX LABEL)	1.000 SH
44AD2003C01	BAFFLE PLATE 44 OPSB, "X" = .530, "Y" =	1.000 EA
LC0181	CONNECTION LABEL	1.000 EA
NP2094E06B03	NP LABEL W/BARCODE (PREM EFF HVAC MTR)	1.000 EA
44PA1000	PK GP COMB PRINT 39-3/8X31X23-7/8	1.000 EA

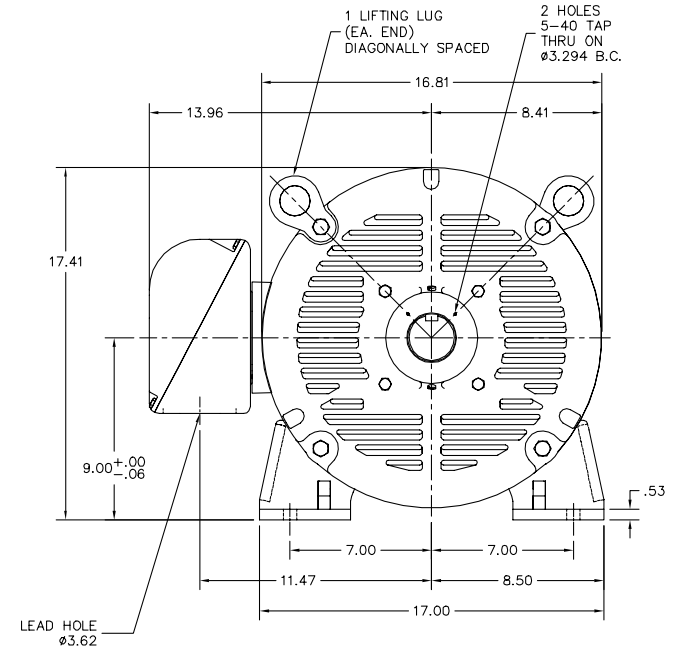
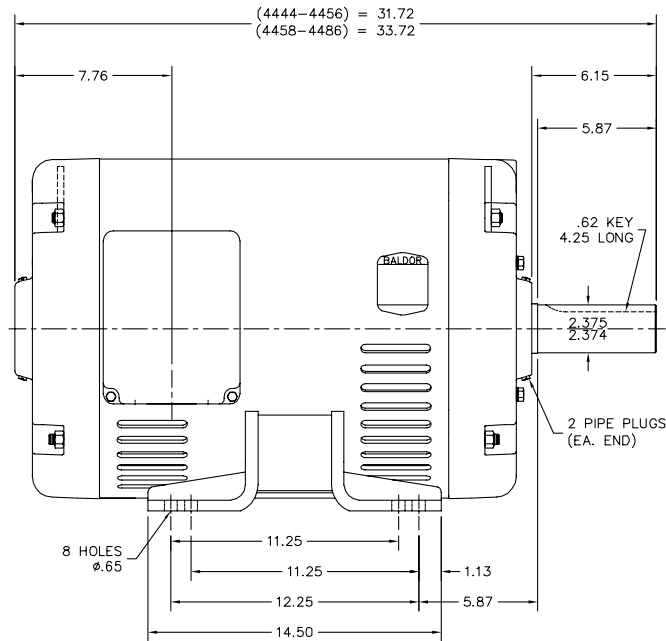
**Performance Data at 460V, 60Hz, 75.0HP (Typical performance - Not guaranteed values)**

General Characteristics							
Full Load Torque:	222.0 LB-FT			Start Configuration:	DOL		
No-Load Current:	29.2 Amps			Break-Down Torque:	612.0 LB-FT		
Line-line Res. @ 25°C.:	0.082554 Ohms A Ph / 0.0 Ohms B Ph			Pull-Up Torque:	256.0 LB-FT		
Temp. Rise @ Rated Load:	29 C			Locked-Rotor Torque:	315.0 LB-FT		
Temp. Rise @ S.F. Load:	36 C			Starting Current:	528.0 Amps		
Load Characteristics							
% of Rated Load	25	50	75	100	125	150	S.F.
Power Factor:	53.0	74.0	82.0	85.0	86.0	86.0	86.0
Efficiency:	93.0	95.2	95.4	95.1	94.5	93.8	94.7
Speed:	1794.0	1789.7	1785.1	1779.9	1773.9	1767.7	1776.0
Line Amperes:	36.0	50.0	67.7	87.1	109.0	131.0	100.0

Performance Graph at 460V, 60Hz, 75.0HP Typical performance - Not guaranteed values



44LYE125



44LYE125

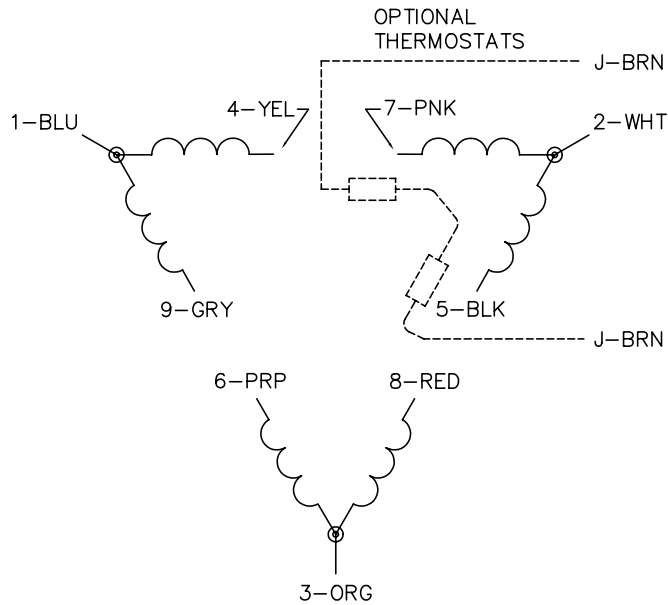
CUSTOMER IS RESPONSIBLE FOR DETERMINING THAT BALDOR'S PRODUCT WILL PERFORM SUITABLY IN THE INTENDED APPLICATION.

REV. DESC: ADD AEGIS MTG PROVISIONS	VERSION: 01	TDR: 000000722675
REV. LTR: A		
FILE: \AAA\00137\716	REVISED: 01:34:05 12/03/2011	BY: ENCARCO
MTL: -		

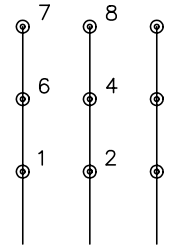
**BALDOR**

HORZ OPSB 364-ST HVAC MTR W/GRSE PLUGS, 1/2 SH GND MTG  
SH 1 of 1

CD0180

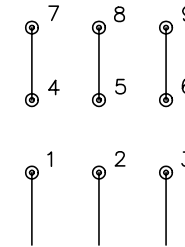


LOW VOLTAGE  
(2D)



LINE

HIGH VOLTAGE  
(1D)



LINE

NOTES:

1. INTERCHANGE ANY TWO LINE LEADS TO REVERSE ROTATION.
2. OPTIONAL THERMOSTATS ARE PROVIDED WHEN SPECIFIED.
3. ACTUAL NUMBER OF INTERNAL PARALLEL CIRCUITS MAY BE A MULTIPLE OF THOSE SHOWN ABOVE.
4. LEAD COLORS ARE OPTIONAL. LEADS MUST ALWAYS BE NUMBERED AS SHOWN.

REV. DESC: REVISE TO SHOW OPTIONAL COLORS			
REV. LTR: C	BY: JLP	REVISED: 01/21/99 2:28	TDR: 0171435
0810D0		FILE: AAA00005148	MDL: -
		MTL: -	

**BALDOR ELECTRIC Co.**

3PH, DV, 9 LEADS, DELTA CONNECTION

CD0180