

# **BALDOR**® • **RELIANCE**

## **Product Information Packet**

# **EHM3154T-8**

**1.5HP,1755RPM,3PH,60HZ,145T,3522M,OPSB,F**

Copyright © All product information within this document is subject to Baldor Electric Company copyright © protection, unless otherwise noted.

Part Detail							
Revision:	D	Status:	PRD/A	Change #:		Proprietary:	No
Type:	AC	Prod. Type:	3522M	Elec. Spec:	35WGM922	CD Diagram:	
Enclosure:	OPSB	Mfg Plant:		Mech. Spec:	35VV807	Layout:	
Frame:	145T	Mounting:	F1	Poles:	04	Created Date:	12-06-2011
Base:	RG	Rotation:	R	Insulation:	F	Eff. Date:	08-28-2012
Leads:	3#18	Literature:		Elec. Diagram:		Replaced By:	

**Nameplate NP2094C06B03**

CAT.NO.	EHM3154T-8						
SPEC.	35VV807M922G1						
HP	1.5						
VOLTS	200						
AMPS	5.1						
RPM	1755						
FRAME	145T	HZ	60	PH	3		
SER.F.	1.15	CODE	L	DES	B	CL	F
NEMA-NOM-EFF	86.5	PF	73				
RATING	40C AMB-CONT						
CC	010A	USABLE AT 208V					
DE	6205	ODE	6203				
AUTO	N	MANUAL	N	NONE	Y		
ENCL	OPSB	SN					
BLANK							

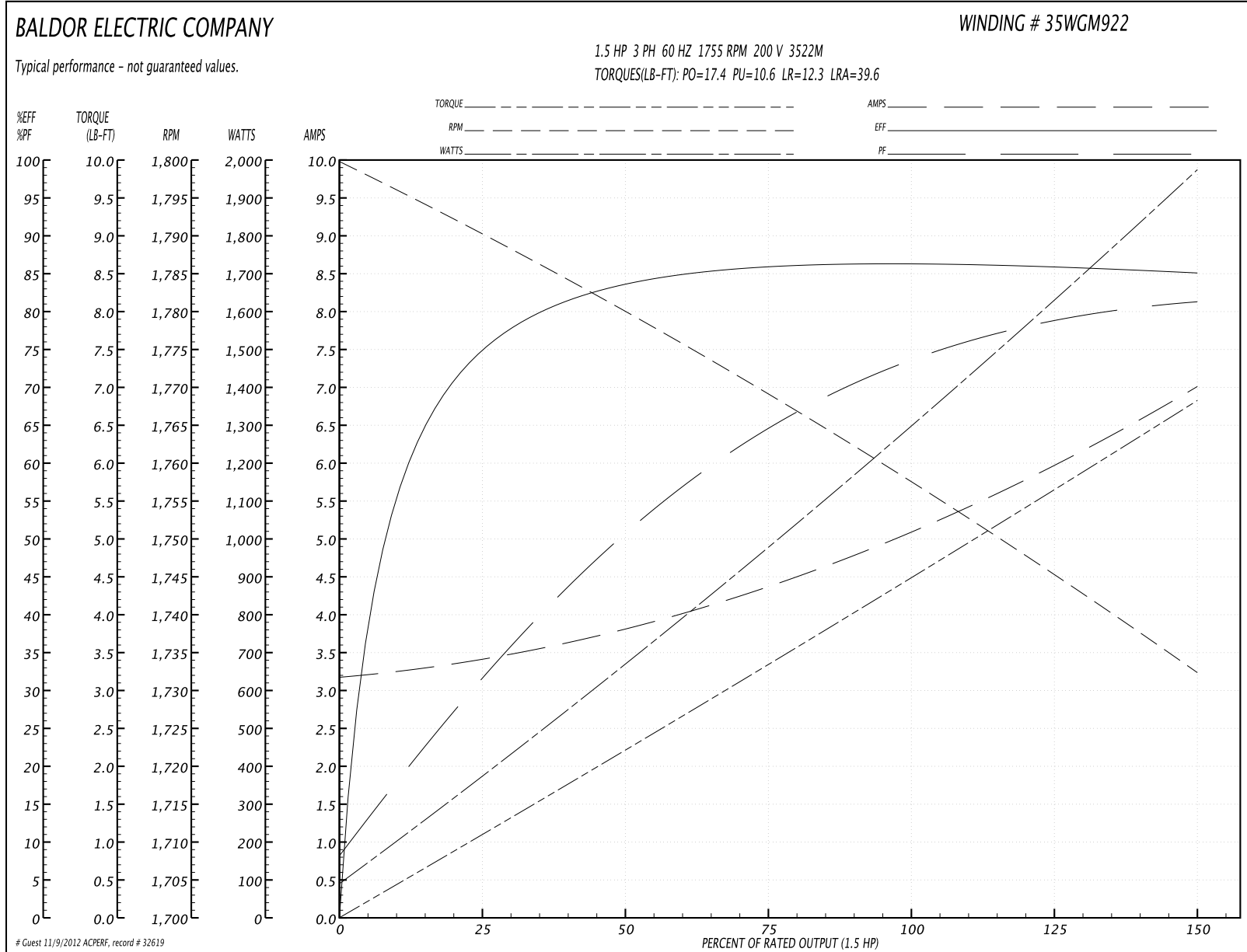
Parts List		
Part Number	Description	Quantity
SA235341	SA 35VV807M922G1	1.000 EA
RA222303	RA 35VV807M922G1	1.000 EA
S/P107-000-001	SUPER E PROC'S-FS & WS PLTS-POLYREX EM G	1.000 EA
NS2512A01	INSULATOR, CONDUIT BOX X	1.000 EA
35CB4004A17	SHEET METAL KOBX 35 (STAMPED) 35CB4004 L	1.000 EA
51XT1032A04	10-32X1/4 HX WA SL SR TYT (F/S)	4.000 EA
11XW1032G06	10-32 X .38, TAPTITE II, HEX WSHR SLTD U	1.000 EA
HW3001B01	003SS CUP WASHER, FOR #8 SCREW	1.000 EA
35EP3201A48	SPL FR ENDPLATE-OPEN W/SCREENS, GREASER	1.000 EA
HW4500A19	1/4-28X1/4 SLOTTED PLUG F/S	1.000 EA
HW4500A20	1/8NPT SL PIPE PLUG	1.000 EA
HW5100A03SP	WAVY WASHER (W1543-017)	1.000 EA
35EP3200A33	PU ENDPLATE, MACH	1.000 EA
91XN0540J08	SCREW, 5-40 X 1/2", FHC, AS	2.000 EA
HW4500A19	1/4-28X1/4 SLOTTED PLUG F/S	1.000 EA
HW4500A20	1/8NPT SL PIPE PLUG	1.000 EA
XY1032A02	10-32 HEX NUT DIRECTIONAL SERRATION	4.000 EA
35CB4509	BOX LID MODEL 35 FOR 35CB4004-GALV & PHO	1.000 EA
51XB1016A08	10-16X 1/2HXWSSLD SERTYB	4.000 EA
HW2501D13SP	KEY, 3/16 SQ X 1.375	1.000 EA
HA7000A01	KEY RETAINER 7/8" DIA SHAFT	1.000 EA
MJ1000A75	GREASE, POLYREX EM EXXON	0.050 LB
MG1000G27	PAINT- S9282E CHARCOAL GREY	0.017 GA
HA3100A45	THRUBOLT 10-32 X 8.875	4.000 EA

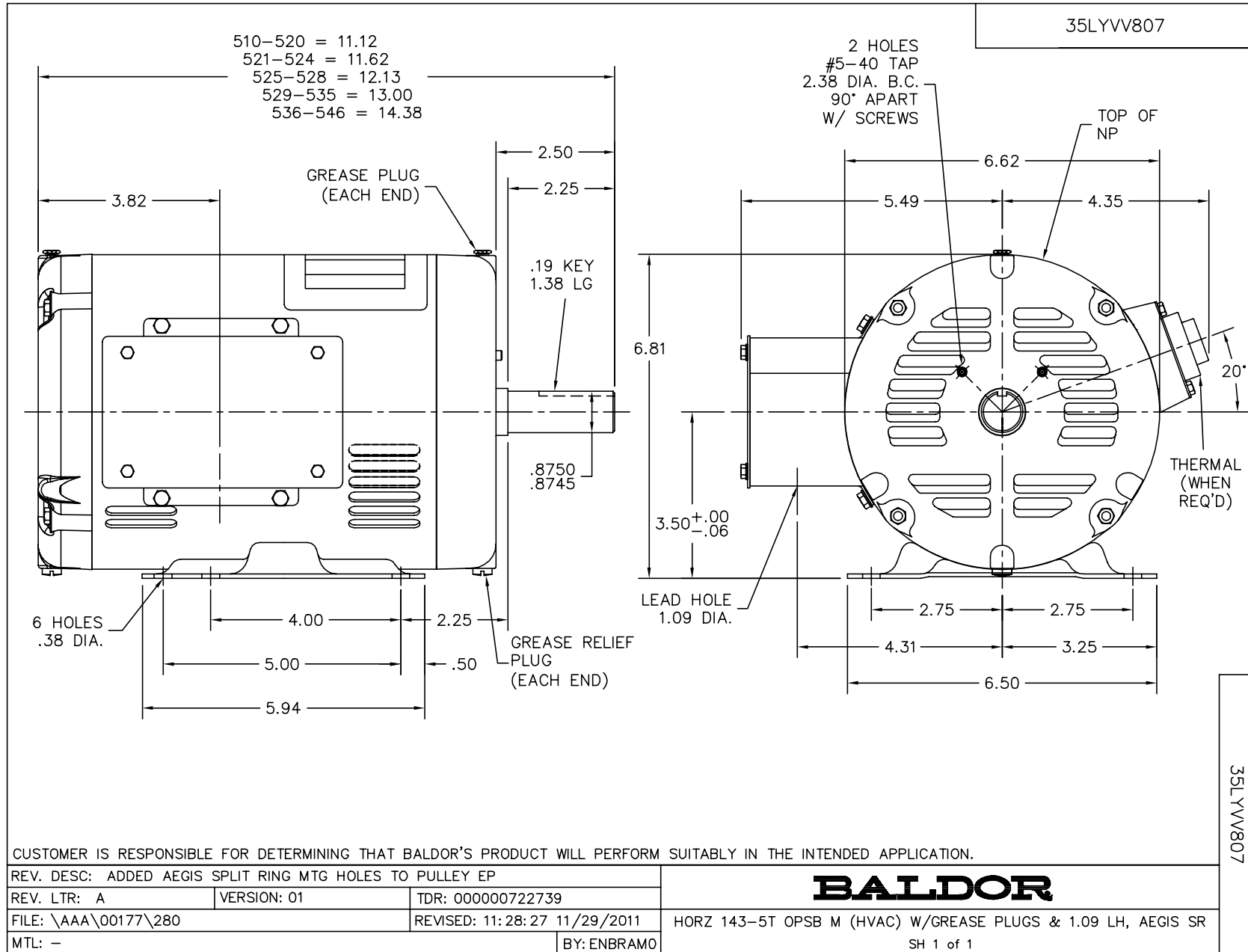
Parts List (continued)		
Part Number	Description	Quantity
35AD2005A01	BAFFLE PLATE,MOD 35-SLTD BAND MTRS TDR	2.000 EA
LB1125C02	SUPER-E (STOCK CTN LABEL SUPER-E WITH FL	1.000 EA
LC0006	CONNECTION LABEL	1.000 EA
LB1357	ENERGY GUIDE LABEL (BOX LABEL)	1.000 SH
NP2094C06B03	NP LABEL W/BARCODE (FOR HVAC MOTOR)	1.000 EA
35PA1067	PACK GROUP COMBINED PRINT WITH OSB BASE	1.000 EA

**Performance Data at 200V, 60Hz, 1.5HP (Typical performance - Not guaranteed values)**

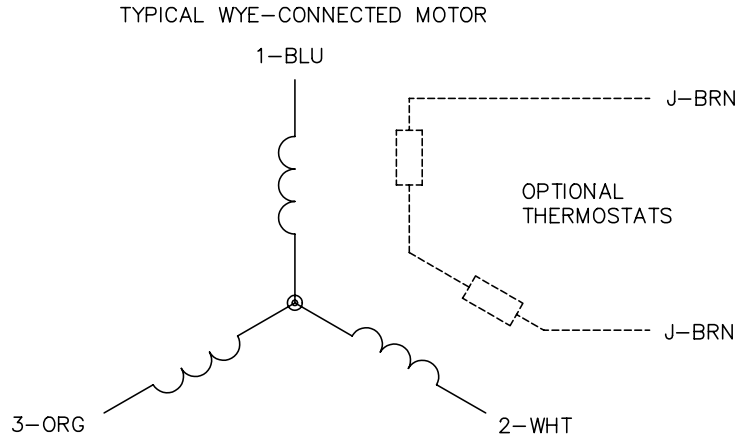
General Characteristics							
Full Load Torque:	4.46 LB-FT			Start Configuration:	DOL		
No-Load Current:	3.21 Amps			Break-Down Torque:	17.4 LB-FT		
Line-line Res. @ 25°C.:	2.14 Ohms A Ph / 0.0 Ohms B Ph			Pull-Up Torque:	10.6 LB-FT		
Temp. Rise @ Rated Load:	34 C			Locked-Rotor Torque:	12.3 LB-FT		
Temp. Rise @ S.F. Load:	41 C			Starting Current:	39.6 Amps		
Load Characteristics							
% of Rated Load	25	50	75	100	125	150	S.F.
Power Factor:	32.0	51.0	64.0	73.0	78.0	82.0	76.0
Efficiency:	74.9	83.1	85.9	86.5	86.0	85.0	86.2
Speed:	1790.0	1780.0	1769.0	1758.0	1746.0	1732.0	1751.0
Line Amperes:	3.37	3.78	4.38	5.1	5.97	6.99	5.62

Performance Graph at 200V, 60Hz, 1.5HP Typical performance - Not guaranteed values





CD0006



NOTES:

1. THREE LEAD MOTOR MAY BE EITHER WYE CONNECTED OR DELTA CONNECTED.
2. INTERCHANGE ANY TWO LINE LEADS TO REVERSE ROTATION.
3. OPTIONAL THERMOSTATS ARE PROVIDED WHEN SPECIFIED.
4. ACTUAL NUMBER OF INTERNAL PARALLEL CIRCUITS MAY VARY.
5. LEAD COLORS ARE OPTIONAL. LEADS MUST BE NUMBERED AS SHOWN.

REV. DESC: REVISE TO SHOW OPTIONAL COLORS			
REV. LTR: D	BY: JLP	REVISED: 01/21/99 4:02	TDR: 0171435
9000D		FILE: AAA00005141	MDL: -
		MTL: -	

**BALDOR ELECTRIC Co.**

3PH, SV, 3 LEADS, WYE OR DELTA CONNECTED

CD0006