

# **BALDOR**® • *RELIANCE*

## **Product Information Packet**

### **EHM3611T-5**

**3HP,1760RPM,3PH,60HZ,182T,3631M,TEFC,F1**

Copyright © All product information within this document is subject to Baldor Electric Company copyright © protection, unless otherwise noted.

Part Detail									
Revision:	C	Status:	PRD/A	Change #:		Proprietary:	No		
Type:	AC	Prod. Type:	3631M	Elec. Spec:	36WGS582	CD Diagram:			
Enclosure:	TEFC	Mfg Plant:		Mech. Spec:	36M965	Layout:			
Frame:	182T	Mounting:	F1	Poles:	04	Created Date:	10-05-2010		
Base:	RG	Rotation:	R	Insulation:	F	Eff. Date:	08-28-2012		
Leads:	3#16	Literature:		Elec. Diagram:		Replaced By:			
Nameplate NP2094E06B03									
CAT.NO.	EHM3611T-5								
SPEC.	36M965S582G1								
HP	3								
VOLTS	575								
AMPS	3.3								
RPM	1760								
FRAME	182T	HZ			60	PH	3		
SER.F.	1.15	CODE			K	DES	B	CL	F
NEMA-NOM-EFF	89.5	PF			75				
RATING	40C AMB-CONT								
CC	010A	USABLE AT 208V							
DE	6206	ODE			6205				
AUTO	N	MANUAL			N	NONE	Y		
ENCL	TEFC	SN							
BLANK									

Parts List		
Part Number	Description	Quantity
SA204643	SA 36M965S582G1	1.000 EA
RA191888	RA 36M965S582G1	1.000 EA
36FN3000C01SP	EXFN, PLASTIC, 5.25 OD, .912 ID	1.000 EA
S/P107-000-001	SUPER E PROC'S-FS & WS PLTS-POLYREX EM G	1.000 EA
36CB3004	36 CB CASTING W/1.09 DIA LEAD HOLE @ 6:0	1.000 EA
36GS1000SP	GASKET-CONDUIT BOX, .06 THICK #SV-330 LE	1.000 EA
51XB1016A08	10-16X 1/2HXWSSLD SERTYB	2.000 EA
11XW1032G06	10-32 X .38, TAPTITE II, HEX WSHR SLTD U	1.000 EA
36EP3104A01	FREP MACH W/GRSR, RAISED FH PADS	1.000 EA
HW4500A19	1/4-28X1/4 SLOTTED PLUG F/S	1.000 EA
HW5100A05	WVY WSHR F/205 & 304 BRGS	1.000 EA
36EP3100B98	PU ENDPLATE, MACH	1.000 EA
91XN0540J08	SCREW, 5-40 X 1/2", FHC, AS	2.000 EA
HW4500A19	1/4-28X1/4 SLOTTED PLUG F/S	1.000 EA
XY2520A12	1/4-20 HEX NUT, DIRECTIONAL SERRATIONS	4.000 EA
51XB1214A16	12-14X1.00 HXWSSLD SERTYB	1.000 EA
36FH4009A102SP	IEC FH GREASER W/AUTOPHERETIC PRIMER	1.000 EA
51XW1032A06	10-32 X .38, TAPTITE II, HEX WSHR SLTD S	3.000 EA
36CB4516	36 LIPPED CB LID	1.000 EA
37GS1001SP	GASKET, CONDUIT BOX LID, .06 THICK LEXID	1.000 EA
51XW0832A07	8-32 X .44, TAPTITE II, HEX WSHR SLTD SE	4.000 EA
HW2501E16	3KEY, 1/4 SQ X 1.750	1.000 EA
HA7000A02	KEY RETAINER RING, 1 1/8 DIA, 1 3/8 DIA	1.000 EA
MJ1000A75	GREASE, POLYREX EM EXXON	0.050 LB

Parts List (continued)		
Part Number	Description	Quantity
HA3101A25	THRUBOLT 1/4-20 X 11.000 OHIO ROD	4.000 EA
MG1000G27	PAINT- S9282E CHARCOAL GREY	0.022 GA
LB1125C02	SUPER-E (STOCK CTN LABEL SUPER-E WITH FL	1.000 EA
LC0006	CONNECTION LABEL	1.000 EA
LB1357	ENERGY GUIDE LABEL (BOX LABEL)	1.000 SH
NP2094E06B03	NP LABEL W/BARCODE (PREM EFF HVAC MTR)	1.000 EA
36PA1000	PACK GROUP W/LB5001	1.000 EA

**Performance Data at 575V, 60Hz, 3.0HP (Typical performance - Not guaranteed values)**

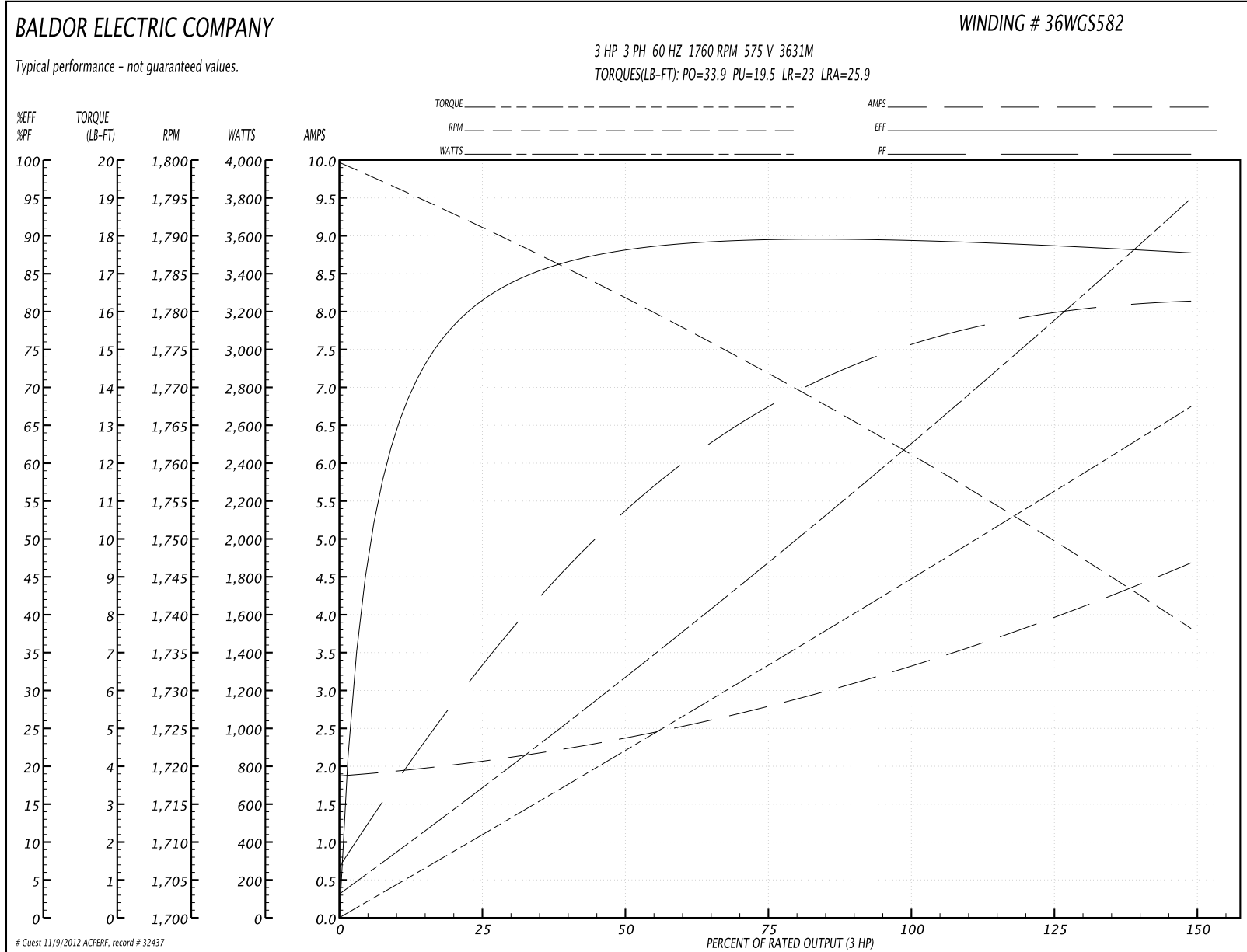
**General Characteristics**

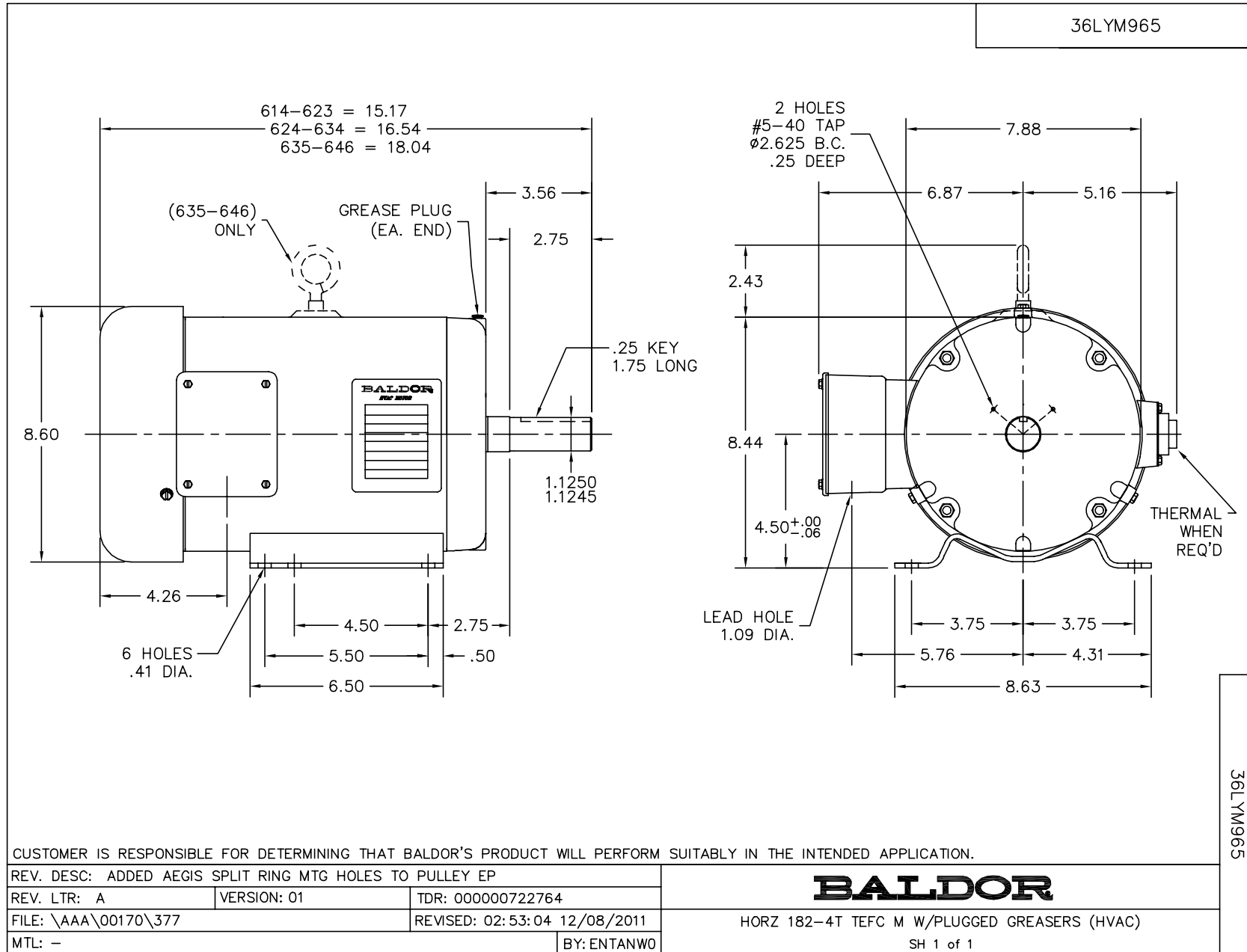
Full Load Torque:	8.88 LB-FT	Start Configuration:	DOL
No-Load Current:	1.9 Amps	Break-Down Torque:	33.9 LB-FT
Line-line Res. @ 25°C.:	6.0 Ohms A Ph / 0.0 Ohms B Ph	Pull-Up Torque:	19.5 LB-FT
Temp. Rise @ Rated Load:	40 C	Locked-Rotor Torque:	23.0 LB-FT
Temp. Rise @ S.F. Load:	48 C	Starting Current:	25.9 Amps

**Load Characteristics**

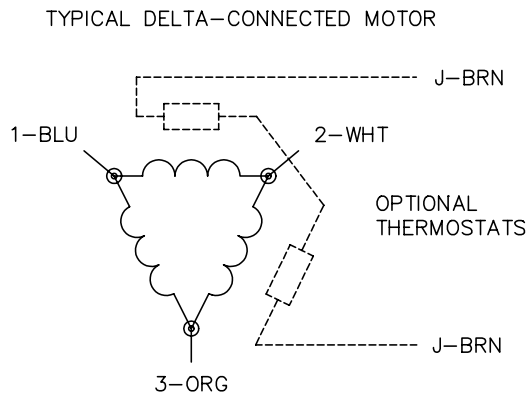
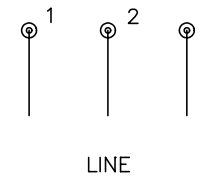
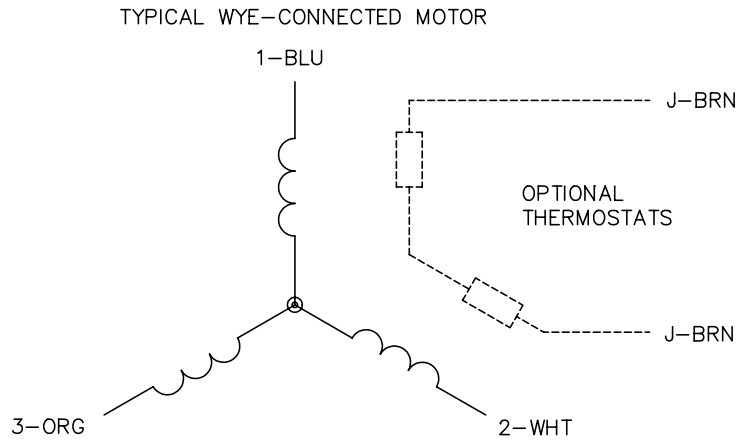
% of Rated Load	25	50	75	100	125	150	S.F.
Power Factor:	33.0	54.0	67.0	75.0	79.0	82.0	77.0
Efficiency:	80.5	87.7	89.5	89.5	88.9	87.6	89.1
Speed:	1791.0	1782.0	1772.0	1762.0	1750.0	1738.0	1755.0
Line Amperes:	2.03	2.34	2.77	3.34	3.97	4.66	3.72

Performance Graph at 575V, 60Hz, 3.0HP Typical performance - Not guaranteed values





CD0006



NOTES:

1. THREE LEAD MOTOR MAY BE EITHER WYE CONNECTED OR DELTA CONNECTED.
2. INTERCHANGE ANY TWO LINE LEADS TO REVERSE ROTATION.
3. OPTIONAL THERMOSTATS ARE PROVIDED WHEN SPECIFIED.
4. ACTUAL NUMBER OF INTERNAL PARALLEL CIRCUITS MAY VARY.
5. LEAD COLORS ARE OPTIONAL. LEADS MUST BE NUMBERED AS SHOWN.

REV. DESC: REVISE TO SHOW OPTIONAL COLORS			
REV. LTR: D	BY: JLP	REVISED: 01/21/99 4:02	TDR: 0171435
9000D		FILE: AAA00005141	MDL: -
		MTL: -	

**BALDOR ELECTRIC Co.**

3PH, SV, 3 LEADS, WYE OR DELTA CONNECTED

CD0006