

BALDOR® • *RELIANCE*

Product Information Packet

EHM3714T-5

10HP,1770RPM,3PH,60HZ,215T,3752M,TEFC,F1

Copyright © All product information within this document is subject to Baldor Electric Company copyright © protection, unless otherwise noted.

Part Detail							
Revision:	C	Status:	PRD/A	Change #:		Proprietary:	No
Type:	AC	Prod. Type:	3752M	Elec. Spec:	37WGS829	CD Diagram:	
Enclosure:	TEFC	Mfg Plant:		Mech. Spec:	37J543	Layout:	
Frame:	215T	Mounting:	F1	Poles:	04	Created Date:	12-09-2011
Base:	RG	Rotation:	R	Insulation:	F	Eff. Date:	08-28-2012
Leads:	3#14	Literature:		Elec. Diagram:		Replaced By:	

Nameplate NP2094E06B03									
CAT.NO.	EHM3714T-5								
SPEC.	37J543S829G1								
HP	10								
VOLTS	575								
AMPS	9.6								
RPM	1770								
FRAME	215T	HZ			60	PH	3		
SER.F.	1.15	CODE			K	DES	A	CL	F
NEMA-NOM-EFF	91.7	PF			85				
RATING	40C AMB-CONT								
CC	010A	USABLE AT 208V							
DE	6307	ODE			6206				
AUTO	N	MANUAL			N	NONE	Y		
ENCL	TEFC	SN							
BLANK									

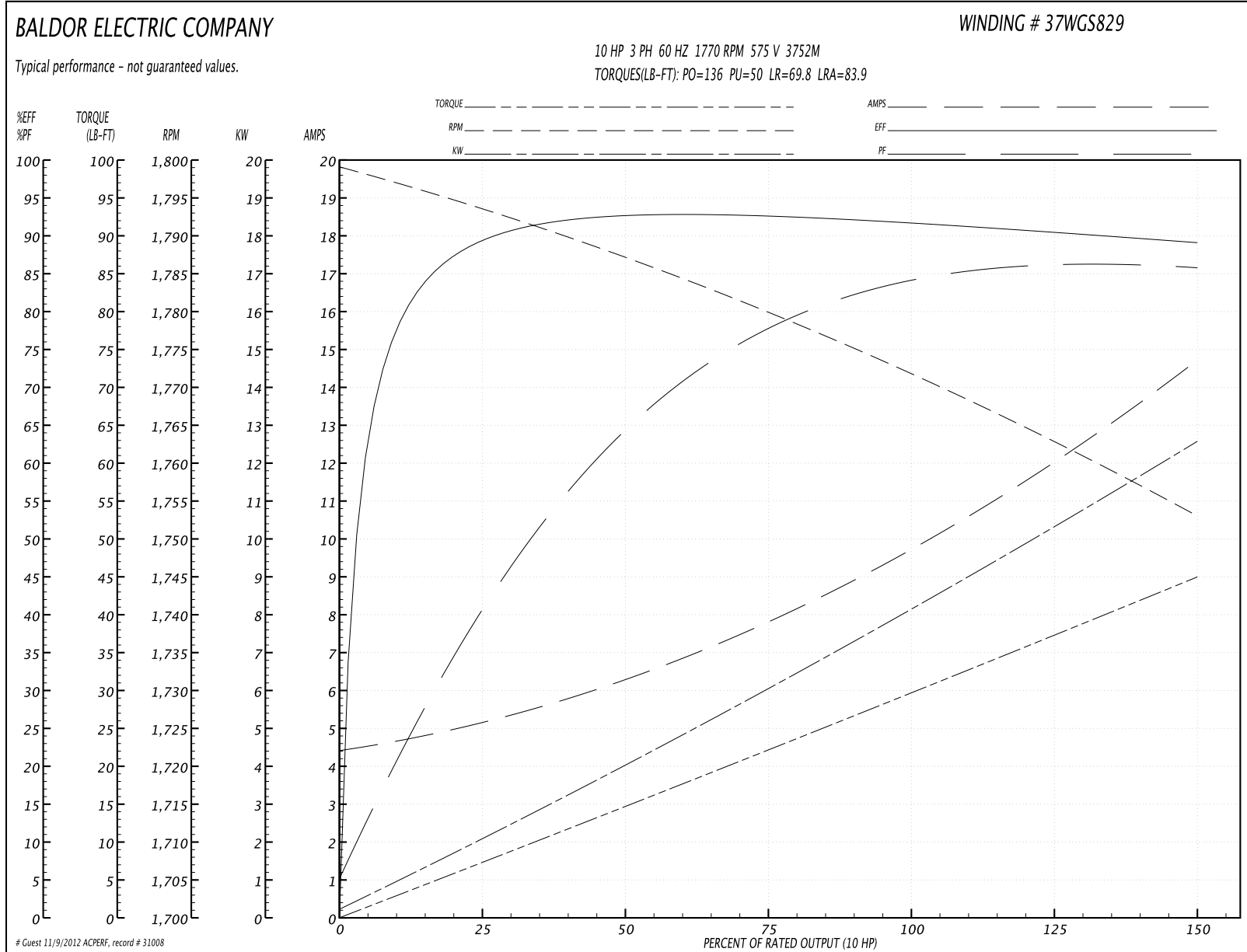
Parts List		
Part Number	Description	Quantity
SA236125	SA 37J543S829G1	1.000 EA
RA223073	RA 37J543S829G1	1.000 EA
37FN3002C01	EXFN, PLASTIC, 6.00 OD, 1.155 ID	1.000 EA
S/P107-000-001	SUPER E PROC'S-FS & WS PLTS-POLYREX EM G	1.000 EA
HW3200A01	3/8-16X3/4 I-BLT WELDED F/S	1.000 EA
37CB3006	37 CB CASTING W/1.38 LEAD HOLE @ 6:00	1.000 EA
37GS1000SP	GASKET, CONDUIT BOX STD., .06 THICK LEXI	1.000 EA
51XW2520A12	.25-20 X .75, TAPTITE II, HEX WSHR SLTD	2.000 EA
11XW1032G06	10-32 X .38, TAPTITE II, HEX WSHR SLTD U	1.000 EA
37EP3101A01SP	FR ENDPLATE,TEFC, 37 L&M, W/GREASER	1.000 EA
HW4500A19	1/4-28X1/4 SLOTTED PLUG F/S	1.000 EA
HW5100A06	W2420-025 WVY WSHR (WB)	1.000 EA
37EP3100B20	PUEP ENCL "T"-307 BRG, W/GRSR	1.000 EA
91XN0540J08	SCREW, 5-40 X 1/2", FHC, AS	2.000 EA
HW4500A19	1/4-28X1/4 SLOTTED PLUG F/S	1.000 EA
XY3118A12	5/16-18 HEX NUT DIRECTIONAL SERRATION	4.000 EA
51XB1214A20	12-14X1.25 HXWSSLD SERTYB	1.000 EA
07FH4007SP	IEC FH W/GRSR, NOTCH @ 6:00 & 3 FAN CVR	1.000 EA
51XW1032A06	10-32 X .38, TAPTITE II, HEX WSHR SLTD S	3.000 EA
37CB4516	LIPPED LID FOR 37 FRAME NEC KOBX	1.000 EA
37GS1008SP	37 GS FOR CB LID - LEXIDE	1.000 EA
51XW0832A07	8-32 X .44, TAPTITE II, HEX WSHR SLTD SE	4.000 EA
HW2501F21	KEY, 5/16 SQ X 2.375	1.000 EA
HA7000A02	KEY RETAINER RING, 1 1/8 DIA, 1 3/8 DIA	1.000 EA

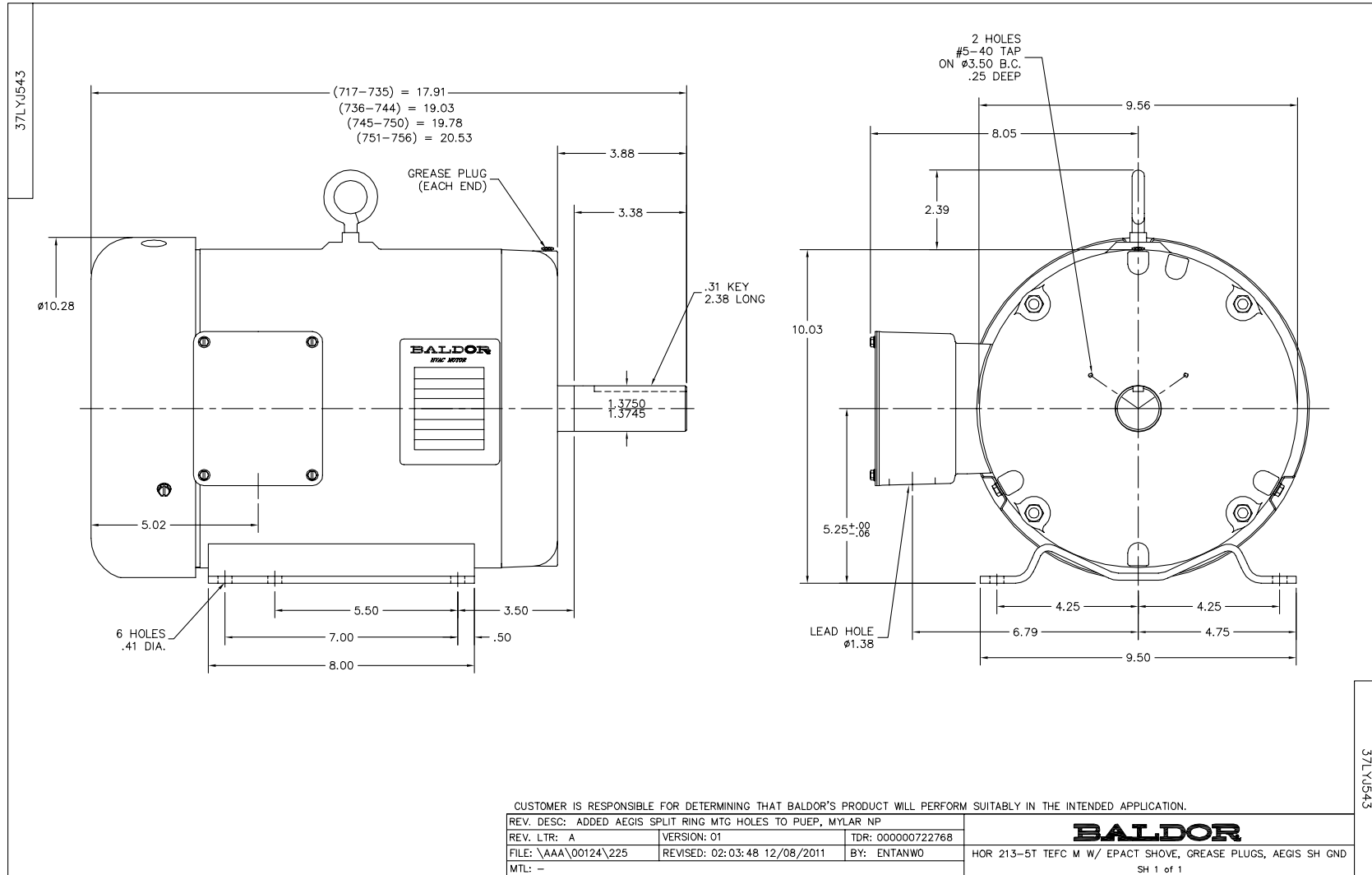
Parts List (continued)		
Part Number	Description	Quantity
LB1115	LABEL,LIFTING DEVICE	1.000 EA
MJ1000A75	GREASE, POLYREX EM EXXON	0.050 LB
MG1000G27	PAINT- S9282E CHARCOAL GREY	0.028 GA
HA3104A25	THRUBOLT .31-18 X 14.75	4.000 EA
LB1125C02	SUPER-E (STOCK CTN LABEL SUPER-E WITH FL	1.000 EA
LB1357	ENERGY GUIDE LABEL (BOX LABEL)	1.000 SH
LC0006	CONNECTION LABEL	1.000 EA
NP2094E06B03	NP LABEL W/BARCODE (PREM EFF HVAC MTR)	1.000 EA
37PA1052	PACKAGING GROUP, 150 LB MTR 2 X 4 RUNNER	1.000 EA

Performance Data at 575V, 60Hz, 10.0HP (Typical performance - Not guaranteed values)

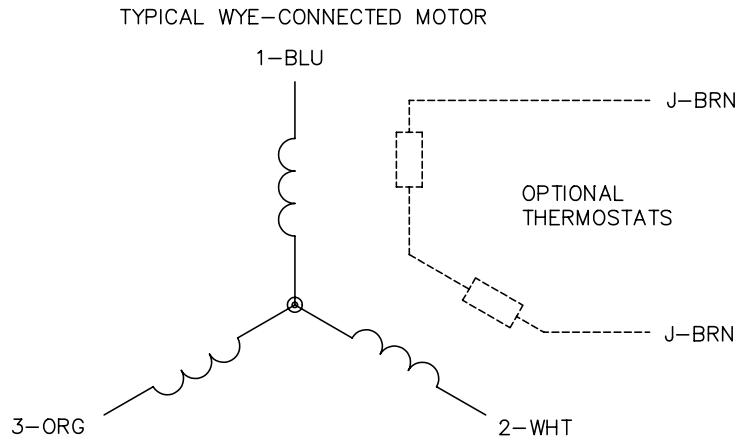
General Characteristics							
Full Load Torque:	29.5 LB-FT			Start Configuration:	DOL		
No-Load Current:	4.52 Amps			Break-Down Torque:	136.0 LB-FT		
Line-line Res. @ 25°C.:	1.42 Ohms A Ph / 0.0 Ohms B Ph			Pull-Up Torque:	50.0 LB-FT		
Temp. Rise @ Rated Load:	63 C			Locked-Rotor Torque:	69.8 LB-FT		
Temp. Rise @ S.F. Load:	79 C			Starting Current:	83.9 Amps		
Load Characteristics							
% of Rated Load	25	50	75	100	125	150	S.F.
Power Factor:	41.0	65.0	78.0	85.0	83.0	87.0	84.0
Efficiency:	88.4	92.0	92.7	91.9	90.7	88.9	91.2
Speed:	1794.0	1787.0	1780.0	1772.0	1763.0	1753.0	1767.0
Line Amperes:	5.03	6.21	7.76	9.59	12.4	14.5	11.3

Performance Graph at 575V, 60Hz, 10.0HP Typical performance - Not guaranteed values





CD0006



NOTES:

1. THREE LEAD MOTOR MAY BE EITHER WYE CONNECTED OR DELTA CONNECTED.
2. INTERCHANGE ANY TWO LINE LEADS TO REVERSE ROTATION.
3. OPTIONAL THERMOSTATS ARE PROVIDED WHEN SPECIFIED.
4. ACTUAL NUMBER OF INTERNAL PARALLEL CIRCUITS MAY VARY.
5. LEAD COLORS ARE OPTIONAL. LEADS MUST BE NUMBERED AS SHOWN.

REV. DESC: REVISE TO SHOW OPTIONAL COLORS			
REV. LTR: D	BY: JLP	REVISED: 01/21/99 4:02	TDR: 0171435
9000D		FILE: AAA00005141	MDL: -
		MTL: -	

BALDOR ELECTRIC Co.

3PH, SV, 3 LEADS, WYE OR DELTA CONNECTED

CD0006