

# **BALDOR® • RELIANCE**

**Product Information Packet**

**WALKER INDUSTRIAL PRODUCTS, INC.**

**EHPM3714T**

**10HP, 1770RPM, 3PH, 60HZ, 215TYZ, 3752M, TEFC**

Part Detail							
Revision:	C	Status:	PRD/A	Change #:		Proprietary:	No
Type:	AC	Prod. Type:	3752M	Elec. Spec:	37WGS518	CD Diagram:	CD0005
Enclosure:	TEFC	Mfg Plant:		Mech. Spec:	37J606	Layout:	37LYJ606
Frame:	215TYZ	Mounting:	F3	Poles:	04	Created Date:	07-07-2015
Base:	RG	Rotation:	R	Insulation:	F	Eff. Date:	03-23-2016
Leads:	9#14					Replaced By:	
Literature:		Elec. Diagram:					

<b>Nameplate NP3441L</b>							
CAT.NO.	EHPM3714T						
SPEC.	37J606S518G1						
HP	10						
VOLTS	230/460						
AMP	24/12						
RPM	1770						
FRAME	215TYZ	HZ	60	PH	3		
SER.F.	1.15	CODE	K	DES	A	CL	F
NEMA-NOM-EFF	91.7	PF	85				
RATING	40C AMB-CONT						
CC	010A	USABLE AT 208V	25.4				
DE	6208	ODE	6206				
ENCL	TEFC	SN					
VPWM INVERTER READY							
CT6-60H(10:1)VT3-60H(20:1)							

**AC Induction Motor Performance Data**

Record # 31039 - Typical performance - not guaranteed values

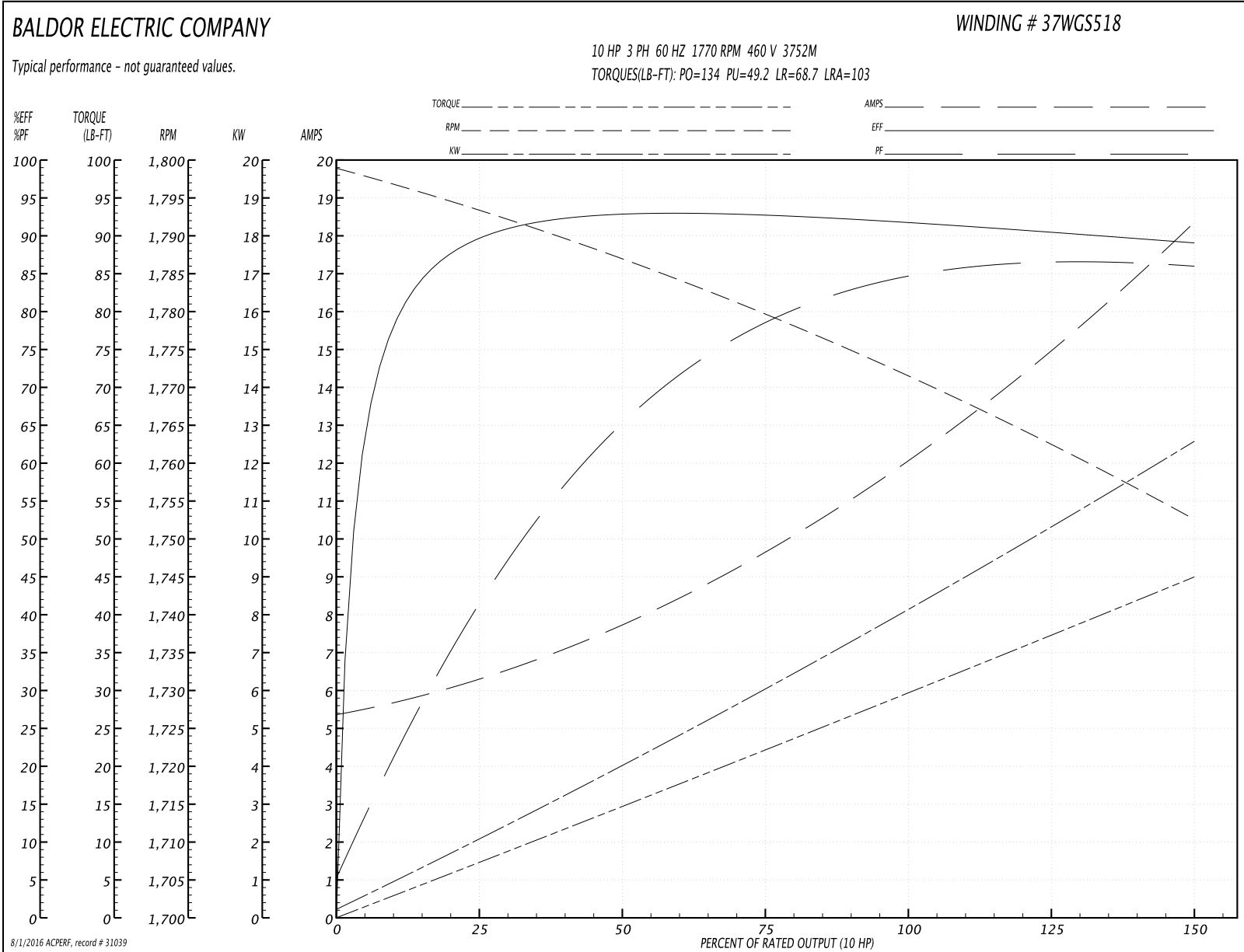
<b>Winding:</b> 37WGS518-R002	<b>Type:</b> 3752M	<b>Enclosure:</b> TEFC
-------------------------------	--------------------	------------------------

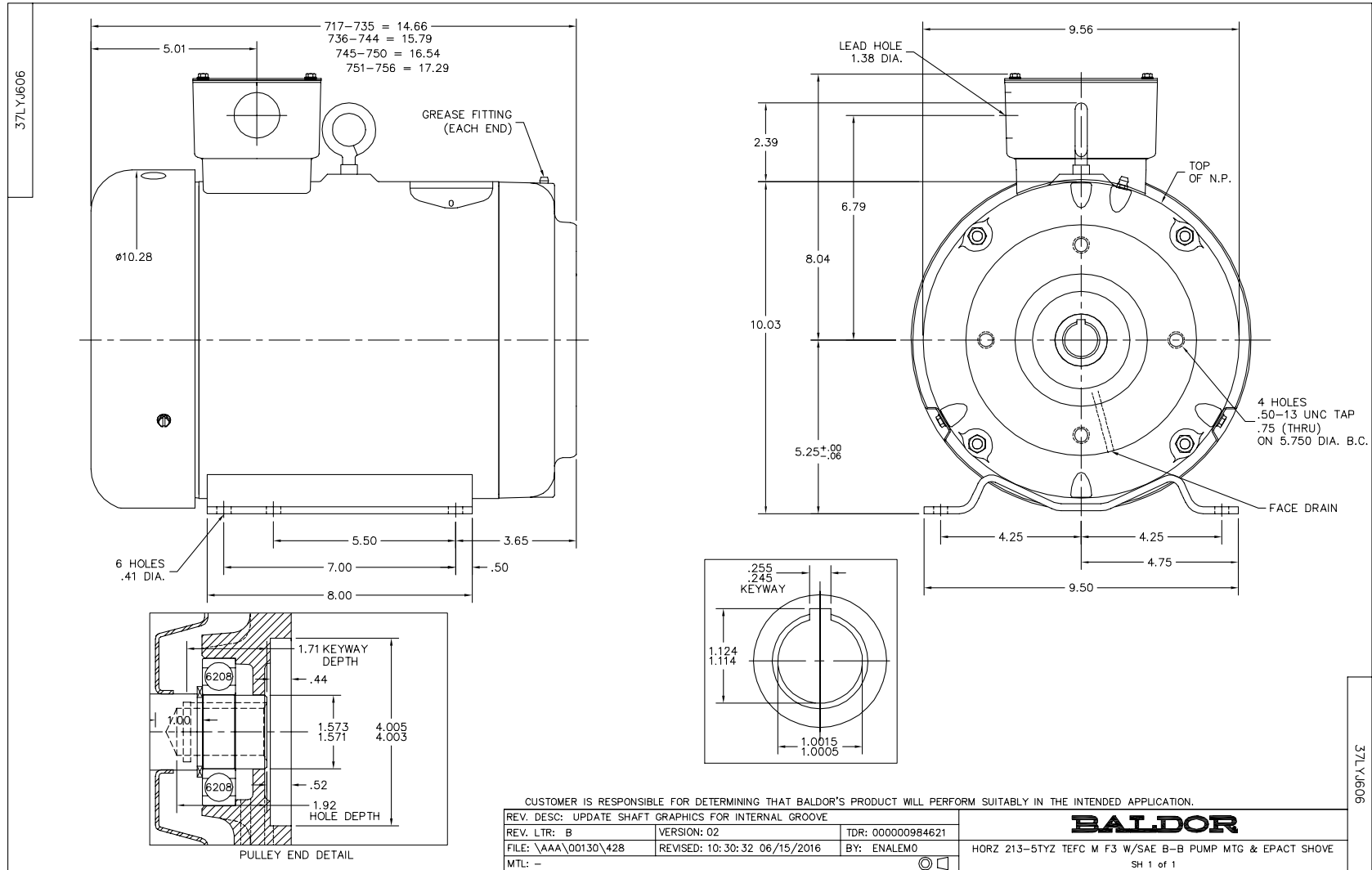
Nameplate Data				460 V, 60 Hz: High Voltage Connection	
Rated Output (HP)	10			Full Load Torque	29.5 LB-FT
Volts	230/460			Start Configuration	direct on line
Full Load Amps	24/12			Breakdown Torque	134 LB-FT
R.P.M.	1770			Pull-up Torque	49.2 LB-FT
Hz	60	Phase	3	Locked-rotor Torque	68.7 LB-FT
NEMA Design Code	A	KVA Code	K	Starting Current	103 A
Service Factor (S.F.)	1.15			No-load Current	5.49 A
NEMA Nom. Eff.	91.7	Power Factor	85	Line-line Res. @ 25°C	0.93503 Ω
Rating - Duty	40C AMB-CONT			Temp. Rise @ Rated Load	63°C
S.F. Amps				Temp. Rise @ S.F. Load	81°C
				Rotor inertia	1.28 LB-FT <sup>2</sup>

Load Characteristics 460 V, 60 Hz, 10 HP

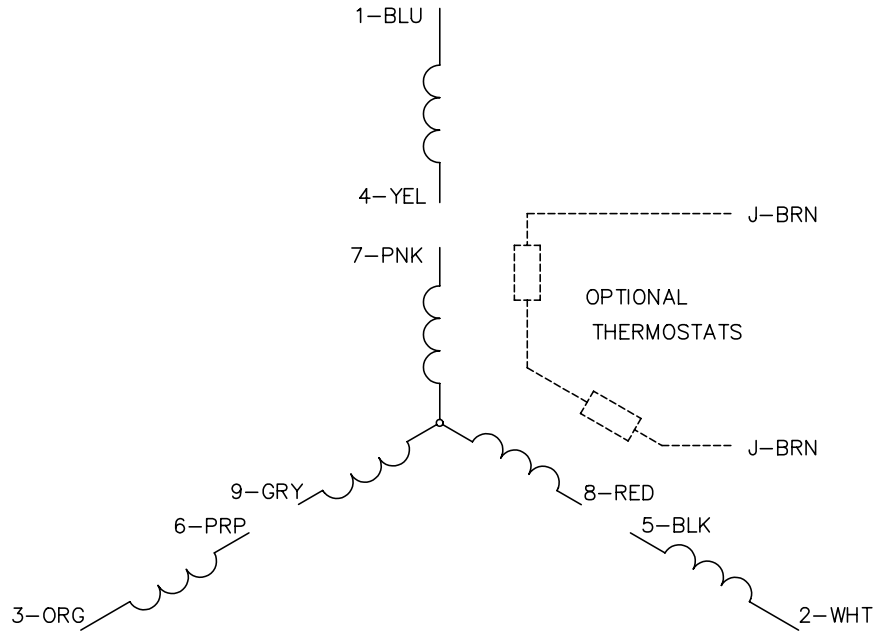
% of Rated Load	25	50	75	100	125	150	S.F.
Power Factor	42	66	79	85	84	87	84
Efficiency	88.9	92.1	92.4	91.8	90.3	89	90.9
Speed	1793.9	1786.8	1779.7	1771.8	1762.7	1752.5	1766
Line amperes	6.14	7.63	9.58	11.9	15.4	18.1	14

Performance Graph at 460V, 60Hz, 10.0HP Typical performance - Not guaranteed values

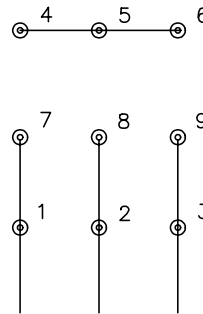




CD0005

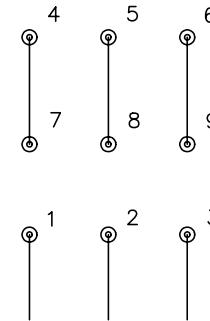


LOW VOLTAGE  
(2Y)



LINE

HIGH VOLTAGE  
(1Y)



LINE

NOTES:

1. INTERCHANGE ANY TWO LINE LEADS TO REVERSE ROTATION.
2. OPTIONAL THERMOSTATS ARE PROVIDED WHEN SPECIFIED.
3. ACTUAL NUMBER OF INTERNAL PARALLEL CIRCUITS MAY BE A MULTIPLE OF THOSE SHOWN ABOVE.
4. LEAD COLORS ARE OPTIONAL. LEADS MUST ALWAYS BE NUMBERED AS SHOWN.

REV. DESC: REVISE TO SHOW OPTIONAL COLORS

REV. LTR: E BY: JLP

REVISED: 01/19/99 10:15

TDR: 0171435

90000

FILE: AAA00005140

MDL: -

MTL: -

**BALDOR ELECTRIC Co.**

3PH, DV, 9 LEADS

CD0005