

BALDOR® • RELIANCE

Product Information Packet

WALKER INDUSTRIAL PRODUCTS, INC.

EJM7018

1.5HP,3500RPM,3PH,60HZ,56J,3520M,XPFC,F1

Part Detail							
Revision:	-	Status:	PRD/A	Change #:		Proprietary:	No
Type:	AC	Prod. Type:	3520M	Elec. Spec:	35WGM760	CD Diagram:	CD0005
Enclosure:	XPFC	Mfg Plant:		Mech. Spec:	35E384	Layout:	35LYE384
Frame:	56J	Mounting:	F1	Poles:	02	Created Date:	10-14-2015
Base:	N	Rotation:	R	Insulation:	B	Eff. Date:	10-21-2015
Leads:	9#18					Replaced By:	
Literature:		Elec. Diagram:					

Nameplate NP1426XPSLEV					
NO.		CC	010A		
SER.					
SPEC.	35E384M760G1				
CAT.NO.	EJM7018				
HP	1.5	T. CODE	T3C		
VOLTS	230/460				
AMPS	3.8/1.9				
RPM	3500				
HZ	60	PH	3	CL	B
SER.F.	1.00	DES	B	CODE	L
RATING	40C AMB-CONT				
FRAME	56J	NEMA-NOM-EFF	84		
USABLE AT 208V	4	PF	85		
BLANK					

AC Induction Motor Performance Data

Record # 53544 - Typical performance - not guaranteed values

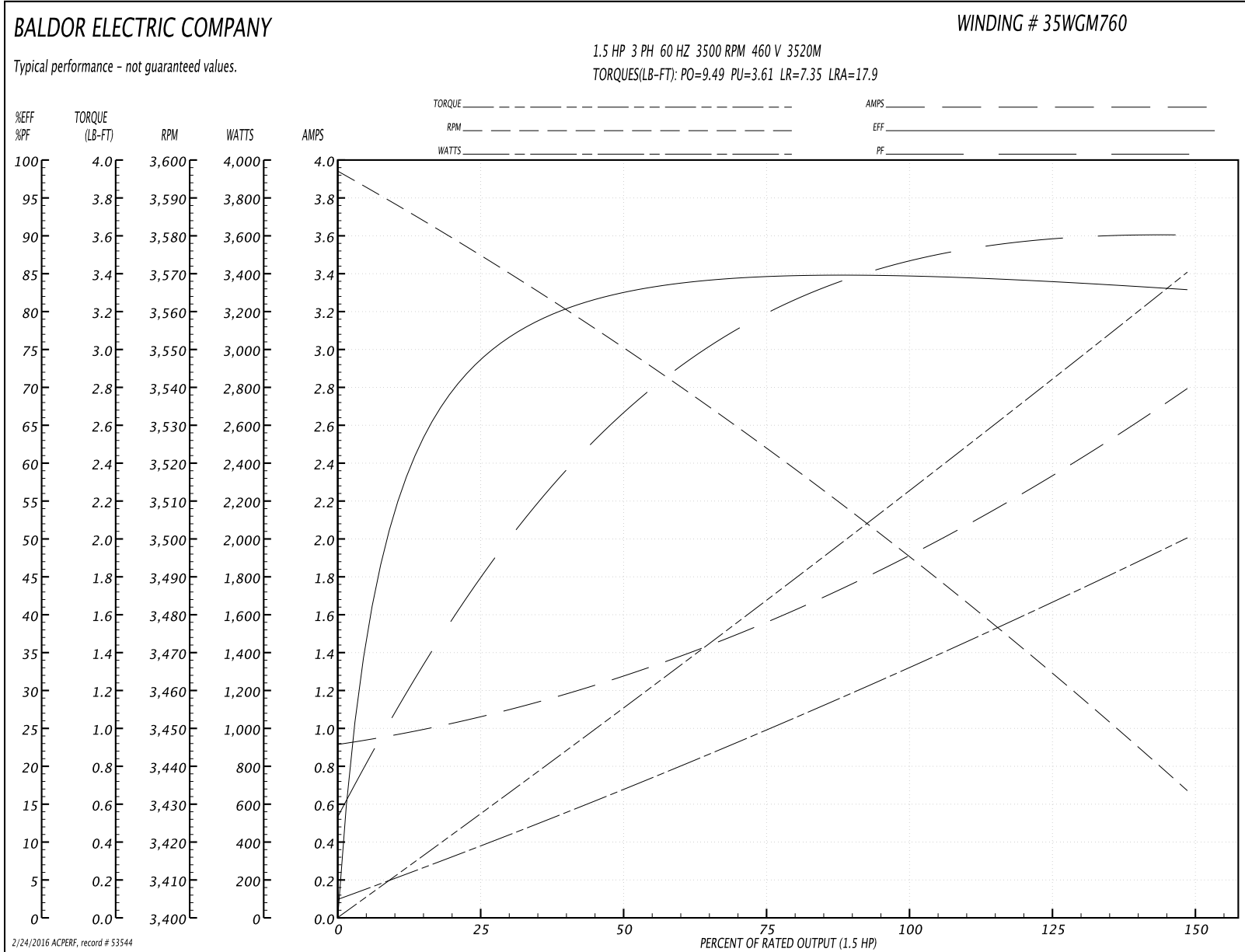
Winding: 35WGM760-R058	Type: 3520M	Enclosure: XPFC
-------------------------------	--------------------	------------------------

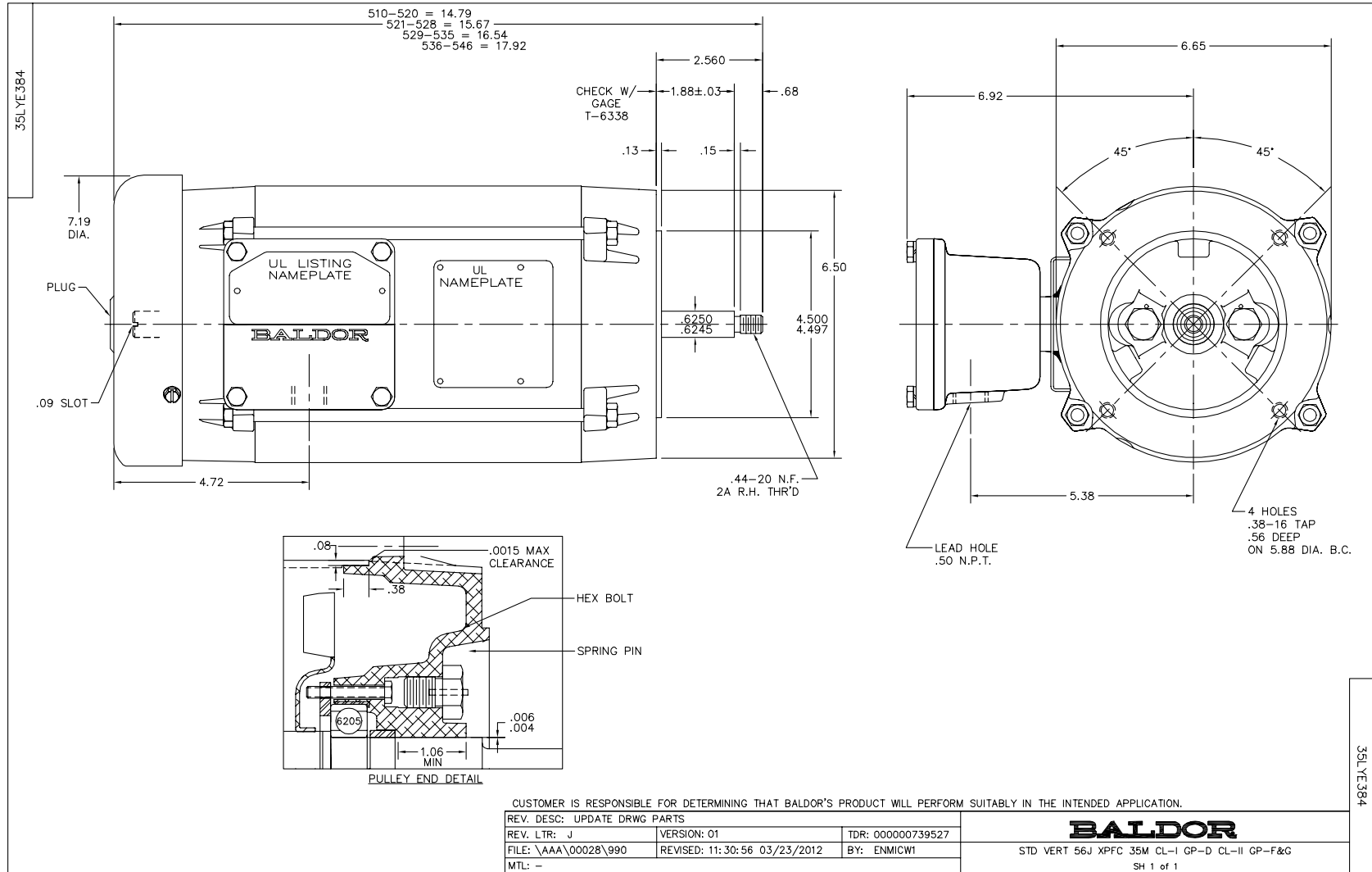
Nameplate Data				460 V, 60 Hz: High Voltage Connection	
Rated Output (HP)	1.5			Full Load Torque	2.22 LB-FT
Volts	230/460			Start Configuration	direct on line
Full Load Amps	3.8/1.9			Breakdown Torque	9.49 LB-FT
R.P.M.	3500			Pull-up Torque	3.61 LB-FT
Hz	60	Phase	3	Locked-rotor Torque	7.35 LB-FT
NEMA Design Code	B	KVA Code	L	Starting Current	17.9 A
Service Factor (S.F.)	1			No-load Current	0.932 A
NEMA Nom. Eff.	84	Power Factor	85	Line-line Res. @ 25°C	12.2 Ω
Rating - Duty	40C AMB-CONT			Temp. Rise @ Rated Load	43°C
				Rotor inertia	0.0553 LB-FT ²

Load Characteristics 460 V, 60 Hz, 1.5 HP

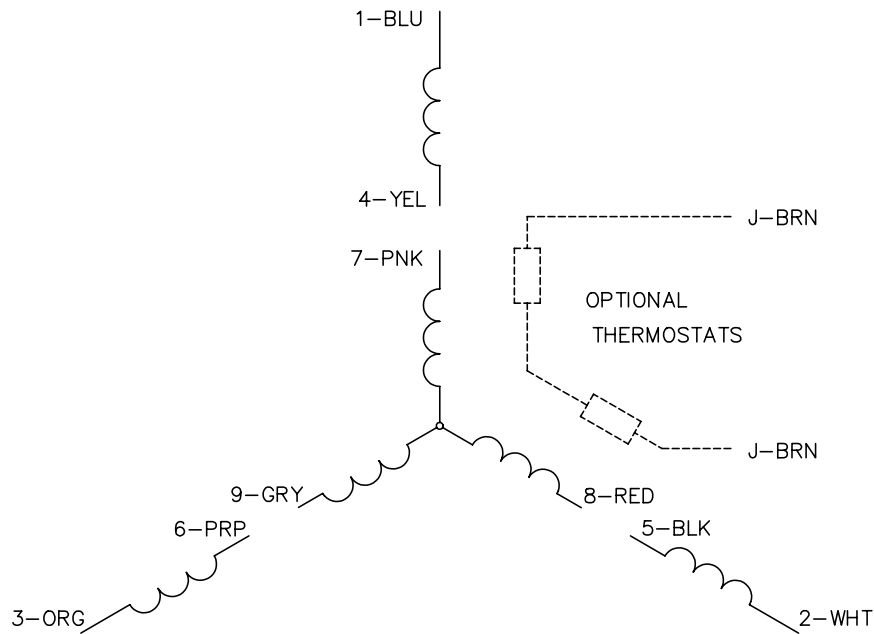
% of Rated Load	25	50	75	100	125	150
Power Factor	45	67	79	85	89	90
Efficiency	72.3	82.2	84.4	84.8	84.3	82.8
Speed	3575	3551	3526	3498	3466	3433
Line amperes	1.03	1.25	1.55	1.91	2.31	2.79

Performance Graph at 460V, 60Hz, 1.5HP Typical performance - Not guaranteed values

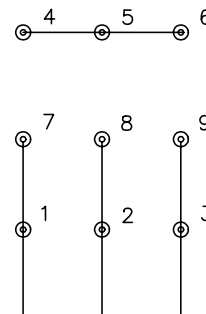




CD0005

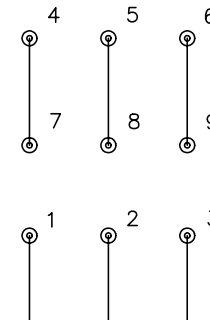


LOW VOLTAGE
(2Y)



LINE

HIGH VOLTAGE
(1Y)



LINE

NOTES:

1. INTERCHANGE ANY TWO LINE LEADS TO REVERSE ROTATION.
2. OPTIONAL THERMOSTATS ARE PROVIDED WHEN SPECIFIED.
3. ACTUAL NUMBER OF INTERNAL PARALLEL CIRCUITS MAY BE A MULTIPLE OF THOSE SHOWN ABOVE.
4. LEAD COLORS ARE OPTIONAL. LEADS MUST ALWAYS BE NUMBERED AS SHOWN.

REV. DESC: REVISE TO SHOW OPTIONAL COLORS			
REV. LTR: E	BY: JLP	REVISED: 01/19/99 10:15	TDR: 0171435
9000D		FILE: AAA00005140	MDL: -
		MTL: -	

BALDOR ELECTRIC Co.

3PH, DV, 9 LEADS

CD0005