

BALDOR® • RELIANCE

Product Information Packet

EJMM2334T-G

20HP, 1765RPM, 3PH, 60HZ, 256JM, 0952M, TEFC, F

Copyright © All product information within this document is subject to Baldor Electric Company copyright © protection, unless otherwise noted.

| Part Detail | | | | | | | | | |
|-------------------|--------------|----------------|-------|----------------|----------|---------------|------------|--|--|
| Revision: | A | Status: | PRD/A | Change #: | | Proprietary: | No | | |
| Type: | AC | Prod. Type: | 0952M | Elec. Spec: | 09WGY583 | CD Diagram: | | | |
| Enclosure: | TEFC | Mfg Plant: | | Mech. Spec: | 09J657 | Layout: | | | |
| Frame: | 256JM | Mounting: | F1 | Poles: | 04 | Created Date: | 11-30-2011 | | |
| Base: | RG | Rotation: | R | Insulation: | H | Eff. Date: | 09-14-2012 | | |
| Leads: | 9#12 | Literature: | | Elec. Diagram: | | Replaced By: | | | |
| Nameplate NP1259L | | | | | | | | | |
| CAT.NO. | EJMM2334T-G | | | | | | | | |
| SPEC. | 09J657Y583G1 | | | | | | | | |
| HP | 20 | | | | | | | | |
| VOLTS | 230/460 | | | | | | | | |
| AMP | 48/24 | | | | | | | | |
| RPM | 1765 | | | | | | | | |
| FRAME | 256JM | HZ | 60 | PH | 3 | | | | |
| SER.F. | 1.15 | CODE | H | DES | B | CL | H | | |
| NEMA-NOM-EFF | 93 | PF | 84 | | | | | | |
| RATING | 40C AMB-CONT | | | | | | | | |
| CC | 010A | USABLE AT 208V | 51 | | | | | | |
| DE | 6309 | ODE | 6208 | | | | | | |
| ENCL | TEFC | SN | | | | | | | |
| | | | | | | | | | |

| Parts List | | |
|----------------|--|----------|
| Part Number | Description | Quantity |
| SA235115 | SA 09J657Y583G1 | 1.000 EA |
| RA222078 | RA 09J657Y583G1 | 1.000 EA |
| S/P107-000-005 | SUPER-E PROC'S(254/6 FR.) ZK PLANT - POL | 1.000 EA |
| 09CB3002SP | CB W/1.38 LEAD HOLE FOR 37, 39, 307 & 30 | 1.000 EA |
| 09GS1000SP | GASKET-CONDUIT BOX, 1/16 THICK LEXIDE | 1.000 EA |
| 10XN2520K12 | 1/4-20 X.75 GRD 5 | 2.000 EA |
| HW1001A25 | LOCKWASHER 1/4, ZINC PLT .493 OD, .255 I | 2.000 EA |
| WD1000B17 | KPA-8C BURNDY TERMINAL | 1.000 EA |
| 11XW1032G06 | 10-32 X .38, TAPTITE II, HEX WSHR SLTD U | 1.000 EA |
| 09EP1100A14SP | ENDPLATE, MACH | 1.000 EA |
| XY3816A12 | 3/8-16 FINISHED NUT | 4.000 EA |
| HW1001A38 | LOCKWASHER 3/8, ZINC PLT .688 OD, .382 I | 4.000 EA |
| HW5100A08 | W3118-035 WVY WSHR (WB) | 1.000 EA |
| 10XN2520K28 | 1/4-20 X 1.75" HX HD SCRWGRADE 5, ZINC P | 2.000 EA |
| HW1001A25 | LOCKWASHER 1/4, ZINC PLT .493 OD, .255 I | 2.000 EA |
| 09EP1300A13 | ENDPLATE, MACH | 1.000 EA |
| HA1005A26 | SLINGER, OD 3.00, ID 1.75, 309 BRG | 1.000 EA |
| 10XN2520K36 | 1/4-20 X 2.25" HX HD SCRWGRADE 5, ZINC P | 4.000 EA |
| HW1001A25 | LOCKWASHER 1/4, ZINC PLT .493 OD, .255 I | 4.000 EA |
| BP5303 | SHAFT GRD BOLT THROUGH (SGR-54.5-3FH) | 1.000 EA |
| HA3113A02 | THRUBOLT 3/8-16 X 16.750 | 4.000 EA |
| HW1001A38 | LOCKWASHER 3/8, ZINC PLT .688 OD, .382 I | 4.000 EA |
| 09FH4000SP | FAN COVER, STAMPED | 1.000 EA |
| HA2081A05 | SPACER TUBE, 309 FAN HSG, 2.00 LONG | 4.000 EA |

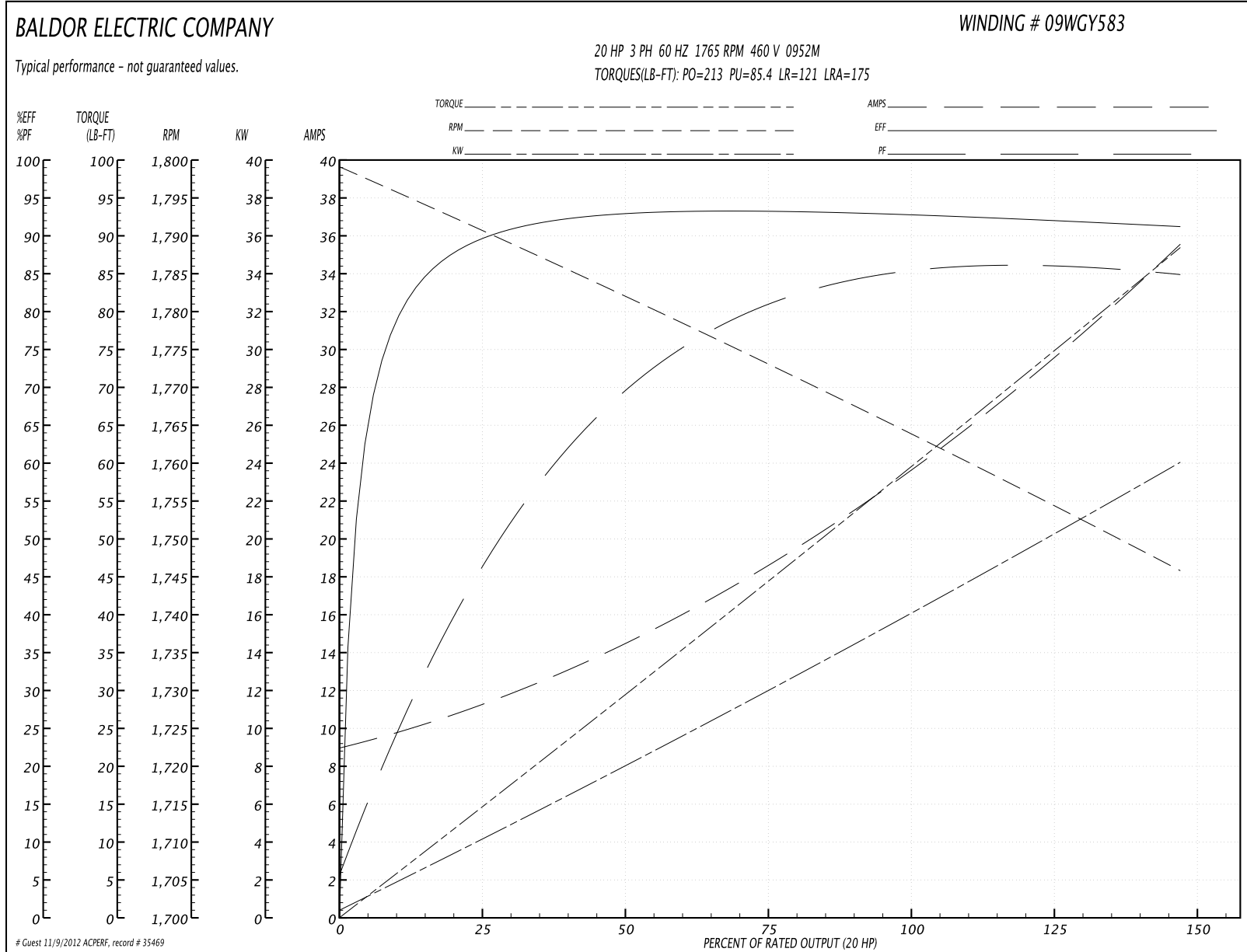
| Parts List (continued) | | |
|------------------------|--|----------|
| Part Number | Description | Quantity |
| HW1001A38 | LOCKWASHER 3/8, ZINC PLT .688 OD, .382 I | 4.000 EA |
| XY3816A12 | 3/8-16 FINISHED NUT | 4.000 EA |
| 09CB3501SP | CONDUIT BOX LID FOR 09CB3001 & 09CB3002 | 1.000 EA |
| 09GS1013SP | 09 GS FOR 09CB3501 LID - LEXIDE | 1.000 EA |
| 51XW2520A12 | .25-20 X .75, TAPTITE II, HEX WSHR SLTD | 2.000 EA |
| HW2501E22 | KEY, 1/4 SQ X 2.500 | 1.000 EA |
| LB1115 | LABEL,LIFTING DEVICE | 1.000 EA |
| LB5040 | INSTRUCTION TAG, AC & DC | 1.000 EA |
| HA4051A00 | PLASTIC CAP FOR GREASE FITTING | 1.000 EA |
| HW4500A05 | 1669B ALEM/UNIV860 GR FTG X | 1.000 EA |
| HW4500A17 | 317400 ALEMITE GREASE RELIEF | 1.000 EA |
| HA4001A01SP | DRAIN PLUG, PLASTIC (MICRO PLAS) | 1.000 EA |
| MJ1000A75 | GREASE, POLYREX EM EXXON | 0.080 LB |
| HA4051A00 | PLASTIC CAP FOR GREASE FITTING | 1.000 EA |
| HW4500A03 | GREASE FITTING, .125 NPT 1610(ALEMITE) 8 | 1.000 EA |
| HW4500A17 | 317400 ALEMITE GREASE RELIEF | 1.000 EA |
| HA4001A01SP | DRAIN PLUG, PLASTIC (MICRO PLAS) | 1.000 EA |
| 09FN3001A01 | EXTERNAL FAN, PLASTIC | 1.000 EA |
| HW2500A25 | WOODRUFF KEY USA #1008 #BLOW CARBON STEE | 1.000 EA |
| 51XB1214A20 | 12-14X1.25 HXWSSLD SERTYB | 1.000 EA |
| MG1000Y03 | WILKO 689.710 GOLD PAINT SUPER E | 0.050 GA |
| 85XU0407A04 | #4-7 X 1/4 DRIVE PIN | 2.000 EA |
| LB1119 | WARNING LABEL | 1.000 EA |
| LB1125C02 | SUPER-E (STOCK CTN LABEL SUPER-E WITH FL | 4.000 EA |

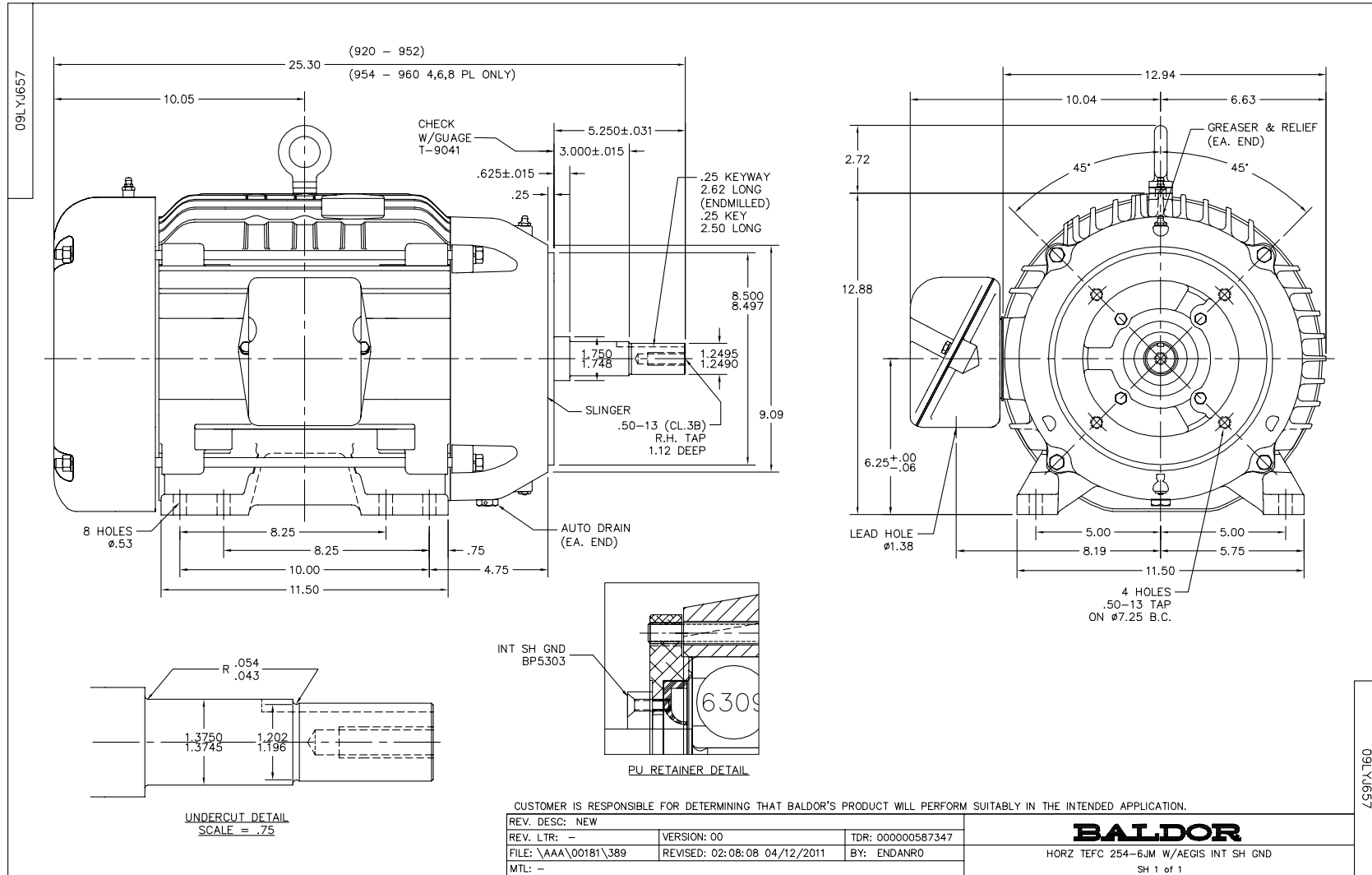
| Parts List (continued) | | |
|------------------------|---|----------|
| Part Number | Description | Quantity |
| LB1357 | ENERGY GUIDE LABEL (BOX LABEL) | 1.000 SH |
| LC0005 | CONN.DIA.,TY M,9-LD,DUAL VOLT,REVERSING | 1.000 EA |
| NP1259L | ALUM SUPER-E UL CSA-EEV CC NEMA PREMIUM | 1.000 EA |
| 40PA1005 | PACKAGING GROUP, 09 STD | 1.000 EA |

Performance Data at 460V, 60Hz, 20.0HP (Typical performance - Not guaranteed values)

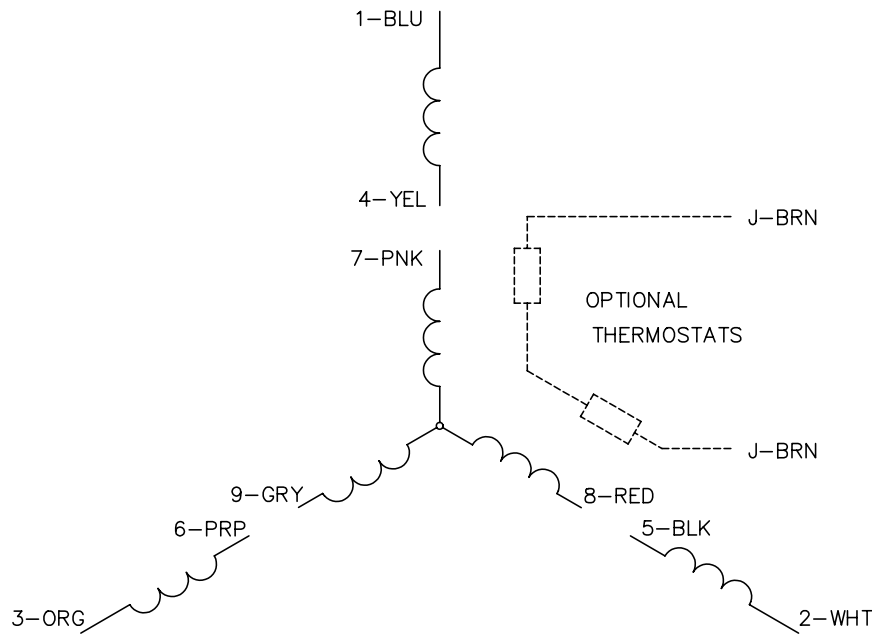
| General Characteristics | | | | | | | |
|--------------------------|---------------------------------|--------|--------|----------------------|-------------|--------|--------|
| Full Load Torque: | 59.0 LB-FT | | | Start Configuration: | DOL | | |
| No-Load Current: | 9.41 Amps | | | Break-Down Torque: | 213.0 LB-FT | | |
| Line-line Res. @ 25°C.: | 0.426 Ohms A Ph / 0.0 Ohms B Ph | | | Pull-Up Torque: | 85.4 LB-FT | | |
| Temp. Rise @ Rated Load: | 60 C | | | Locked-Rotor Torque: | 121.0 LB-FT | | |
| Temp. Rise @ S.F. Load: | 74 C | | | Starting Current: | 175.0 Amps | | |
| Load Characteristics | | | | | | | |
| % of Rated Load | 25 | 50 | 75 | 100 | 125 | 150 | S.F. |
| Power Factor: | 46.0 | 69.0 | 80.0 | 84.0 | 86.0 | 87.0 | 85.0 |
| Efficiency: | 89.0 | 92.8 | 93.1 | 93.0 | 92.2 | 91.1 | 92.5 |
| Speed: | 1791.0 | 1783.0 | 1770.0 | 1766.0 | 1756.0 | 1745.0 | 1760.0 |
| Line Amperes: | 10.7 | 14.0 | 19.1 | 23.7 | 29.1 | 35.4 | 26.94 |

Performance Graph at 460V, 60Hz, 20.0HP Typical performance - Not guaranteed values

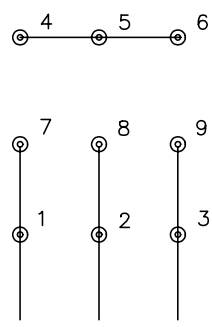




CD0005

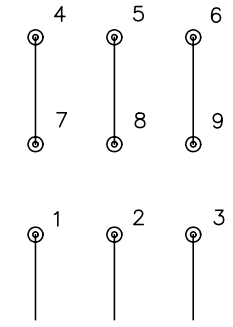


LOW VOLTAGE
(2Y)



LINE

HIGH VOLTAGE
(1Y)



LINE

NOTES:

1. INTERCHANGE ANY TWO LINE LEADS TO REVERSE ROTATION.
2. OPTIONAL THERMOSTATS ARE PROVIDED WHEN SPECIFIED.
3. ACTUAL NUMBER OF INTERNAL PARALLEL CIRCUITS MAY BE A MULTIPLE OF THOSE SHOWN ABOVE.
4. LEAD COLORS ARE OPTIONAL. LEADS MUST ALWAYS BE NUMBERED AS SHOWN.

| | | | |
|---|---------|-------------------------|--------------|
| REV. DESC: REVISE TO SHOW OPTIONAL COLORS | | | |
| REV. LTR: E | BY: JLP | REVISED: 01/19/99 10:15 | TDR: 0171435 |
| 90000 | | FILE: AAA00005140 | MDL: - |
| | | MTL: - | |

BALDOR ELECTRIC Co.

3PH, DV, 9 LEADS

CD0005