

BALDOR® • RELIANCE

Product Information Packet

EJMM2515T

20HP/1765RPM/3PH/OPSB/SUPER-E/256JM

Copyright © All product information within this document is subject to Baldor Electric Company copyright © protection, unless otherwise noted.

Part Detail									
Revision:	S	Status:	PRD/A	Change #:		Proprietary:	No		
Type:	AC	Prod. Type:	3944M	Elec. Spec:	39WGW915	CD Diagram:			
Enclosure:	OPSB	Mfg Plant:		Mech. Spec:	39K62	Layout:			
Frame:	256JM	Mounting:	F1	Poles:	04	Created Date:			
Base:	RG	Rotation:	R	Insulation:	F	Eff. Date:	02-16-2012		
Leads:	9#10	Literature:		Elec. Diagram:		Replaced By:			
Nameplate NP1259L									
CAT.NO.	EJMM2515T								
SPEC.	39K062W915G1								
HP	20								
VOLTS	230/460								
AMP	47/23.5								
RPM	1765								
FRAME	256JM	HZ	60	PH	3				
SER.F.	1.15	CODE	H	DES	B	CL	F		
NEMA-NOM-EFF	93	PF	86						
RATING	40C AMB-CONT								
CC	010A	USABLE AT 208V	49.4						
DE	6309	ODE	6208						
ENCL	OPSB	SN							

Parts List		
Part Number	Description	Quantity
SA039376	SA 39K062W915G1	1.000 EA
RA035339	RA 39K062W915G1	1.000 EA
S/P107-000-005	SUPER-E PROC'S(254/6 FR.) ZK PLANT - POL	1.000 EA
HA6361A01	LIFTING LUG FOR 37, 39 & 40 FRAME (AUTOP	2.000 EA
HA6016	ADAPTER, CAST CONDUIT BOX	1.000 EA
09CB3002SP	CB W/1.38 LEAD HOLE FOR 37, 39, 307 & 30	1.000 EA
51XW2520A12	.25-20 X .75, TAPTITE II, HEX WSHR SLTD	2.000 EA
HW1001A25	LOCKWASHER 1/4, ZINC PLT .493 OD, .255 I	2.000 EA
WD1000B17	KPA-8C BURNDY TERMINAL	1.000 EA
11XW1032G06	10-32 X .38, TAPTITE II, HEX WSHR SLTD U	1.000 EA
HW4600B67	FORSHEDA #V45A FACE SEAL	1.000 EA
39EP3200A01SP	FR/PU ENDPLATE, MACH	1.000 EA
HA4051A00	PLASTIC CAP FOR GREASE FITTING	1.000 EA
HA1101A01	RODENT SCREEN, 39 MTR	1.000 EA
11XW1032G06	10-32 X .38, TAPTITE II, HEX WSHR SLTD U	4.000 EA
HW5100A08	W3118-035 WVY WSHR (WB)	1.000 EA
10XN2520K28	1/4-20 X 1.75" HX HD SCRWGRADE 5, ZINC P	4.000 EA
HW1001A25	LOCKWASHER 1/4, ZINC PLT .493 OD, .255 I	4.000 EA
39EP3400A02	STD FACE MTD ENDPLATE 309 BRG W/BAFFLE &	1.000 EA
HA4051A00	PLASTIC CAP FOR GREASE FITTING	1.000 EA
HA1101A03	RODENT SCREEN, 39 FACE MTD.E.P.	1.000 EA
11XW1032G06	10-32 X .38, TAPTITE II, HEX WSHR SLTD U	4.000 EA
XY3816A12	3/8-16 FINISHED NUT	8.000 EA
09CB3501SP	CONDUIT BOX LID FOR 09CB3001 & 09CB3002	1.000 EA

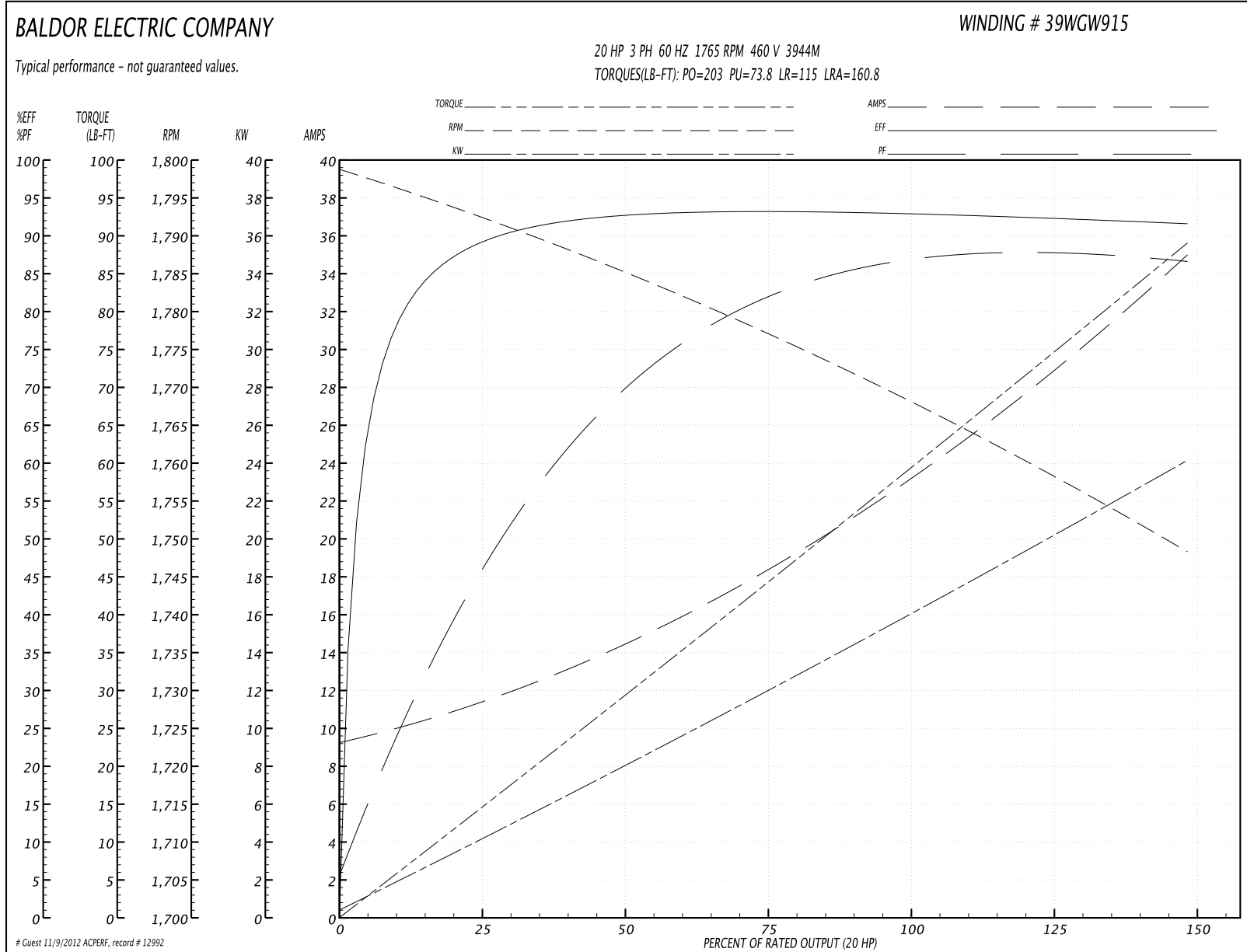
Parts List (continued)		
Part Number	Description	Quantity
51XW2520A12	.25-20 X .75, TAPTITE II, HEX WSHR SLTD	2.000 EA
HW2501E18	KEY, 1/4 SQ X 2.000	1.000 EA
LB1115	LABEL,LIFTING DEVICE	1.000 EA
HW4500A03	GREASE FITTING, .125 NPT 1610(ALEMITE) 8	1.000 EA
HW4500A20	1/8NPT SL PIPE PLUG	1.000 EA
MJ1000A75	GREASE, POLYREX EM EXXON	0.030 LB
HW4500A03	GREASE FITTING, .125 NPT 1610(ALEMITE) 8	1.000 EA
HW4500A20	1/8NPT SL PIPE PLUG	1.000 EA
85XU0407A04	#4-7 X 1/4 DRIVE PIN	2.000 EA
39AD2002A01	BAFFLE PLATE 39 OPEN, SLOTTED BAND MTRS	2.000 EA
HA3154A09	TB STUD 3/8-16 X 16.25	4.000 EA
MG1000Y03	WILKO 689.710 GOLD PAINT SUPER E	0.050 GA
LB1125C02	SUPER-E (STOCK CTN LABEL SUPER-E WITH FL	4.000 EA
LB1119	WARNING LABEL	1.000 EA
LC0181	CONNECTION LABEL	1.000 EA
NP1259L	ALUM SUPER-E UL CSA-EEV CC NEMA PREMIUM	1.000 EA
39PA1000	PACKAGING GROUP 39 PRINT	1.000 EA
LB5040	INSTRUCTION TAG, AC & DC	1.000 EA

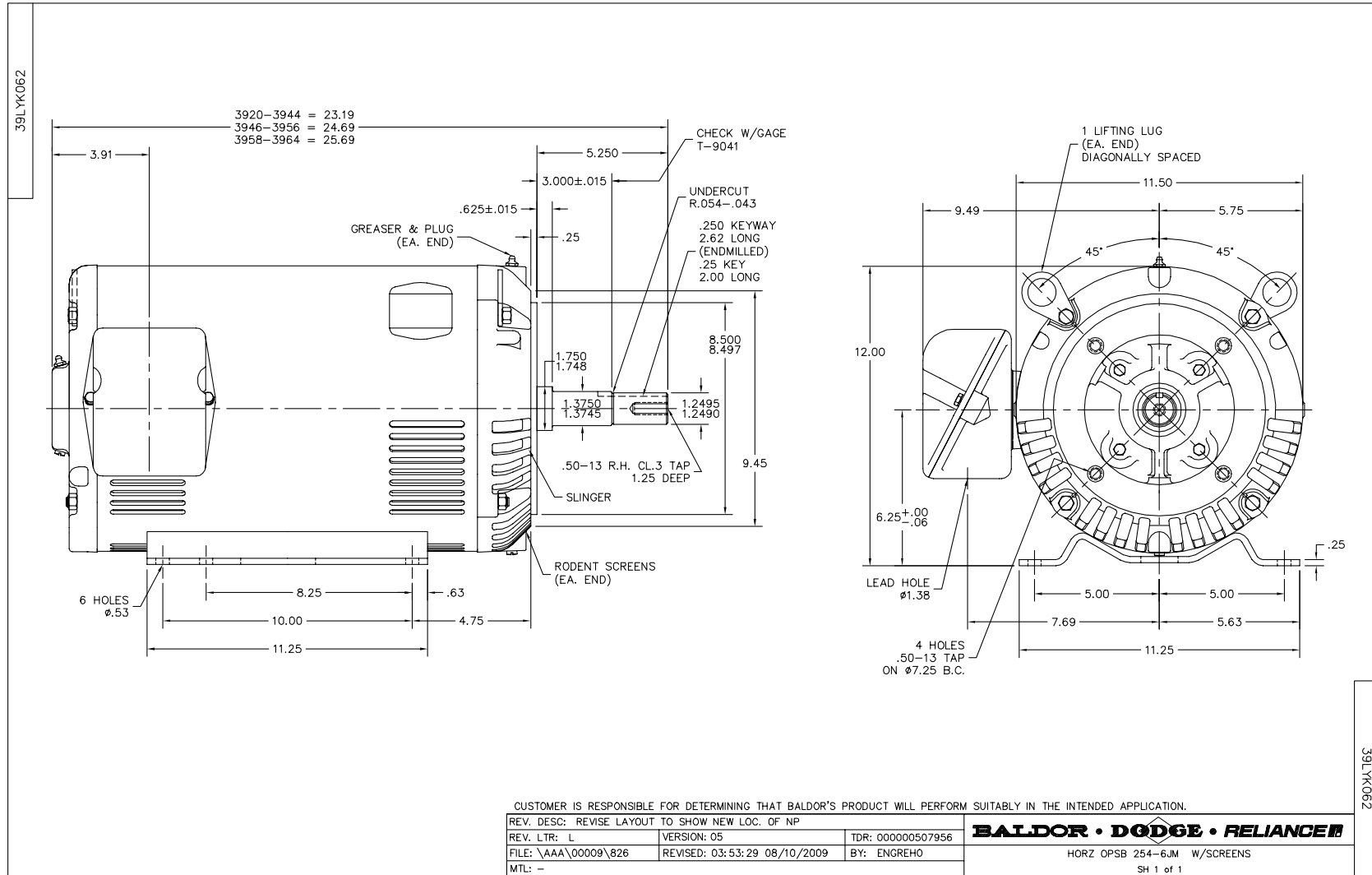
Performance Data at 460V, 60Hz, 20.0HP (Typical performance - Not guaranteed values)

General Characteristics			
Full Load Torque:	59.4 LB-FT	Start Configuration:	DOL
No-Load Current:	9.55 Amps	Break-Down Torque:	203.0 LB-FT
Line-line Res. @ 25°C.:	0.437 Ohms A Ph / 0.0 Ohms B Ph	Pull-Up Torque:	73.8 LB-FT
Temp. Rise @ Rated Load:	33 C	Locked-Rotor Torque:	115.0 LB-FT
Temp. Rise @ S.F. Load:	44 C	Starting Current:	160.8 Amps

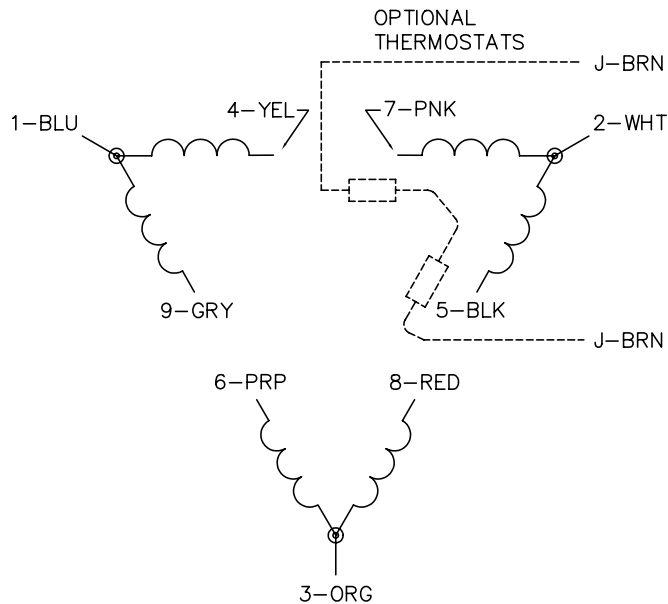
Load Characteristics							
% of Rated Load	25	50	75	100	125	150	S.F.
Power Factor:	48.0	71.0	81.0	86.0	88.0	88.0	87.0
Efficiency:	88.5	92.5	93.2	93.1	92.4	91.5	92.7
Speed:	1792.0	1785.0	1777.0	1768.0	1759.0	1748.0	1763.0
Line Amperes:	11.06	14.3	18.54	23.44	28.92	34.77	26.69

Performance Graph at 460V, 60Hz, 20.0HP Typical performance - Not guaranteed values

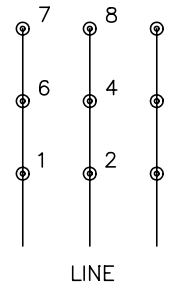




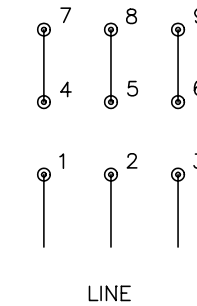
CD0180



LOW VOLTAGE
(2D)



HIGH VOLTAGE
(1D)



NOTES:

1. INTERCHANGE ANY TWO LINE LEADS TO REVERSE ROTATION.
2. OPTIONAL THERMOSTATS ARE PROVIDED WHEN SPECIFIED.
3. ACTUAL NUMBER OF INTERNAL PARALLEL CIRCUITS MAY BE A MULTIPLE OF THOSE SHOWN ABOVE.
4. LEAD COLORS ARE OPTIONAL. LEADS MUST ALWAYS BE NUMBERED AS SHOWN.

REV. DESC: REVISE TO SHOW OPTIONAL COLORS			
REV. LTR: C	BY: JLP	REVISED: 01/21/99 2:28	TDR: 0171435
0810D0		FILE: AAA00005148	MDL: -
		MTL: -	

BALDOR ELECTRIC Co.

3PH, DV, 9 LEADS, DELTA CONNECTION

CD0180