

BALDOR® • RELIANCE

Product Information Packet

EJMM2538T

40HP,3510RPM,3PH,60HZ,286JM,3956M,OPSB,F

Copyright © All product information within this document is subject to Baldor Electric Company copyright © protection, unless otherwise noted.

| Part Detail | | | | | | | |
|-------------|-------|-------------|-------|----------------|----------|---------------|------------|
| Revision: | A | Status: | PRD/A | Change #: | | Proprietary: | No |
| Type: | AC | Prod. Type: | 3956M | Elec. Spec: | 39WGX287 | CD Diagram: | |
| Enclosure: | OPSB | Mfg Plant: | | Mech. Spec: | 39E312 | Layout: | |
| Frame: | 286JM | Mounting: | F1 | Poles: | 02 | Created Date: | 06-22-2009 |
| Base: | RG | Rotation: | R | Insulation: | F | Eff. Date: | 01-03-2012 |
| Leads: | 9#8 | Literature: | | Elec. Diagram: | | Replaced By: | |

Nameplate NP2138L

| | | | | | | | |
|--------------|--------------|----------------|------------|-------------------------|-------|--------|------|
| CAT.NO. | EJMM2538T | P/N | | ENCLOSURE | OPSB | | |
| SPEC. | 39E312X287 | CC | 010A | FRAME | 286JM | S/N | |
| HP | 40 | CLASS | F | HZ | 60 | | |
| RPM | 3510 | PH | 3 | DES | B | | |
| VOLT | 230/460 | KVA-CODE | H | ODE BRG | 6208 | DE BRG | 6312 |
| AMP | 90/45 | USABLE AT 208V | 99 | | | | |
| RATING | 40C AMB-CONT | GREASE | POLYREX EM | | | | |
| NEMA-NOM-EFF | 92.4 | PF | 90 | SER.F. | 1.15 | | |
| | | | | | | | |
| HTR-VOLTS | | HTR-AMPS | | MAX. SPACE HEATER TEMP. | | | |

| Parts List | | |
|---------------|--|----------|
| Part Number | Description | Quantity |
| SA183167 | SA 39E312X287 | 1.000 EA |
| RA171050 | RA 39E312X287 | 1.000 EA |
| HW3201A01 | 1/2-13 EYEBOLT | 1.000 EA |
| 09CB2800A03 | ADAPTER MACH FOR 10CB3000 | 1.000 EA |
| 19XW3118A08 | .31-18 X .50 HEX WASHER HEAD TAPTITE II | 2.000 EA |
| HW1001A31 | LOCKWASHER 5/16, ZINC PLT.591 OD, .319 I | 2.000 EA |
| 10CB3000SP | STD KO BOX MODEL 310,312,314 MTRS W/2.00 | 1.000 EA |
| 19XW3118A12 | .31-18 X .75 HEX WASHER HEAD TAPTITE II | 4.000 EA |
| HW1001A31 | LOCKWASHER 5/16, ZINC PLT.591 OD, .319 I | 4.000 EA |
| WD1000B16 | KPA-4C BURNDY TERMINAL | 1.000 EA |
| 51XF2520A08 | SCREW, HEX SER SLT HD, ZN 1/4-20 X .50 L | 1.000 EA |
| HA1101A01 | RODENT SCREEN, 39 MTR | 1.000 EA |
| 51XW1032A06 | 10-32 X .38, TAPTITE II, HEX WSHR SLTD S | 4.000 EA |
| 39EP3200A01SP | FR/PU ENDPLATE, MACH | 1.000 EA |
| HW5100A08 | W3118-035 WVY WSHR (WB) | 1.000 EA |
| HA1221 | RODENT SCREEN 39EP1404 | 4.000 EA |
| HW3207A04 | CABLE TIE 5 5/8 X .14" BLACK | 8.000 EA |
| 39EP1404A07 | FACE MTD.EP MACH. 284-6 OPEN | 1.000 EA |
| HW4600B41 | V-RING SLINGER 2.125 X 2.880 X 0.280 | 1.000 EA |
| 10XN3118K40 | 5/16-18 X 2.50" HEX HD, GRADE 5 | 4.000 EA |
| HW1001A31 | LOCKWASHER 5/16, ZINC PLT.591 OD, .319 I | 4.000 EA |
| XY3816A12 | 3/8-16 FINISHED NUT | 4.000 EA |
| 10CB3500SP | CONDUIT BOX LID, CAST | 1.000 EA |
| 51XW2520A12 | .25-20 X .75, TAPTITE II, HEX WSHR SLTD | 4.000 EA |

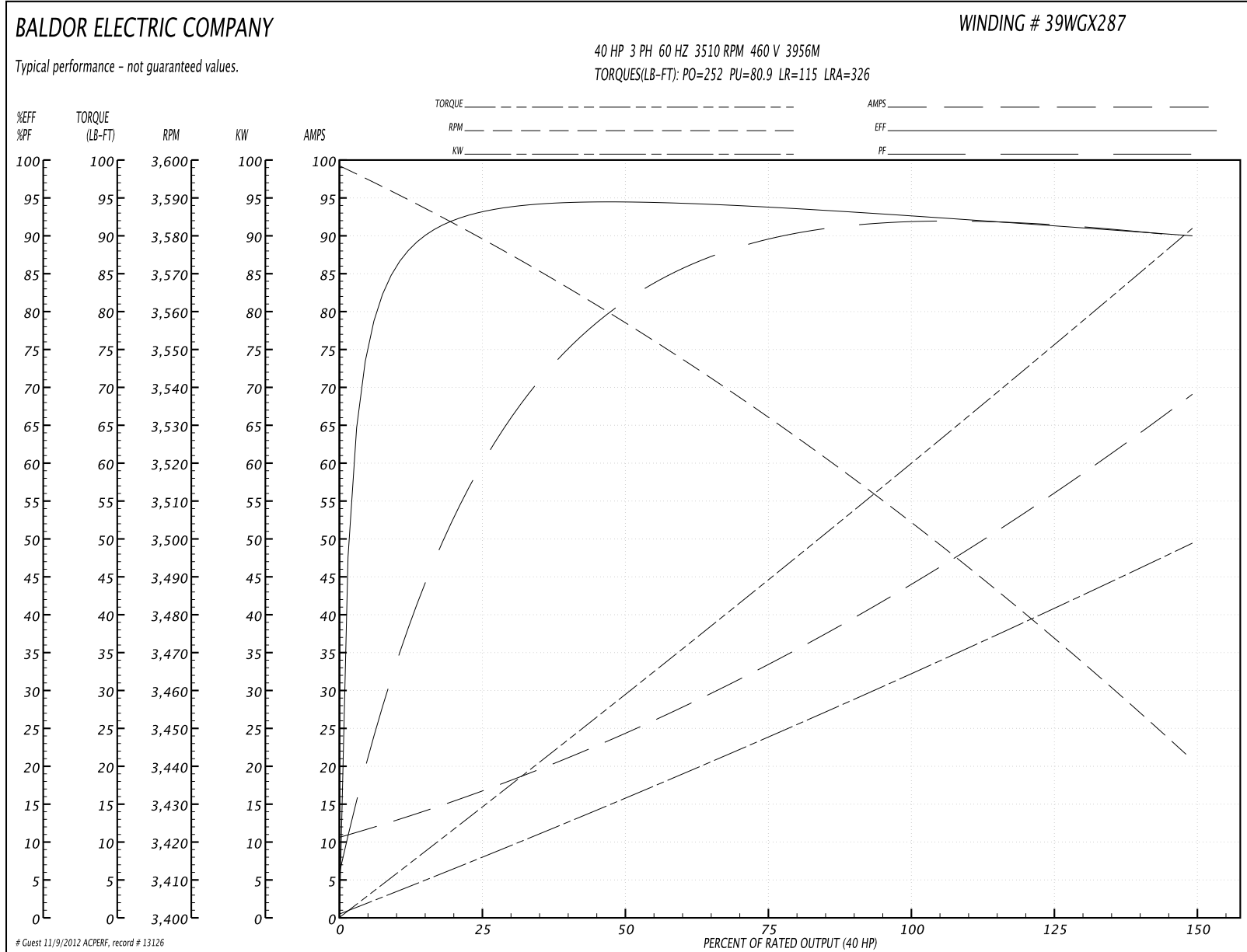
| Parts List (continued) | | |
|------------------------|--|----------|
| Part Number | Description | Quantity |
| HW2501E22 | KEY, 1/4 SQ X 2.500 | 1.000 EA |
| LB1115 | LABEL,LIFTING DEVICE | 1.000 EA |
| LB5040 | INSTRUCTION TAG, AC & DC | 1.000 EA |
| HW4500A03 | GREASE FITTING, .125 NPT 1610(ALEMITE) 8 | 1.000 EA |
| HW4500A20 | 1/8NPT SL PIPE PLUG | 1.000 EA |
| HA4051A00 | PLASTIC CAP FOR GREASE FITTING | 1.000 EA |
| MJ1000A75 | GREASE, POLYREX EM EXXON | 0.030 LB |
| HW4500A03 | GREASE FITTING, .125 NPT 1610(ALEMITE) 8 | 1.000 EA |
| HW4500A20 | 1/8NPT SL PIPE PLUG | 1.000 EA |
| HA4051A00 | PLASTIC CAP FOR GREASE FITTING | 1.000 EA |
| MG1000Y03 | WILKO 689.710 GOLD PAINT SUPER E | 0.050 GA |
| 85XU0407A04 | #4-7 X 1/4 DRIVE PIN | 4.000 EA |
| 39AD2002A01 | BAFFLE PLATE 39 OPEN, SLOTTED BAND MTRS | 1.000 EA |
| 39AD2002A01 | BAFFLE PLATE 39 OPEN, SLOTTED BAND MTRS | 1.000 EA |
| HA3113A05 | THRUBOLT 3/8 - 16 X 17.250 | 4.000 EA |
| LB1119 | WARNING LABEL | 1.000 EA |
| LB1125C02 | SUPER-E (STOCK CTN LABEL SUPER-E WITH FL | 4.000 EA |
| LB1357 | ENERGY GUIDE LABEL (BOX LABEL) | 1.000 SH |
| LC0181 | CONNECTION LABEL | 1.000 EA |
| NP2138L | ALUM SUPER-E UL CSA-EEV PREM CC (300 | 1.000 EA |
| 40PA1000 | PACKAGING GROUP | 1.000 EA |

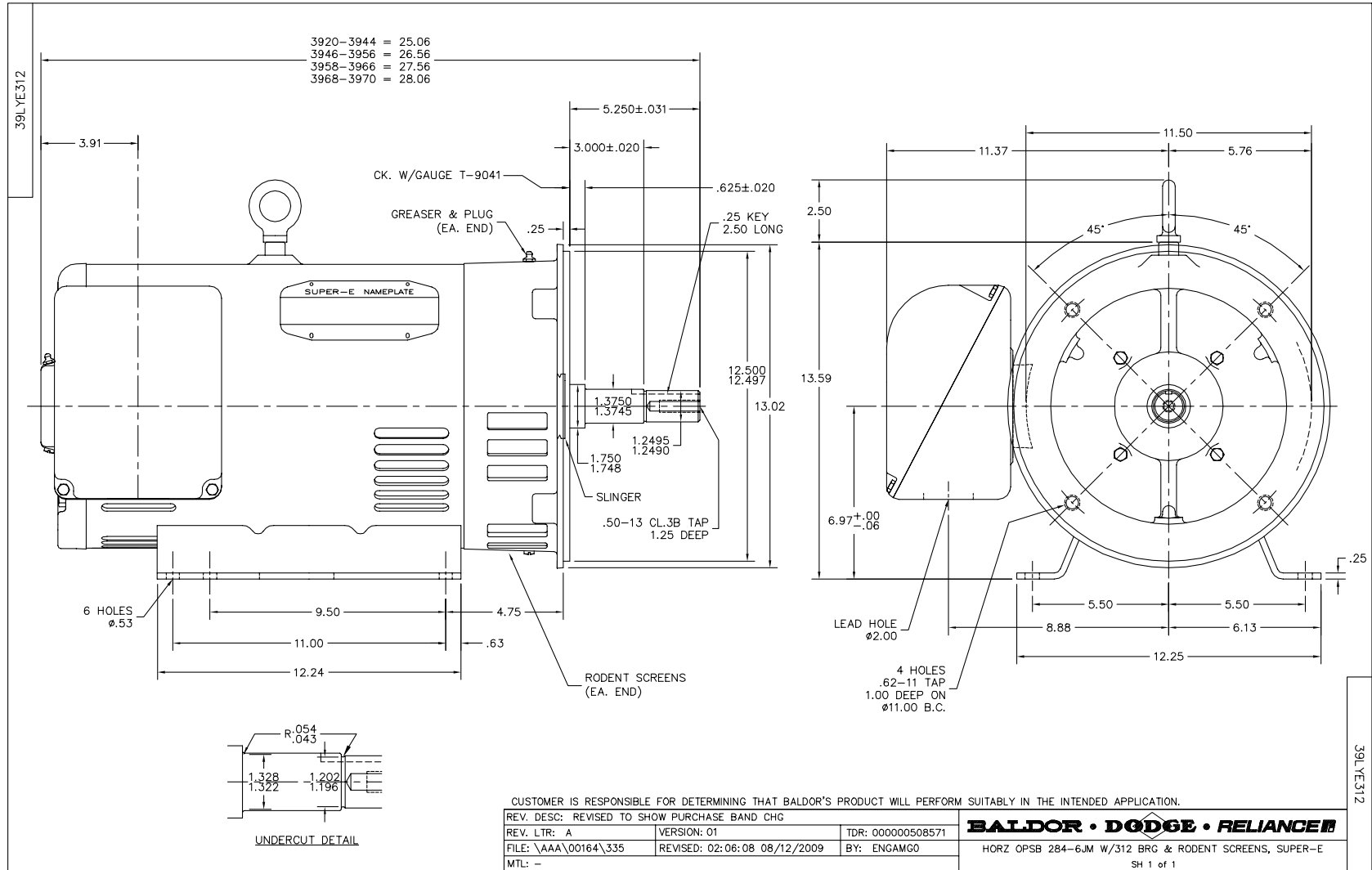
Performance Data at 460V, 60Hz, 40.0HP (Typical performance - Not guaranteed values)

| General Characteristics | | | |
|--------------------------|---------------------------------|----------------------|-------------|
| Full Load Torque: | 60.7 LB-FT | Start Configuration: | DOL |
| No-Load Current: | 11.3 Amps | Break-Down Torque: | 252.0 LB-FT |
| Line-line Res. @ 25°C.: | 0.211 Ohms A Ph / 0.0 Ohms B Ph | Pull-Up Torque: | 80.9 LB-FT |
| Temp. Rise @ Rated Load: | 60 C | Locked-Rotor Torque: | 115.0 LB-FT |
| Temp. Rise @ S.F. Load: | 77 C | Starting Current: | 326.0 Amps |

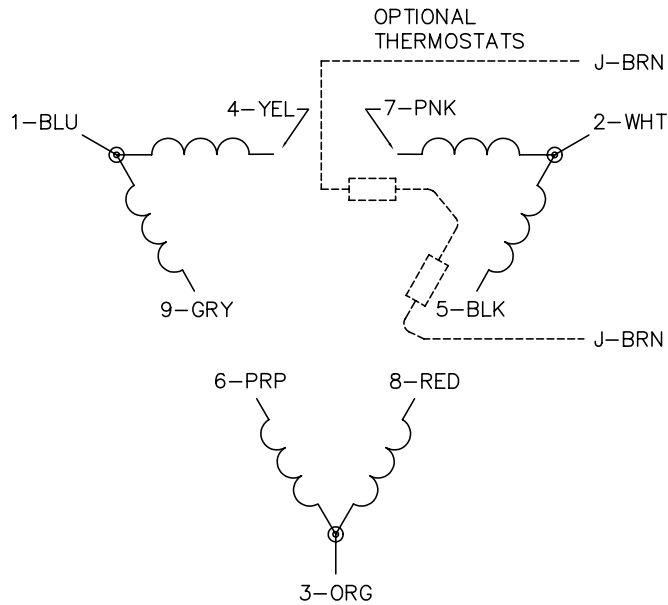
| Load Characteristics | | | | | | | |
|----------------------|--------|--------|--------|--------|--------|--------|--------|
| % of Rated Load | 25 | 50 | 75 | 100 | 125 | 150 | S.F. |
| Power Factor: | 65.0 | 82.0 | 88.0 | 90.0 | 91.0 | 92.0 | 91.0 |
| Efficiency: | 92.7 | 94.1 | 93.8 | 92.7 | 91.4 | 89.9 | 91.9 |
| Speed: | 3578.0 | 3555.0 | 3531.0 | 3503.0 | 3474.0 | 3441.0 | 3486.0 |
| Line Amperes: | 16.1 | 24.4 | 34.1 | 45.3 | 56.6 | 68.6 | 52.08 |

Performance Graph at 460V, 60Hz, 40.0HP Typical performance - Not guaranteed values

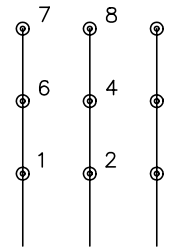




CD0180

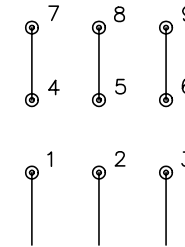


LOW VOLTAGE
(2D)



LINE

HIGH VOLTAGE
(1D)



LINE

NOTES:

1. INTERCHANGE ANY TWO LINE LEADS TO REVERSE ROTATION.
2. OPTIONAL THERMOSTATS ARE PROVIDED WHEN SPECIFIED.
3. ACTUAL NUMBER OF INTERNAL PARALLEL CIRCUITS MAY BE A MULTIPLE OF THOSE SHOWN ABOVE.
4. LEAD COLORS ARE OPTIONAL. LEADS MUST ALWAYS BE NUMBERED AS SHOWN.

| | | | |
|---|---------|------------------------|--------------|
| REV. DESC: REVISE TO SHOW OPTIONAL COLORS | | | |
| REV. LTR: C | BY: JLP | REVISED: 01/21/99 2:28 | TDR: 0171435 |
| 0810D0 | | FILE: AAA00005148 | MDL: - |
| | | MTL: - | |

BALDOR ELECTRIC Co.

3PH, DV, 9 LEADS, DELTA CONNECTION

CD0180