

# **BALDOR**® • *RELIANCE*

## Product Information Packet

# **EJMM3154T-G**

**1.5HP, 1755RPM, 3PH, 60HZ, 145JM, 3522M, OPSB**

Copyright © All product information within this document is subject to Baldor Electric Company copyright © protection, unless otherwise noted.

Part Detail							
Revision:	A	Status:	PRD/A	Change #:		Proprietary:	No
Type:	AC	Prod. Type:	3522M	Elec. Spec:	35WGM495	CD Diagram:	
Enclosure:	OPSB	Mfg Plant:		Mech. Spec:	35Z929	Layout:	
Frame:	145JM	Mounting:	F1	Poles:	04	Created Date:	12-06-2011
Base:	RG	Rotation:	R	Insulation:	H	Eff. Date:	08-13-2012
Leads:	9#18	Literature:		Elec. Diagram:		Replaced By:	

Nameplate NP1259L							
CAT.NO.	EJMM3154T-G						
SPEC.	35Z929M495G1						
HP	1.5						
VOLTS	230/460						
AMP	4.4/2.2						
RPM	1755						
FRAME	145JM	HZ	60	PH	3		
SER.F.	1.15	CODE	L	DES	B	CL	H
NEMA-NOM-EFF	86.5	PF	72				
RATING	40C AMB-CONT						
CC	010A	USABLE AT 208V	4.5				
DE	6206	ODE	6203				
ENCL	OPSB	SN					

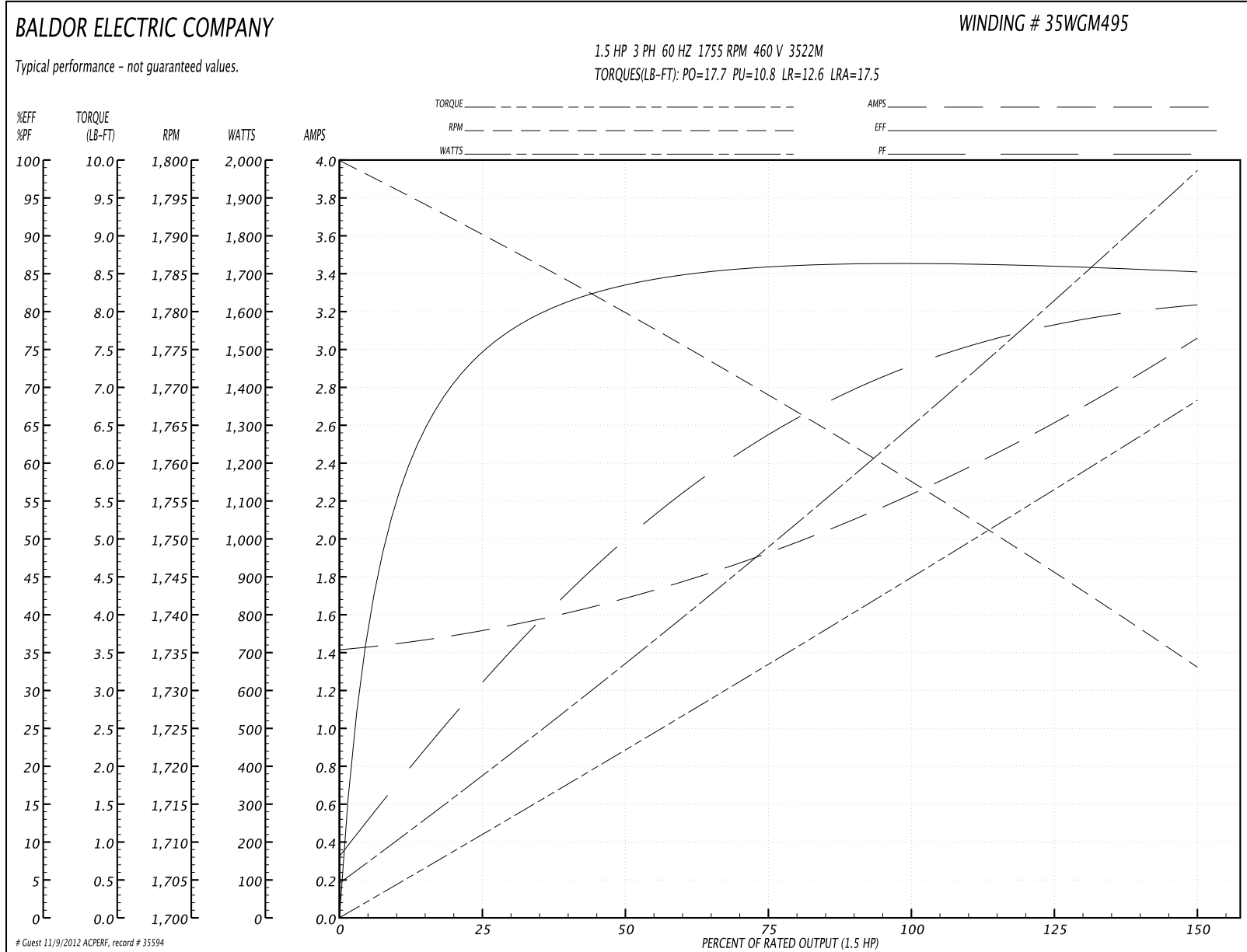
Parts List		
Part Number	Description	Quantity
SA235514	SA 35Z929M495G1	1.000 EA
RA222477	RA 35Z929M495G1	1.000 EA
S/P107-000-001	SUPER E PROC'S-FS & WS PLTS-POLYREX EM G	1.000 EA
NS2512A01	INSULATOR, CONDUIT BOX X	1.000 EA
35CB3009	35 CB CASTING W/1.09 DIA. LEAD HOLE @ 6:	1.000 EA
51XB1016A07	10-16 X 7/16 HXWSSLD SERTYB	2.000 EA
11XW1032G06	10-32 X .38, TAPTITE II, HEX WSHR SLTD U	1.000 EA
35EP3201A01	STD FR ENDPLATE-OPEN-203 BRG W/GREASER	1.000 EA
HW4500A01	1641B(ALEMITE)400 UNIV, GREASE FITT	1.000 EA
HA1100A03	SCREEN, RODENT	1.000 EA
51XT1032A04	10-32X1/4 HX WA SL SR TYT (F/S)	4.000 EA
HW1000A10	#10 FLAT WASHER (SAE)	4.000 EA
HW5100A03SP	WAVY WASHER (W1543-017)	1.000 EA
BP5325A01	AEGIS SH GRD ASSY W/RETAINER RING	1.000 EA
35EP3401A03	PU ENDPLATE -OPEN W/SCREENS & GREASER W/	1.000 EA
HW4500A01	1641B(ALEMITE)400 UNIV, GREASE FITT	1.000 EA
HA1102A08	RODENT SCREEN 35 OPEN FACE MTD	1.000 EA
51XT1032A04	10-32X1/4 HX WA SL SR TYT (F/S)	4.000 EA
51XN1032A20	10-32 X 1 1/4 HX WS SL SR	2.000 EA
35CB4521	35 LIPPED CB LID (GALV & PHOSPH)	1.000 EA
51XW0832A07	8-32 X .44, TAPTITE II, HEX WSHR SLTD SE	4.000 EA
HA1005A02SP	SLINGER, OD 2.00, ID 1.14, 206 BRG,	1.000 EA
HW2501D13SP	KEY, 3/16 SQ X 1.375	1.000 EA
HA7000A01	KEY RETAINER 7/8" DIA SHAFT	1.000 EA

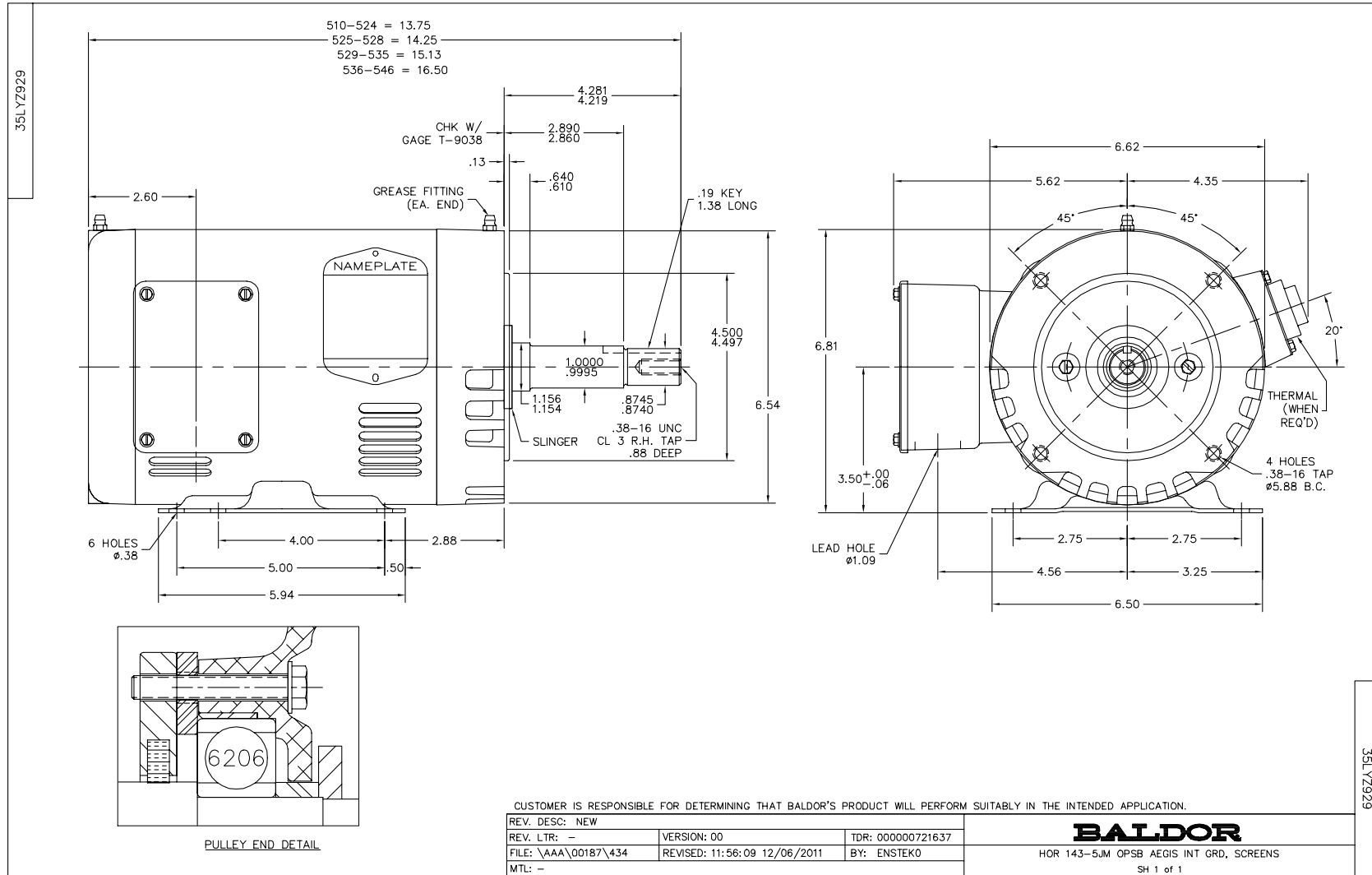
Parts List (continued)		
Part Number	Description	Quantity
85XU0407S04	4X1/4 U DRIVE PIN STAINLESS	2.000 EA
LB1459	AEGIS SGR LABEL "AEGISLBL-100"	1.000 EA
HW1000A10	#10 FLAT WASHER (SAE)	4.000 EA
MJ1000A75	GREASE, POLYREX EM EXXON	0.050 LB
HA3100A14	THRUBOLT 10-32 X 7.875	4.000 EA
MG1000Y03	WILKO 689.710 GOLD PAINT SUPER E	0.017 GA
35AD2005A01	BAFFLE PLATE,MOD 35-SLTD BAND MTRS TDR	2.000 EA
LB1125C02	SUPER-E (STOCK CTN LABEL SUPER-E WITH FL	1.000 EA
LC0005E01	CONN.DIA./WARNING LABEL (LC0005/LB1119)	1.000 EA
LB1357	ENERGY GUIDE LABEL (BOX LABEL)	1.000 SH
NP1259L	ALUM SUPER-E UL CSA-EEV CC NEMA PREMIUM	1.000 EA
36PA1000	PACK GROUP W/LB5001	1.000 EA

**Performance Data at 460V, 60Hz, 1.5HP (Typical performance - Not guaranteed values)**

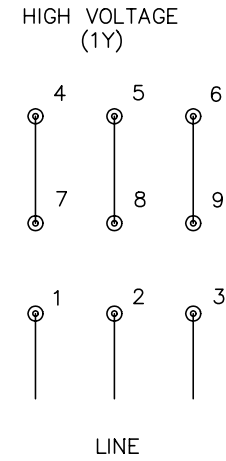
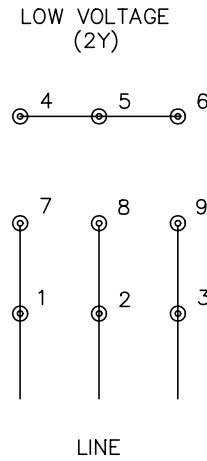
General Characteristics							
Full Load Torque:	4.46 LB-FT			Start Configuration:	DOL		
No-Load Current:	1.43 Amps			Break-Down Torque:	17.7 LB-FT		
Line-line Res. @ 25°C.:	11.1 Ohms A Ph / 0.0 Ohms B Ph			Pull-Up Torque:	10.8 LB-FT		
Temp. Rise @ Rated Load:	34 C			Locked-Rotor Torque:	12.6 LB-FT		
Temp. Rise @ S.F. Load:	40 C			Starting Current:	17.5 Amps		
Load Characteristics							
% of Rated Load	25	50	75	100	125	150	S.F.
Power Factor:	32.0	50.0	63.0	72.0	78.0	81.0	76.0
Efficiency:	74.7	83.3	85.9	86.5	86.1	85.2	86.3
Speed:	1790.0	1780.0	1769.0	1758.0	1746.0	1733.0	1751.0
Line Amperes:	1.5	1.67	1.93	2.24	2.61	3.05	2.46

Performance Graph at 460V, 60Hz, 1.5HP Typical performance - Not guaranteed values





CD0005



NOTES:

1. INTERCHANGE ANY TWO LINE LEADS TO REVERSE ROTATION.
2. OPTIONAL THERMOSTATS ARE PROVIDED WHEN SPECIFIED.
3. ACTUAL NUMBER OF INTERNAL PARALLEL CIRCUITS MAY BE A MULTIPLE OF THOSE SHOWN ABOVE.
4. LEAD COLORS ARE OPTIONAL. LEADS MUST ALWAYS BE NUMBERED AS SHOWN.

REV. DESC: REVISE TO SHOW OPTIONAL COLORS			
REV. LTR: E	BY: JLP	REVISED: 01/19/99 10:15	TDR: 0171435
90000		FILE: AAA00005140	MDL: -
		MTL: -	

**BALDOR ELECTRIC Co.**

3PH, DV, 9 LEADS

CD0005