

BALDOR® • RELIANCE

Product Information Packet

WALKER INDUSTRIAL PRODUCTS, INC.

EJMM3218T-5

5HP, 1750RPM, 3PH, 60HZ, 184JM, 3640M, OPSB, F1

Part Detail							
Revision:	A	Status:	PRD/A	Change #:		Proprietary:	No
Type:	AC	Prod. Type:	3640M	Elec. Spec:	36WGS594	CD Diagram:	CD0006
Enclosure:	OPSB	Mfg Plant:		Mech. Spec:	36H823	Layout:	36LYH823
Frame:	184JM	Mounting:	F1	Poles:	04	Created Date:	08-17-2015
Base:	RG	Rotation:	R	Insulation:	F	Eff. Date:	11-07-2016
Leads:	3#16					Replaced By:	
Literature:		Elec. Diagram:					

Nameplate NP1259L										
CAT.NO.	EJMM3218T-5									
SPEC.	36H823S594G1									
HP	5									
VOLTS	575									
AMP	5.3									
RPM	1750									
FRAME	184JM				HZ	60			PH	3
SER.F.	1.15		CODE	J	DES	B		CL	F	
NEMA-NOM-EFF	89.5		PF	80						
RATING	40C AMB-CONT									
CC	010A				USABLE AT 208V					
DE	6207				ODE	6205				
ENCL	OPSB		SN							

AC Induction Motor Performance Data

Record # 32599 - Typical performance - not guaranteed values

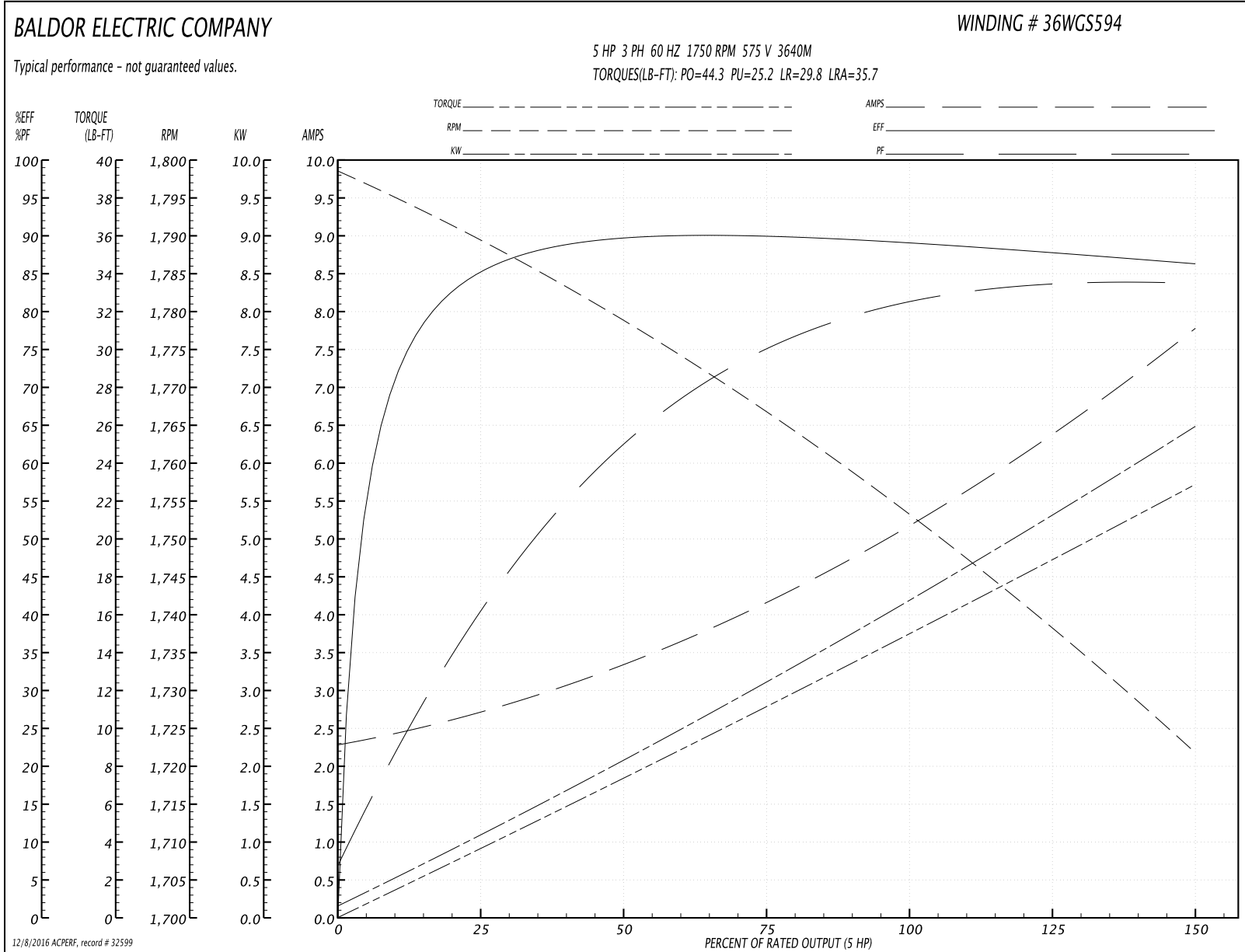
Winding: 36WGS594-R001	Type: 3640M	Enclosure: OPSB
-------------------------------	--------------------	------------------------

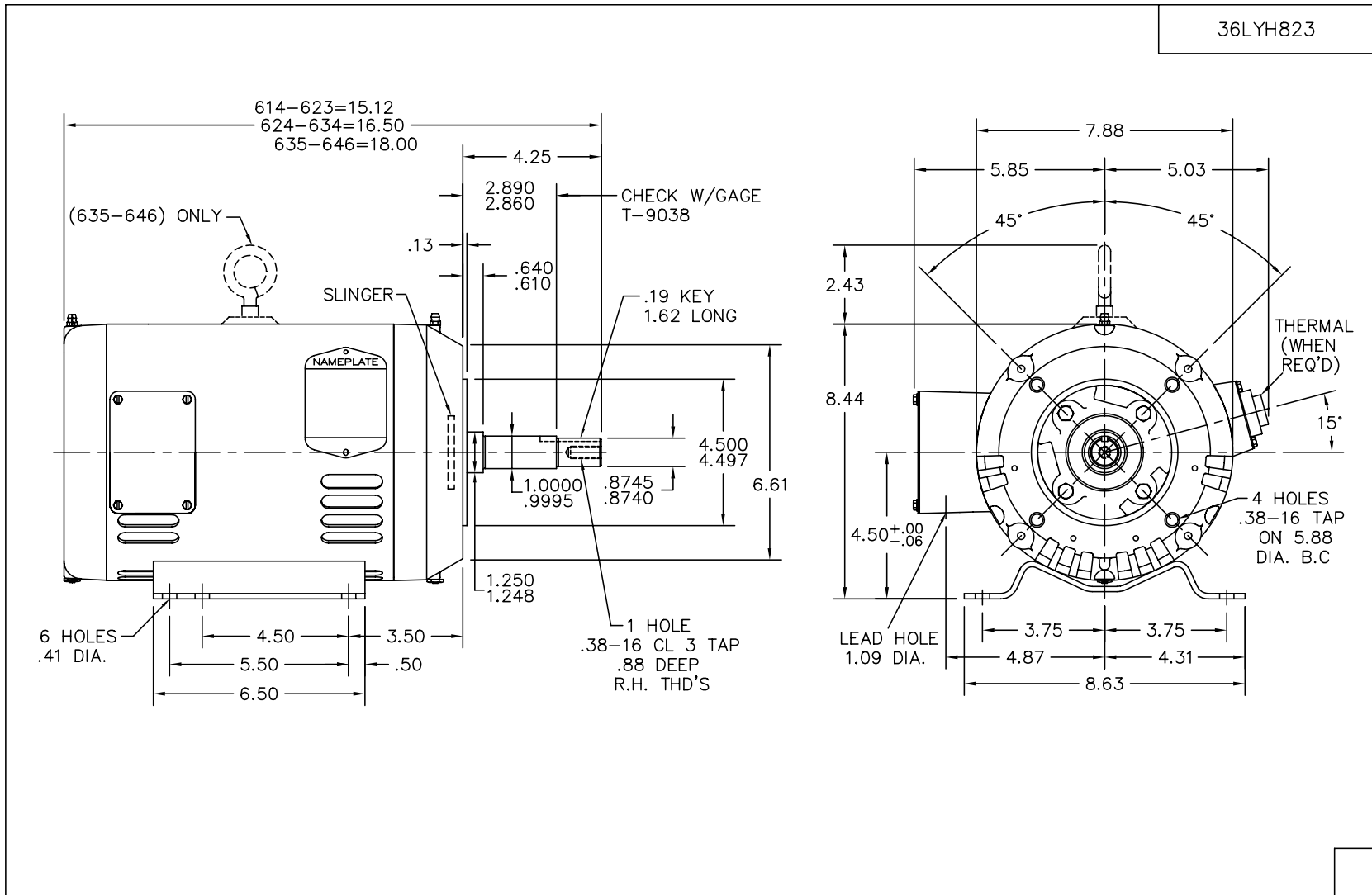
Nameplate Data				575 V, 60 Hz: Single Voltage Motor	
Rated Output (HP)	5			Full Load Torque	15 LB-FT
Volts	575			Start Configuration	direct on line
Full Load Amps	5.3			Breakdown Torque	44.3 LB-FT
R.P.M.	1750			Pull-up Torque	25.2 LB-FT
Hz	60	Phase	3	Locked-rotor Torque	29.8 LB-FT
NEMA Design Code	B	KVA Code	J	Starting Current	35.7 A
Service Factor (S.F.)	1.15			No-load Current	2.35 A
NEMA Nom. Eff.	89.5	Power Factor	80	Line-line Res. @ 25°C	4.15 Ω
Rating - Duty	40C AMB-CONT			Temp. Rise @ Rated Load	44°C
S.F. Amps				Temp. Rise @ S.F. Load	55°C
				Locked-rotor Power Factor	41
				Rotor inertia	0.372 LB-FT ²

Load Characteristics 575 V, 60 Hz, 5 HP

% of Rated Load	25	50	75	100	125	150	S.F.
Power Factor	43	64	75	80	83	84	82
Efficiency	84.6	89.3	89.7	89.5	88.1	86.1	88.6
Speed	1789	1778	1767	1753	1739	1721	1745
Line amperes	2.64	3.29	4.19	5.26	6.43	7.74	5.96

Performance Graph at 575V, 60Hz, 5.0HP Typical performance - Not guaranteed values

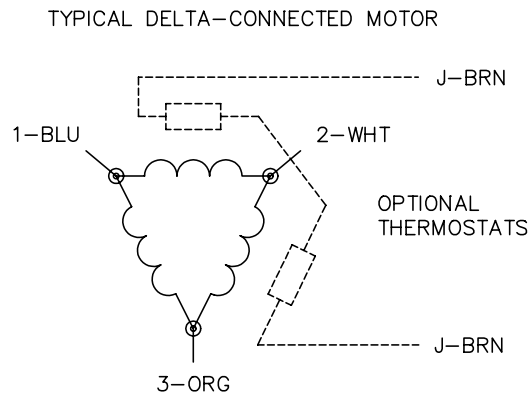
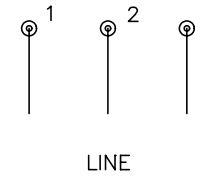
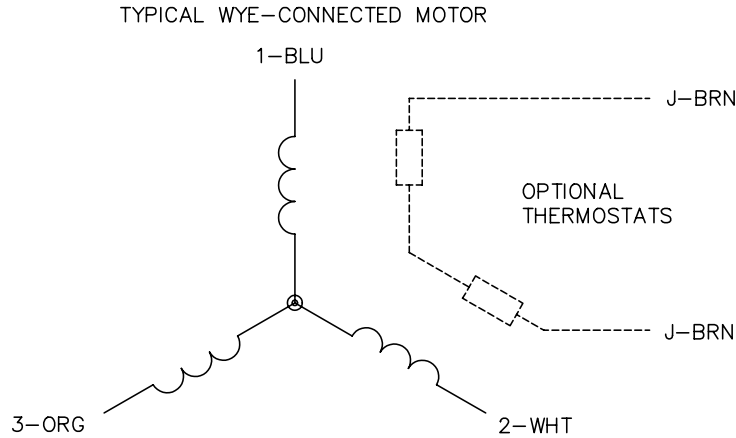




CUST. NAME		CUST. P.O.		CERTIFIED BY		MODEL		INSUL		AMB	
H.P.		MTG		TYPE		R.P.M.		VOLTS		ENCL	
PHASE		FREQ		FRAME							
REV. DESC: UPDATED KEY NOTE TO MATCH BOM, SEE EC09											
REV. LTR: C		BY: JED		REVISED: 11/11/99 10:23				TDR: 0195253			
ΩΖ8ΗΛ79Ζ				FILE: AAA00044140				MDL: -			
MTL: -				BALDOR ELECTRIC Co.							
				HORZ 182-4JM OPSB 36M W/SCREENS							

36LYH823

CD0006



NOTES:

1. THREE LEAD MOTOR MAY BE EITHER WYE CONNECTED OR DELTA CONNECTED.
2. INTERCHANGE ANY TWO LINE LEADS TO REVERSE ROTATION.
3. OPTIONAL THERMOSTATS ARE PROVIDED WHEN SPECIFIED.
4. ACTUAL NUMBER OF INTERNAL PARALLEL CIRCUITS MAY VARY.
5. LEAD COLORS ARE OPTIONAL. LEADS MUST BE NUMBERED AS SHOWN.

REV. DESC: REVISE TO SHOW OPTIONAL COLORS			
REV. LTR: D	BY: JLP	REVISED: 01/21/99 4:02	TDR: 0171435
9000D		FILE: AAA00005141	MDL: -
		MTL: -	

BALDOR ELECTRIC Co.

3PH, SV, 3 LEADS, WYE OR DELTA CONNECTED

CD0006