

# **BALDOR**® • **RELIANCE**

## **Product Information Packet**

# **EJMM3218T-G**

**5HP, 1750RPM, 3PH, 60HZ, 184JM, 3640M, OPSB, F1**

Copyright © All product information within this document is subject to Baldor Electric Company copyright © protection, unless otherwise noted.

Part Detail							
Revision:	C	Status:	PRD/A	Change #:		Proprietary:	No
Type:	AC	Prod. Type:	3640M	Elec. Spec:	36WGS270	CD Diagram:	
Enclosure:	OPSB	Mfg Plant:		Mech. Spec:	36T140	Layout:	
Frame:	184JM	Mounting:	F1	Poles:	04	Created Date:	12-08-2010
Base:	RG	Rotation:	R	Insulation:	H	Eff. Date:	03-13-2012
Leads:	9#16	Literature:		Elec. Diagram:		Replaced By:	

Nameplate NP1259L							
CAT.NO.	EJMM3218T-G						
SPEC.	36T140S270G1						
HP	5						
VOLTS	208-230/460						
AMP	14-13.2/6.6						
RPM	1750						
FRAME	184JM	HZ	60	PH	3		
SER.F.	1.15	CODE	J	DES	B	CL	H
NEMA-NOM-EFF	89.5	PF	80				
RATING	40C AMB-CONT						
CC	010A	USABLE AT 208V	14				
DE	6207	ODE	6205				
ENCL	OPSB	SN					

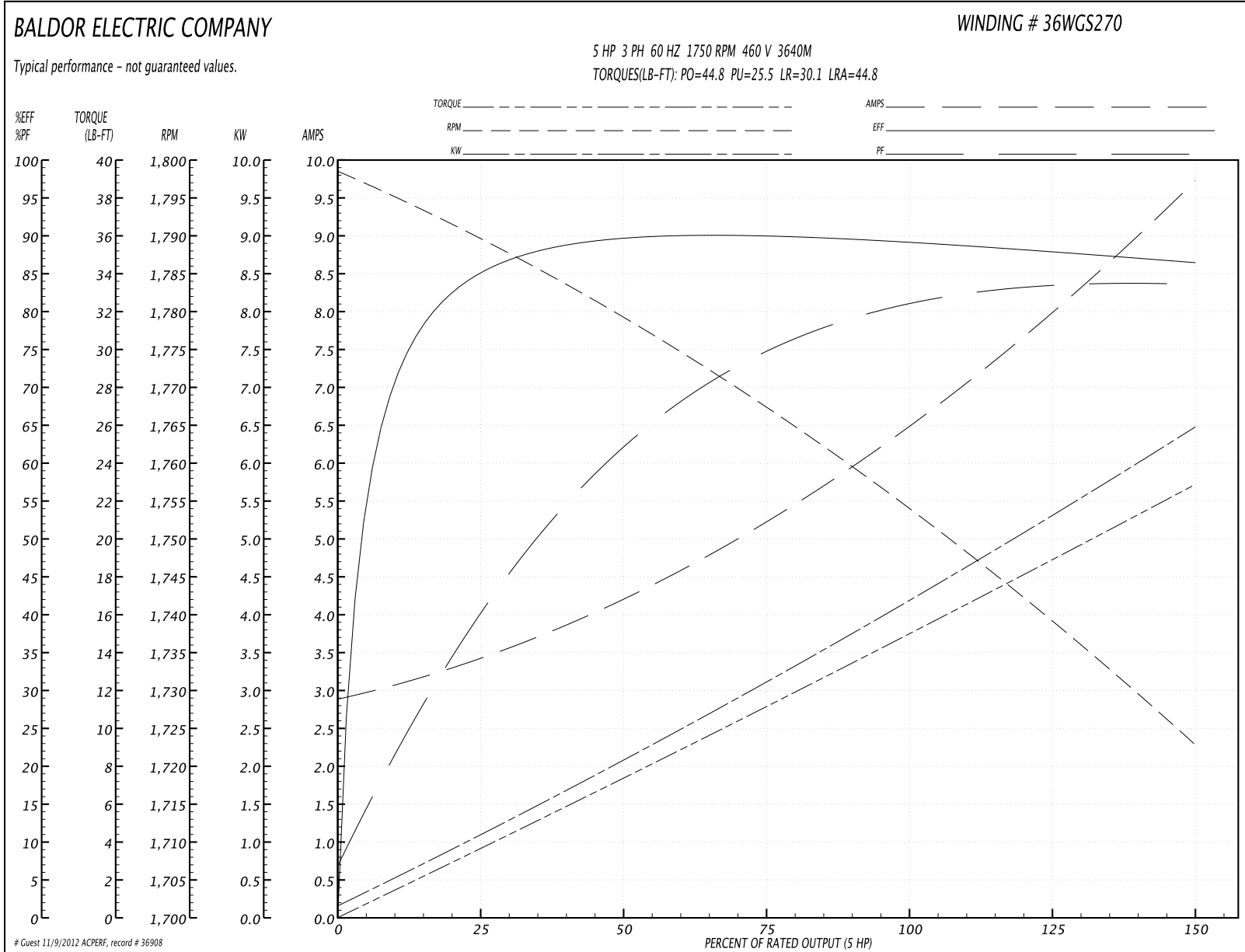
Parts List		
Part Number	Description	Quantity
SA212826	SA 36T140S270G1	1.000 EA
RA200055	RA 36T140S270G1	1.000 EA
S/P107-000-001	SUPER E PROC'S-FS & WS PLTS-POLYREX EM G	1.000 EA
36CB3000SP	CONDUIT BOX, CAST	1.000 EA
51XB1016A07	10-16 X 7/16 HXWSSLD SERTYB	2.000 EA
11XW1032G06	10-32 X .38, TAPTITE II, HEX WSHR SLTD U	1.000 EA
HW3001B01	003SS CUP WASHER, FOR #8 SCREW	1.000 EA
36EP3200A25	FR ENDPLATE, MACH	1.000 EA
HA1103A08	RODENT SCREEN, 36 FRAME, OPEN, FRONT END	1.000 EA
51XW1032A06	10-32 X .38, TAPTITE II, HEX WSHR SLTD S	4.000 EA
HW1000A10	#10 FLAT WASHER (SAE)	4.000 EA
HW4500A01	1641B(ALEMITE)400 UNIV, GREASE FITT	1.000 EA
HW4500A17	317400 ALEMITE GREASE RELIEF	1.000 EA
HW5100A05	WVY WSHR F/205 & 304 BRGS	1.000 EA
BP5316A01	AEGIS SH GRD ASSY W/RETAINER RING	1.000 EA
10XN2520A24	1/4-20X 1 1/2 HEX HD X	4.000 EA
HW1001A25	LOCKWASHER 1/4, ZINC PLT .493 OD, .255 I	4.000 EA
36EP3405A04	PUEP 182-4C OPEN 207 BRG W/ TSLV, GRSR	1.000 EA
HA1102A11	SCREEN, RODENT FOR 36EP3405	2.000 EA
51XW1032A06	10-32 X .38, TAPTITE II, HEX WSHR SLTD S	4.000 EA
HW1000A10	#10 FLAT WASHER (SAE)	4.000 EA
HW4500A01	1641B(ALEMITE)400 UNIV, GREASE FITT	1.000 EA
HW4500A17	317400 ALEMITE GREASE RELIEF	1.000 EA
35CB4514	35 LIPPED CB LID	1.000 EA

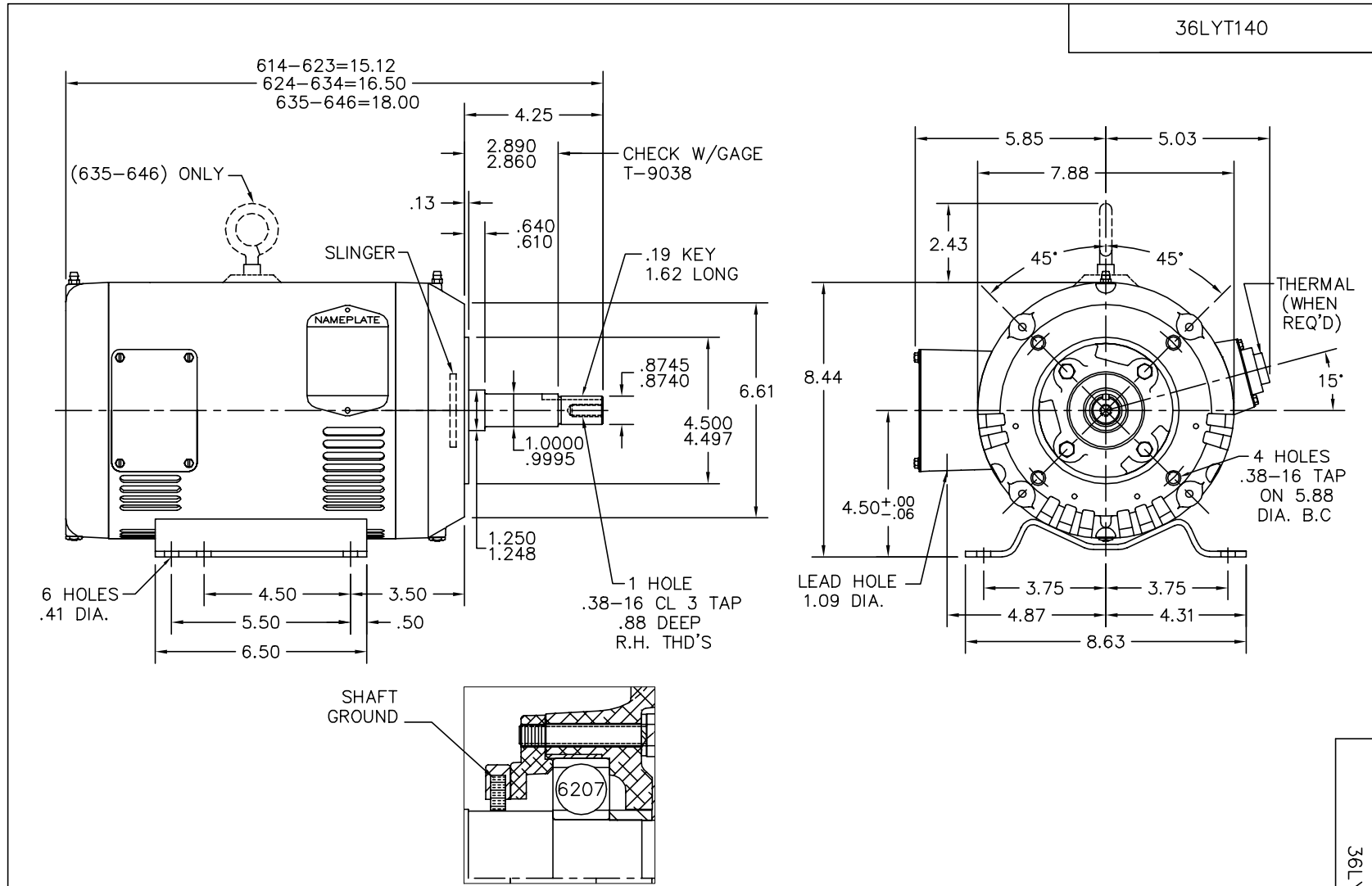
Parts List (continued)		
Part Number	Description	Quantity
51XW0832A07	8-32 X .44, TAPTITE II, HEX WSHR SLTD SE	4.000 EA
HA1005A07SP	SLINGER, OD 2.25, ID 1.344, 307 BRG	1.000 EA
HW2501D15	KEY, 3/16 X 1.625	1.000 EA
HA7000A01	KEY RETAINER 7/8" DIA SHAFT	1.000 EA
85XU0407S04	4X1/4 U DRIVE PIN STAINLESS	2.000 EA
LB1459	AEGIS SGR LABEL "AEGISLBL-100"	1.000 EA
HW3200A01	3/8-16X3/4 I-BLT WELDED F/S	1.000 EA
MJ1000A75	GREASE, POLYREX EM EXXON	0.050 LB
MG1000Y03	WILKO 689.710 GOLD PAINT SUPER E	0.022 GA
LB1115	LABEL,LIFTING DEVICE	1.000 EA
HA3101A28	THRUBOLT 1/4-20 X 12.500 OHIO ROD	4.000 EA
36AD2004A01	BAFFLE PLATE,MOD 36-SLTD BAND MTRS DELTA	2.000 EA
LC0005E01	CONN.DIA./WARNING LABEL (LC0005/LB1119)	1.000 EA
LB1125C02	SUPER-E (STOCK CTN LABEL SUPER-E WITH FL	1.000 EA
LB1357	ENERGY GUIDE LABEL (BOX LABEL)	1.000 SH
NP1259L	ALUM SUPER-E UL CSA-EEV CC NEMA PREMIUM	1.000 EA
36PA1001	PACKAGING GROUP	1.000 EA

**Performance Data at 460V, 60Hz, 5.0HP (Typical performance - Not guaranteed values)**

General Characteristics							
Full Load Torque:	15.0 LB-FT			Start Configuration:	DOL		
No-Load Current:	2.97 Amps			Break-Down Torque:	44.8 LB-FT		
Line-line Res. @ 25°C.:	2.62 Ohms A Ph / 0.0 Ohms B Ph			Pull-Up Torque:	25.5 LB-FT		
Temp. Rise @ Rated Load:	44 C			Locked-Rotor Torque:	30.1 LB-FT		
Temp. Rise @ S.F. Load:	54 C			Starting Current:	44.8 Amps		
Load Characteristics							
% of Rated Load	25	50	75	100	125	150	S.F.
Power Factor:	42.0	64.0	75.0	80.0	83.0	84.0	82.0
Efficiency:	84.4	89.3	89.8	89.4	88.3	86.2	88.7
Speed:	1789.0	1779.0	1767.0	1754.0	1740.0	1722.0	1746.0
Line Amperes:	3.33	4.14	5.26	6.59	8.05	9.68	7.47

Performance Graph at 460V, 60Hz, 5.0HP Typical performance - Not guaranteed values





CUSTOMER IS RESPONSIBLE FOR DETERMINING THAT BALDOR'S PRODUCT WILL PERFORM SUITABLY IN THE INTENDED APPLICATION.

REV. DESC: NEW			<b>BALDOR • DODGE • RELIANCE</b>
REV. LTR: -	VERSION: 00	TDR: 000000569637	
FILE: \AAA\00177\730		REVISED: 11:21:38 12/08/2010	HORZ 182-4JM OPSB 36M W/SCREENS, AEGIS INT GROUND RING
MTL: -		BY: ENROSTO	SH 1 of 1

36LYT140

CD0005



LOW VOLTAGE  
(2Y)



LINE

HIGH VOLTAGE  
(1Y)



LINE

NOTES:

1. INTERCHANGE ANY TWO LINE LEADS TO REVERSE ROTATION.
2. OPTIONAL THERMOSTATS ARE PROVIDED WHEN SPECIFIED.
3. ACTUAL NUMBER OF INTERNAL PARALLEL CIRCUITS MAY BE A MULTIPLE OF THOSE SHOWN ABOVE.
4. LEAD COLORS ARE OPTIONAL. LEADS MUST ALWAYS BE NUMBERED AS SHOWN.

REV. DESC: REVISE TO SHOW OPTIONAL COLORS			
REV. LTR: E	BY: JLP	REVISED: 01/19/99 10:15	TDR: 0171435
90000		FILE: AAA00005140	MDL: -
		MTL: -	

**BALDOR ELECTRIC Co.**

3PH, DV, 9 LEADS

CD0005