

BALDOR® • RELIANCE

Product Information Packet

EJMM3610T-G

3HP,3450RPM,3PH,60HZ,182JM,3532M,TEFC,F1

Copyright © All product information within this document is subject to Baldor Electric Company copyright © protection, unless otherwise noted.

Part Detail							
Revision:	A	Status:	PRD/A	Change #:		Proprietary:	No
Type:	AC	Prod. Type:	3532M	Elec. Spec:	35WQG060	CD Diagram:	
Enclosure:	TEFC	Mfg Plant:		Mech. Spec:	35Z952	Layout:	
Frame:	182JM	Mounting:	F1	Poles:	02	Created Date:	11-22-2011
Base:	RG	Rotation:	R	Insulation:	H	Eff. Date:	12-15-2011
Leads:	9#18	Literature:		Elec. Diagram:		Replaced By:	

Nameplate NP1259L							
CAT.NO.	EJMM3610T-G						
SPEC.	35Z952Q060G1						
HP	3						
VOLTS	208-230/460						
AMP	7.9-7.2/3.6						
RPM	3450						
FRAME	182JM	HZ	60	PH	3		
SER.F.	1.15	CODE	L	DES	B	CL	H
NEMA-NOM-EFF	86.5	PF	92				
RATING	40C AMB-CONT						
CC	010A	USABLE AT 208V					
DE	6207	ODE	6205				
ENCL	TEFC	SN					

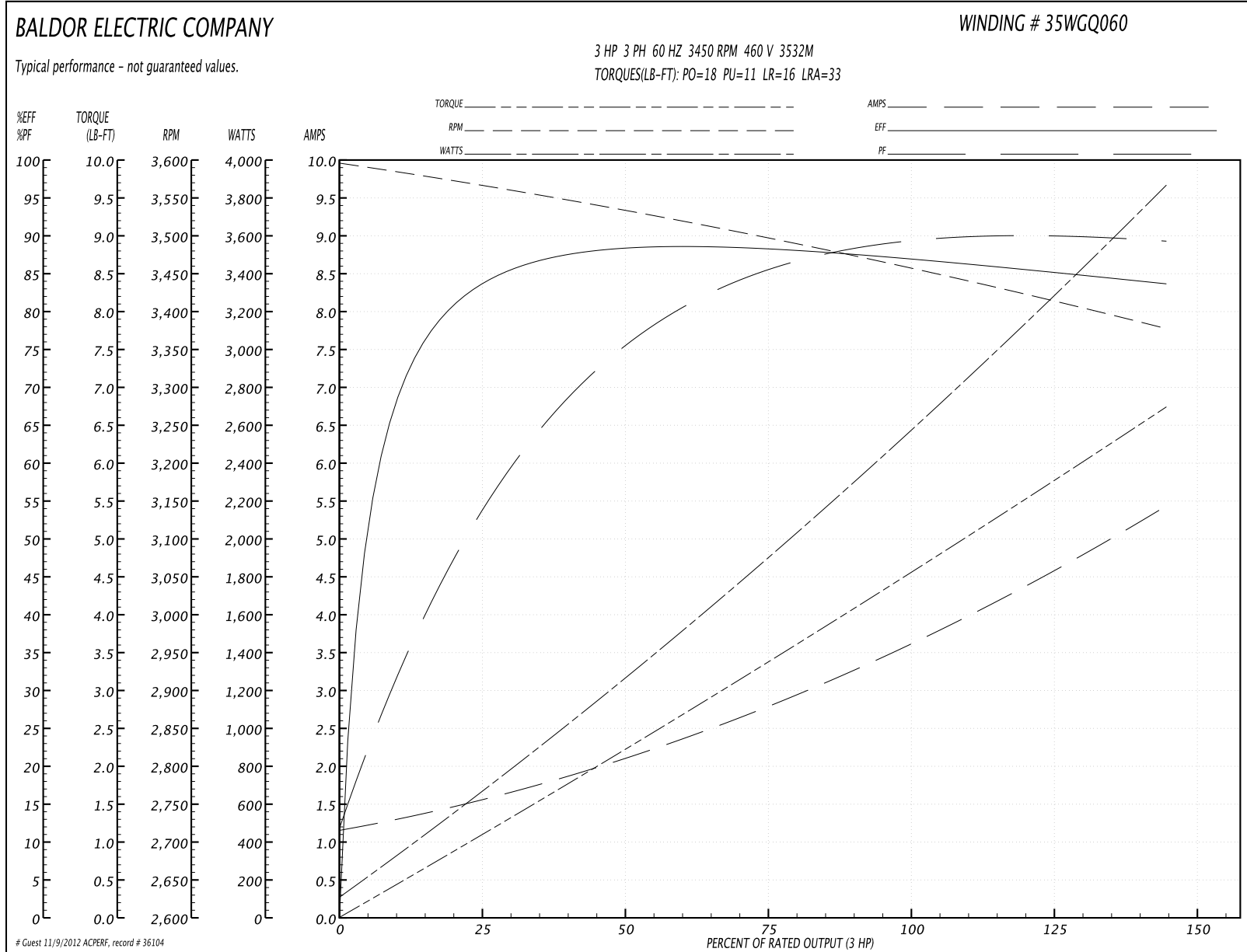
Parts List		
Part Number	Description	Quantity
SA234954	SA 35Z952Q060G1	1.000 EA
RA221919	RA 35Z952Q060G1	1.000 EA
S/P107-000-001	SUPER E PROC'S-FS & WS PLTS-POLYREX EM G	1.000 EA
NS2512A01	INSULATOR, CONDUIT BOX X	1.000 EA
35CB3009	35 CB CASTING W/1.09 DIA. LEAD HOLE @ 6:	1.000 EA
36GS1000SP	GASKET-CONDUIT BOX, .06 THICK #SV-330 LE	1.000 EA
51XB1016A07	10-16 X 7/16 HXWSSLD SERTYB	2.000 EA
11XW1032G06	10-32 X .38, TAPTITE II, HEX WSHR SLTD U	1.000 EA
BP5308A01	AEGIS SH GRD ASSY W/RETAINER RING	1.000 EA
35EP3101A109	FR EP ENCL 205 BRG, LOCKED BRG, FH,	1.000 EA
HW4500A01	1641B(ALEMITE)400 UNIV, GREASE FITT	1.000 EA
51XN1032A18	10-32 X 1 1/8 HX WS SL SR (ESKAY)	2.000 EA
35EP1312A29	PU ENDPLATE, MACH, NO LOCKED BRG	1.000 EA
HW4500A01	1641B(ALEMITE)400 UNIV, GREASE FITT	1.000 EA
HW5100A07	W2816-030 WVY WASHER (WB)	1.000 EA
35FH4005A02SP	IEC FH W/GREASER - W/AUTOPHERETIC PRIMER	1.000 EA
51XW1032A06	10-32 X .38, TAPTITE II, HEX WSHR SLTD S	3.000 EA
35CB4521	35 LIPPED CB LID (GALV & PHOSPH)	1.000 EA
35GS1030	35 GS FOR CB LID - LEXIDE	1.000 EA
51XW0832A07	8-32 X .44, TAPTITE II, HEX WSHR SLTD SE	4.000 EA
HA1005A07SP	SLINGER, OD 2.25, ID 1.344, 307 BRG	1.000 EA
HW2501D13SP	KEY, 3/16 SQ X 1.375	1.000 EA
HA7000A01	KEY RETAINER 7/8" DIA SHAFT	1.000 EA
10XF0440S02	04-40 X 1/8 TYPE F HEX HD STAINLESS STIC	2.000 EA

Parts List (continued)		
Part Number	Description	Quantity
LB1459	AEGIS SGR LABEL "AEGISLBL-100"	1.000 EA
MJ1000A75	GREASE, POLYREX EM EXXON	0.050 LB
35FN3002A05SP	EXFN, PLASTIC, 6.376 OD, .638 ID	1.000 EA
51XB1214A16	12-14X1.00 HXWSSLD SERTYB	1.000 EA
MG1000Y03	WILKO 689.710 GOLD PAINT SUPER E	0.017 GA
HA3100A18	THRUBOLT 10-32 X 9.250	4.000 EA
LB1357	ENERGY GUIDE LABEL (BOX LABEL)	1.000 SH
LC0005E01	CONN.DIA./WARNING LABEL (LC0005/LB1119)	1.000 EA
LB5040	INSTRUCTION TAG, AC & DC	1.000 EA
LB1125C02	SUPER-E (STOCK CTN LABEL SUPER-E WITH FL	1.000 EA
NP1259L	ALUM SUPER-E UL CSA-EEV CC NEMA PREMIUM	1.000 EA
G7PA1000	PACKAGING GROUP / BALDOR	1.000 EA

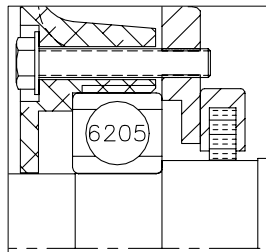
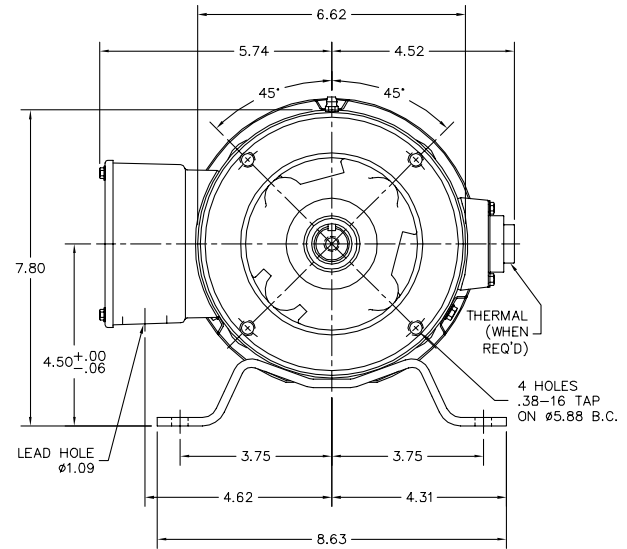
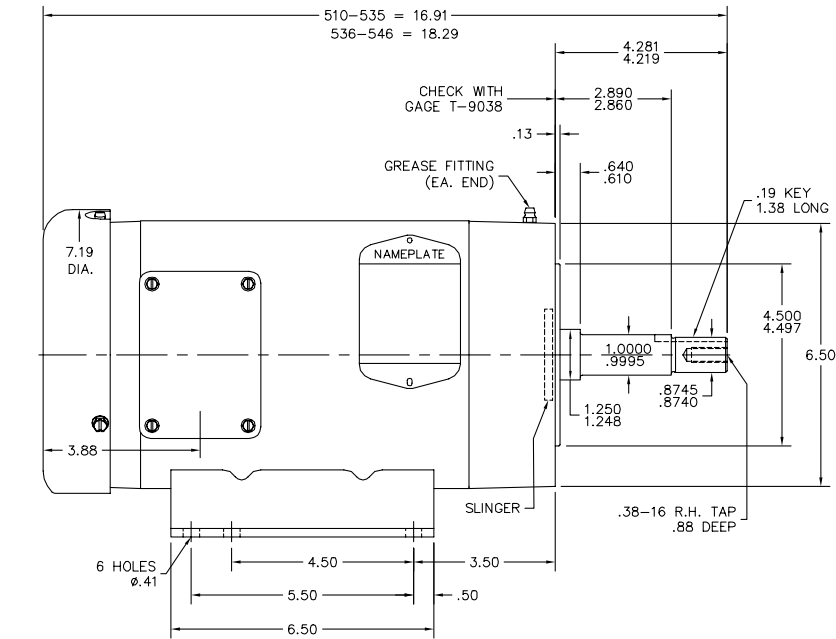
Performance Data at 460V, 60Hz, 3.0HP (Typical performance - Not guaranteed values)

General Characteristics							
Full Load Torque:	4.5 LB-FT			Start Configuration:	DOL		
No-Load Current:	1.2 Amps			Break-Down Torque:	18.0 LB-FT		
Line-line Res. @ 25°C.:	4.72 Ohms A Ph / 0.0 Ohms B Ph			Pull-Up Torque:	11.0 LB-FT		
Temp. Rise @ Rated Load:	61 C			Locked-Rotor Torque:	16.0 LB-FT		
Temp. Rise @ S.F. Load:	76 C			Starting Current:	33.0 Amps		
Load Characteristics							
% of Rated Load	25	50	75	100	125	150	S.F.
Power Factor:	62.0	81.0	88.0	92.0	93.0	94.0	93.0
Efficiency:	83.7	87.9	88.2	87.2	85.6	83.5	86.2
Speed:	3562.0	3531.0	3498.0	3462.0	3421.0	3375.0	3437.0
Line Amperes:	1.5	2.1	2.8	3.6	4.5	5.4	4.1

Performance Graph at 460V, 60Hz, 3.0HP Typical performance - Not guaranteed values



35LYZ952



FRONT END DETAIL
(AEGIS SHAFT GROUND)

CUSTOMER IS RESPONSIBLE FOR DETERMINING THAT BALDOR'S PRODUCT WILL PERFORM SUITABLY IN THE INTENDED APPLICATION.

REV. DESC: NEW	VERSION: 00	TDR: 000000721645
REV. LTR: -	REVISED: 08:05:13 11/23/2011	BY: ENBENBO
FILE: \AAA\00187\007		
MTL: -		

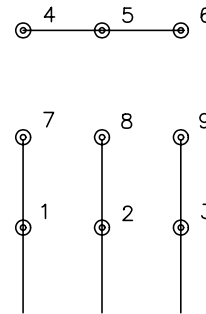
BALDOR
HORZ 182-4JM TEFC 35M W/1.09 LEAD HOLE, AEGIS INT SH GND
SH 1 of 1

35LYZ952

CD0005

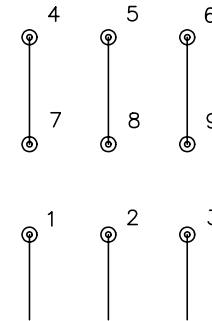


LOW VOLTAGE
(2Y)



LINE

HIGH VOLTAGE
(1Y)



LINE

NOTES:

1. INTERCHANGE ANY TWO LINE LEADS TO REVERSE ROTATION.
2. OPTIONAL THERMOSTATS ARE PROVIDED WHEN SPECIFIED.
3. ACTUAL NUMBER OF INTERNAL PARALLEL CIRCUITS MAY BE A MULTIPLE OF THOSE SHOWN ABOVE.
4. LEAD COLORS ARE OPTIONAL. LEADS MUST ALWAYS BE NUMBERED AS SHOWN.

REV. DESC: REVISE TO SHOW OPTIONAL COLORS			
REV. LTR: E	BY: JLP	REVISED: 01/19/99 10:15	TDR: 0171435
90000		FILE: AAA00005140	MDL: -
		MTL: -	

BALDOR ELECTRIC Co.

3PH, DV, 9 LEADS

CD0005