

# **BALDOR**® • ***RELIANCE***

## **Product Information Packet**

# **EJPM2513T**

**15HP, 1765RPM, 3PH, 60HZ, 254JP, 3938M, OPSB, F**

Copyright © All product information within this document is subject to Baldor Electric Company copyright © protection, unless otherwise noted.

| Part Detail |       |             |       |                |          |               |            |
|-------------|-------|-------------|-------|----------------|----------|---------------|------------|
| Revision:   | J     | Status:     | PRD/A | Change #:      |          | Proprietary:  | No         |
| Type:       | AC    | Prod. Type: | 3938M | Elec. Spec:    | 39WGW916 | CD Diagram:   |            |
| Enclosure:  | OPSB  | Mfg Plant:  |       | Mech. Spec:    | 39K61    | Layout:       |            |
| Frame:      | 254JP | Mounting:   | F1    | Poles:         | 04       | Created Date: | 10-21-2005 |
| Base:       | RG    | Rotation:   | R     | Insulation:    | F        | Eff. Date:    | 06-10-2011 |
| Leads:      | 9#12  | Literature: |       | Elec. Diagram: |          | Replaced By:  |            |

**Nameplate NP1259L**

|              |                |                |      |     |   |    |   |
|--------------|----------------|----------------|------|-----|---|----|---|
| CAT.NO.      | EJPM2513T      |                |      |     |   |    |   |
| SPEC.        | 39K061W916G2   |                |      |     |   |    |   |
| HP           | 15             |                |      |     |   |    |   |
| VOLTS        | 208-230/460    |                |      |     |   |    |   |
| AMP          | 37.4-35.4/17.7 |                |      |     |   |    |   |
| RPM          | 1765           |                |      |     |   |    |   |
| FRAME        | 254JP          | HZ             | 60   | PH  | 3 |    |   |
| SER.F.       | 1.15           | CODE           | G    | DES | B | CL | F |
| NEMA-NOM-EFF | 93             | PF             | 86   |     |   |    |   |
| RATING       | 40C AMB-CONT   |                |      |     |   |    |   |
| CC           | 010A           | USABLE AT 208V | 37.4 |     |   |    |   |
| DE           | 6309           | ODE            | 6208 |     |   |    |   |
| ENCL         | OPSB           | SN             |      |     |   |    |   |
|              |                |                |      |     |   |    |   |

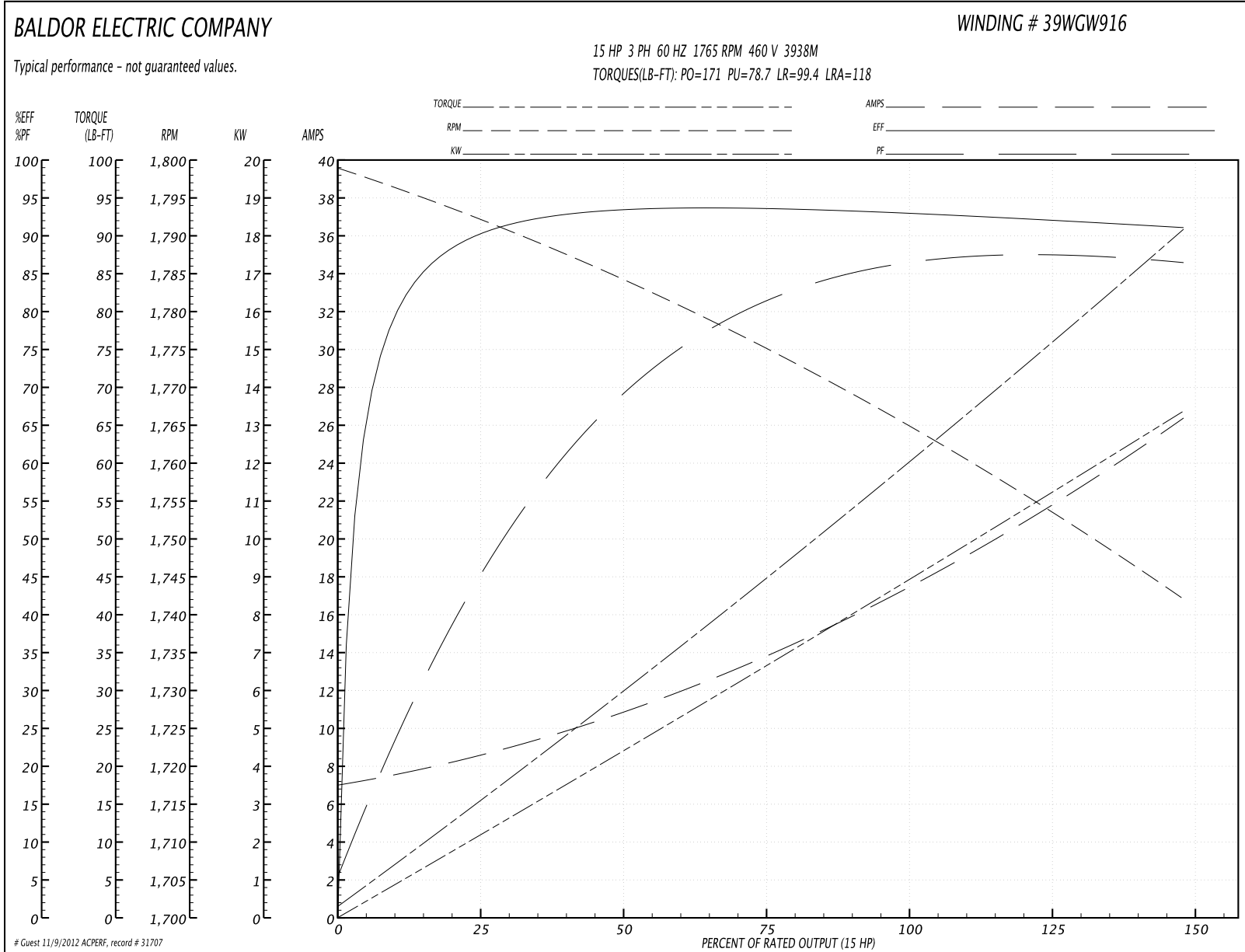
| Parts List     |  |          |
|----------------|--|----------|
| Part Number    | Description                              | Quantity |
| SA134727       | SA 39K061W916G2                          | 1.000 EA |
| RA124516       | RA 39K061W916G2                          | 1.000 EA |
| S/P107-000-005 | SUPER-E PROC'S(254/6 FR.) ZK PLANT - POL | 1.000 EA |
| HA6361A01      | LIFTING LUG FOR 37, 39 & 40 FRAME (AUTOP | 2.000 EA |
| HA6016         | ADAPTER, CAST CONDUIT BOX                | 1.000 EA |
| 09CB3002SP     | CB W/1.38 LEAD HOLE FOR 37, 39, 307 & 30 | 1.000 EA |
| HW1001A25      | LOCKWASHER 1/4, ZINC PLT .493 OD, .255 I | 2.000 EA |
| WD1000B17      | KPA-8C BURNDY TERMINAL                   | 1.000 EA |
| 11XW1032G06    | 10-32 X .38, TAPTITE II, HEX WSHR SLTD U | 1.000 EA |
| 39EP3200A01SP  | FR/PU ENDPLATE, MACH                     | 1.000 EA |
| HA4051A00      | PLASTIC CAP FOR GREASE FITTING           | 1.000 EA |
| HA1101A01      | RODENT SCREEN, 39 MTR                    | 1.000 EA |
| HW5100A08      | W3118-035 WVY WSHR (WB)                  | 1.000 EA |
| 10XN2520K28    | 1/4-20 X 1.75" HX HD SCRWGRADE 5, ZINC P | 4.000 EA |
| HW1001A25      | LOCKWASHER 1/4, ZINC PLT .493 OD, .255 I | 4.000 EA |
| 39EP3400A03    | STD FACE MTD ENDPLATE, 309 BRG W/BAFFLE  | 1.000 EA |
| HA4051A00      | PLASTIC CAP FOR GREASE FITTING           | 1.000 EA |
| HA1101A03      | RODENT SCREEN, 39 FACE MTD.E.P.          | 1.000 EA |
| 11XW1032G06    | 10-32 X .38, TAPTITE II, HEX WSHR SLTD U | 4.000 EA |
| HA2009A04      | 39-81 SLINGER (STERLING)                 | 1.000 EA |
| 80XN1032A06    | 10-32 X 3/8 SET SC HEX SOCK              | 1.000 EA |
| XY3816A12      | 3/8-16 FINISHED NUT                      | 8.000 EA |
| 09CB3501SP     | CONDUIT BOX LID FOR 09CB3001 & 09CB3002  | 1.000 EA |
| 51XW2520A12    | .25-20 X .75, TAPTITE II, HEX WSHR SLTD  | 2.000 EA |

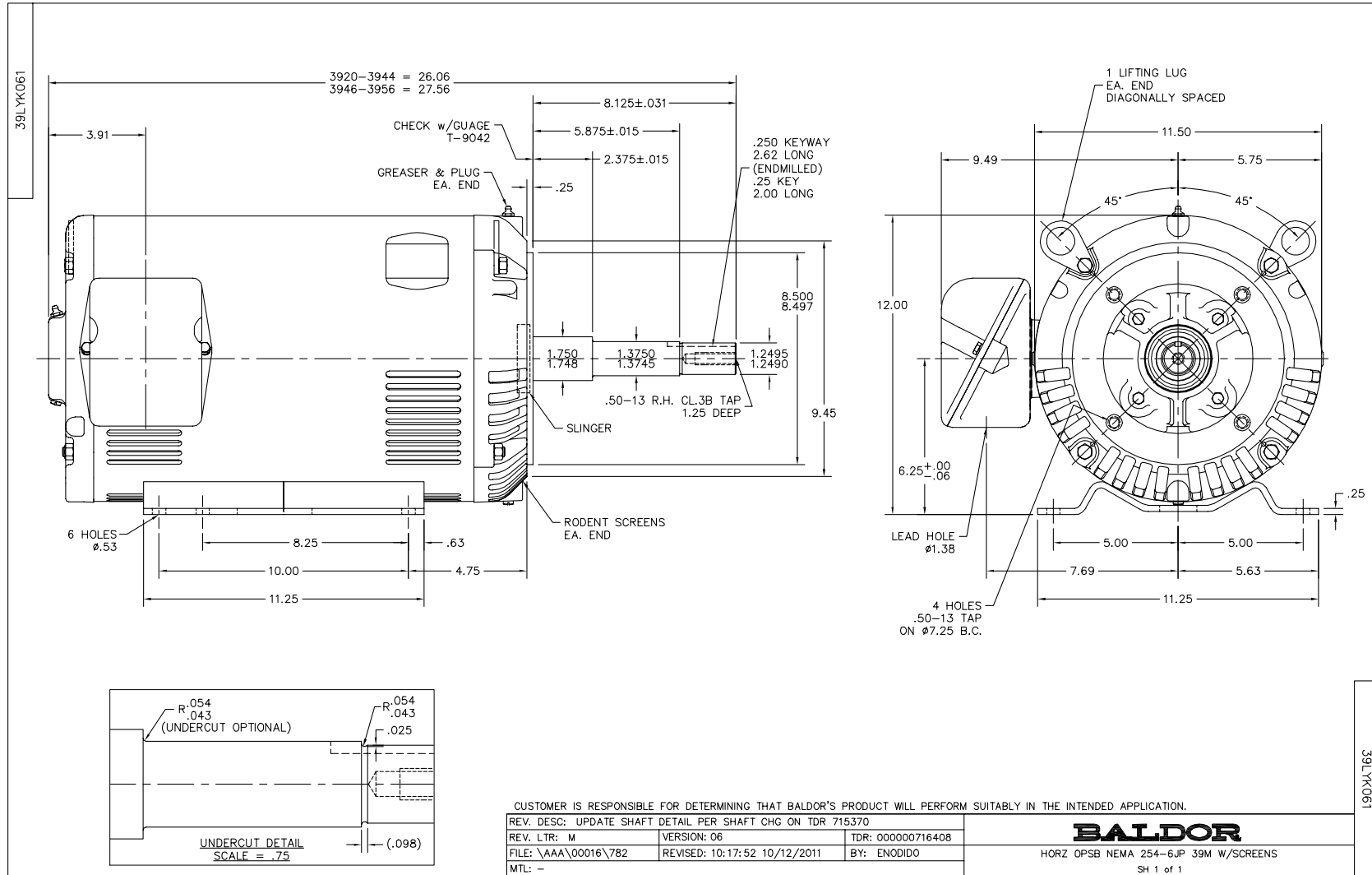
| Parts List (continued) |  |          |
|------------------------|--|----------|
| Part Number            | Description                              | Quantity |
| 51XW2520A12            | .25-20 X .75, TAPTITE II, HEX WSHR SLTD  | 2.000 EA |
| 11XW1032G06            | 10-32 X .38, TAPTITE II, HEX WSHR SLTD U | 4.000 EA |
| HW2501E18              | KEY, 1/4 SQ X 2.000                      | 1.000 EA |
| LB1115                 | LABEL,LIFTING DEVICE                     | 1.000 EA |
| HW4500A03              | GREASE FITTING, .125 NPT 1610(ALEMITE) 8 | 1.000 EA |
| HW4500A20              | 1/8NPT SL PIPE PLUG                      | 1.000 EA |
| MJ1000A75              | GREASE, POLYREX EM EXXON                 | 0.030 LB |
| HW4500A03              | GREASE FITTING, .125 NPT 1610(ALEMITE) 8 | 1.000 EA |
| HW4500A20              | 1/8NPT SL PIPE PLUG                      | 1.000 EA |
| 85XU0407A04            | #4-7 X 1/4 DRIVE PIN                     | 2.000 EA |
| 39AD2002A01            | BAFFLE PLATE 39 OPEN, SLOTTED BAND MTRS  | 2.000 EA |
| HA3154A09              | TB STUD 3/8-16 X 16.25                   | 4.000 EA |
| MG1000Y03              | WILKO 689.710 GOLD PAINT SUPER E         | 0.050 GA |
| LB5040                 | INSTRUCTION TAG, AC & DC                 | 1.000 EA |
| LB1119                 | WARNING LABEL                            | 1.000 EA |
| LC0181                 | CONNECTION LABEL                         | 1.000 EA |
| LB1125C02              | SUPER-E (STOCK CTN LABEL SUPER-E WITH FL | 4.000 EA |
| LB1357                 | ENERGY GUIDE LABEL (BOX LABEL)           | 1.000 SH |
| NP1259L                | ALUM SUPER-E UL CSA-EEV CC NEMA PREMIUM  | 1.000 EA |
| 40PA1000               | PACKAGING GROUP                          | 1.000 EA |

**Performance Data at 460V, 60Hz, 15.0HP (Typical performance - Not guaranteed values)**

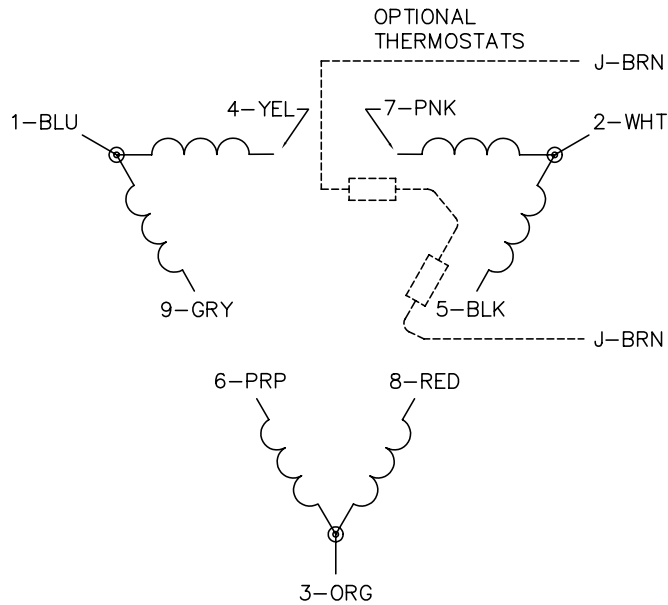
| General Characteristics  |                                 |        |        |                      |             |        |        |
|--------------------------|---------------------------------|--------|--------|----------------------|-------------|--------|--------|
| Full Load Torque:        | 44.6 LB-FT                      |        |        | Start Configuration: | DOL         |        |        |
| No-Load Current:         | 7.27 Amps                       |        |        | Break-Down Torque:   | 171.0 LB-FT |        |        |
| Line-line Res. @ 25°C.:  | 0.622 Ohms A Ph / 0.0 Ohms B Ph |        |        | Pull-Up Torque:      | 78.7 LB-FT  |        |        |
| Temp. Rise @ Rated Load: | 22 C                            |        |        | Locked-Rotor Torque: | 99.4 LB-FT  |        |        |
| Temp. Rise @ S.F. Load:  | 29 C                            |        |        | Starting Current:    | 118.0 Amps  |        |        |
| Load Characteristics     |                                 |        |        |                      |             |        |        |
| % of Rated Load          | 25                              | 50     | 75     | 100                  | 125         | 150    | S.F.   |
| Power Factor:            | 47.0                            | 70.0   | 81.0   | 86.0                 | 88.0        | 89.0   | 87.0   |
| Efficiency:              | 90.1                            | 93.3   | 93.5   | 93.1                 | 92.2        | 91.0   | 92.6   |
| Speed:                   | 1792.0                          | 1784.0 | 1775.0 | 1765.0               | 1754.0      | 1742.0 | 1759.0 |
| Line Amperes:            | 8.27                            | 10.72  | 13.99  | 17.67                | 21.74       | 26.21  | 20.11  |

Performance Graph at 460V, 60Hz, 15.0HP Typical performance - Not guaranteed values

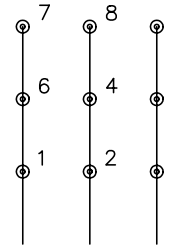




CD0180

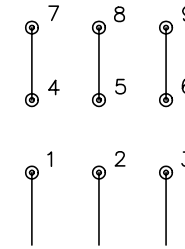


LOW VOLTAGE  
(2D)



LINE

HIGH VOLTAGE  
(1D)



LINE

NOTES:

1. INTERCHANGE ANY TWO LINE LEADS TO REVERSE ROTATION.
2. OPTIONAL THERMOSTATS ARE PROVIDED WHEN SPECIFIED.
3. ACTUAL NUMBER OF INTERNAL PARALLEL CIRCUITS MAY BE A MULTIPLE OF THOSE SHOWN ABOVE.
4. LEAD COLORS ARE OPTIONAL. LEADS MUST ALWAYS BE NUMBERED AS SHOWN.

|   |         |                        |              |
|---|---------|------------------------|--------------|
| REV. DESC: REVISE TO SHOW OPTIONAL COLORS |         |                        |              |
| REV. LTR: C                               | BY: JLP | REVISED: 01/21/99 2:28 | TDR: 0171435 |
| 0810D3                                    |         | FILE: AAA00005148      | MDL: -       |
|   |         | MTL: -                 |              |

**BALDOR ELECTRIC Co.**

3PH, DV, 9 LEADS, DELTA CONNECTION

CD0180