

# **BALDOR® • RELIANCE**

## **Product Information Packet**

### **EJPM2514T**

**20HP,3510RPM,3PH,60HZ,254JP,3928M,OPSB,F**

Copyright © All product information within this document is subject to Baldor Electric Company copyright © protection, unless otherwise noted.

Part Detail									
Revision:	-	Status:	PRD/A	Change #:		Proprietary:	No		
Type:	AC	Prod. Type:	3928M	Elec. Spec:	39WGX101	CD Diagram:			
Enclosure:	OPSB	Mfg Plant:		Mech. Spec:	39K61	Layout:			
Frame:	254JP	Mounting:	F1	Poles:	02	Created Date:	05-14-2012		
Base:	RG	Rotation:	R	Insulation:	F	Eff. Date:	05-18-2012		
Leads:	9#12	Literature:		Elec. Diagram:		Replaced By:			
Nameplate NP1259L									
CAT.NO.	EJPM2514T								
SPEC.	39K061X101G1								
HP	20								
VOLTS	230/460								
AMP	47/23.5								
RPM	3510								
FRAME	254JP	HZ	60	PH	3				
SER.F.	1.15	CODE	G	DES	B	CL	F		
NEMA-NOM-EFF	91	PF	88						
RATING	40C AMB-CONT								
CC	010A	USABLE AT 208V	51						
DE	6309	ODE	6208						
ENCL	OPSB	SN							

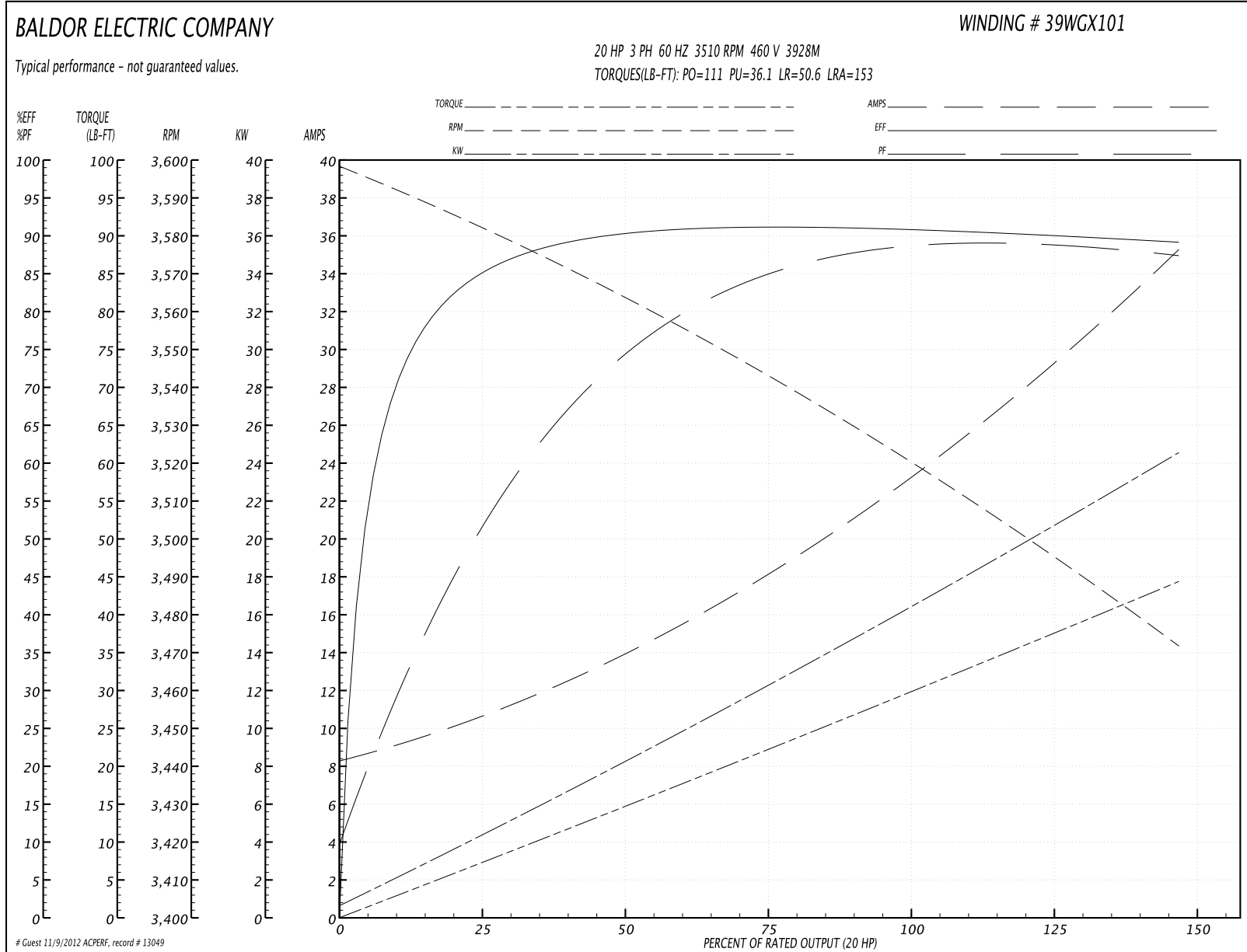
Parts List		
Part Number	Description	Quantity
SA244391	SA 39K061X101G1	1.000 EA
RA231277	RA 39K061X101G1	1.000 EA
S/P107-000-005	SUPER-E PROC'S(254/6 FR.) ZK PLANT - POL	1.000 EA
HA6361A01	LIFTING LUG FOR 37, 39 & 40 FRAME (AUTOP	2.000 EA
HA6016	ADAPTER, CAST CONDUIT BOX	1.000 EA
09CB3002SP	CB W/1.38 LEAD HOLE FOR 37, 39, 307 & 30	1.000 EA
51XW2520A12	.25-20 X .75, TAPTITE II, HEX WSHR SLTD	2.000 EA
HW1001A25	LOCKWASHER 1/4, ZINC PLT .493 OD, .255 I	2.000 EA
WD1000B17	KPA-8C BURNDY TERMINAL	1.000 EA
11XW1032G06	10-32 X .38, TAPTITE II, HEX WSHR SLTD U	1.000 EA
39EP3200A01SP	FR/PU ENDPLATE, MACH	1.000 EA
HA4051A00	PLASTIC CAP FOR GREASE FITTING	1.000 EA
HA1101A01	RODENT SCREEN, 39 MTR	1.000 EA
11XW1032G06	10-32 X .38, TAPTITE II, HEX WSHR SLTD U	4.000 EA
HW5100A08	W3118-035 WVY WSHR (WB)	1.000 EA
10XN2520K28	1/4-20 X 1.75" HX HD SCRWGRADE 5, ZINC P	4.000 EA
HW1001A25	LOCKWASHER 1/4, ZINC PLT .493 OD, .255 I	4.000 EA
39EP3400A03	STD FACE MTD ENDPLATE, 309 BRG W/BAFFLE	1.000 EA
HA4051A00	PLASTIC CAP FOR GREASE FITTING	1.000 EA
HA1101A03	RODENT SCREEN, 39 FACE MTD.E.P.	1.000 EA
11XW1032G06	10-32 X .38, TAPTITE II, HEX WSHR SLTD U	4.000 EA
HA2009A04	39-81 SLINGER (STERLING)	1.000 EA
80XN1032A06	10-32 X 3/8 SET SC HEX SOCK	1.000 EA
XY3816A12	3/8-16 FINISHED NUT	8.000 EA

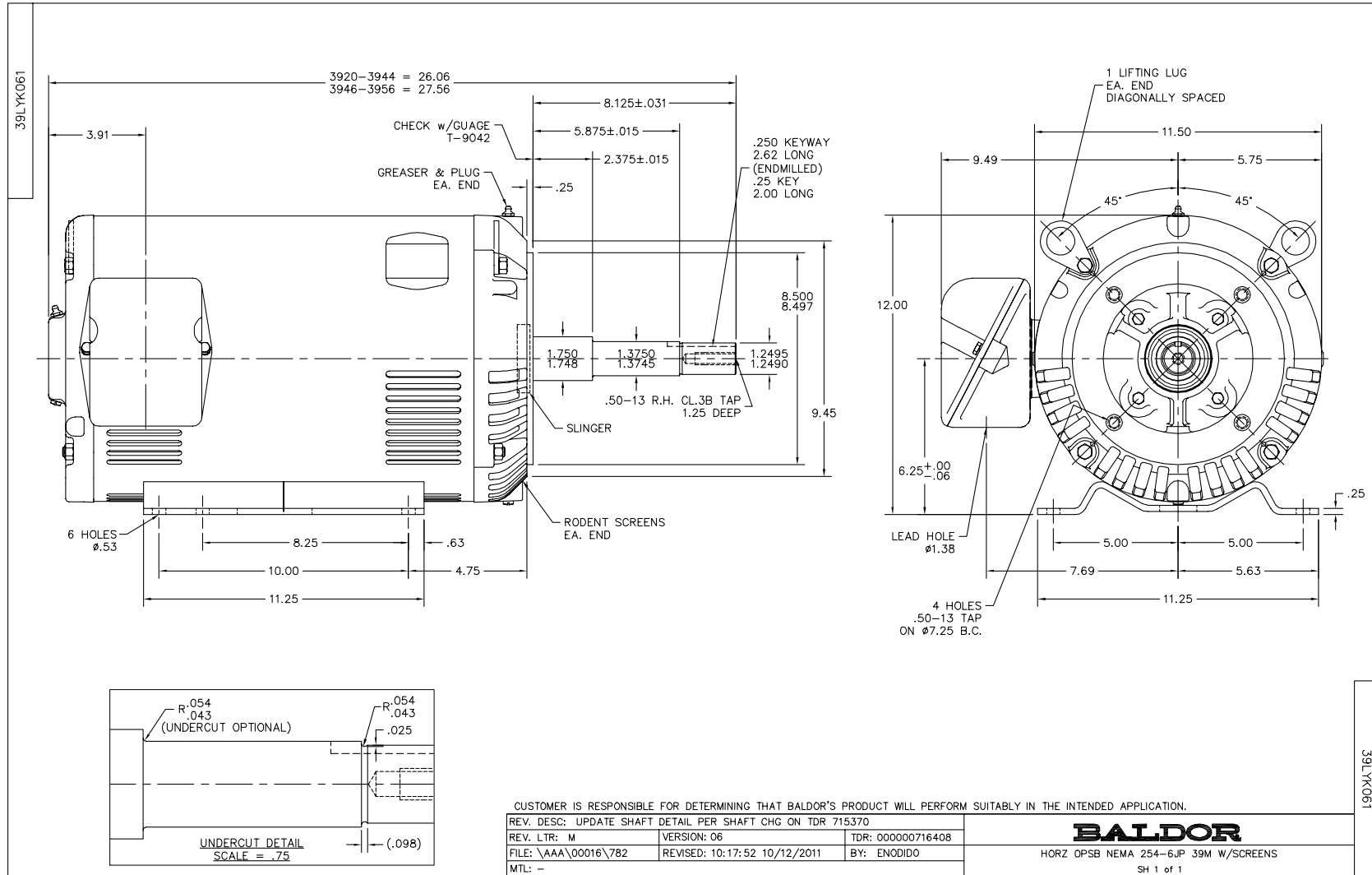
Parts List (continued)		
Part Number	Description	Quantity
09CB3501SP	CONDUIT BOX LID FOR 09CB3001 & 09CB3002	1.000 EA
51XW2520A12	.25-20 X .75, TAPTITE II, HEX WSHR SLTD	2.000 EA
HW2501E18	KEY, 1/4 SQ X 2.000	1.000 EA
LB1115	LABEL,LIFTING DEVICE	1.000 EA
HW4500A03	GREASE FITTING, .125 NPT 1610(ALEMITE) 8	1.000 EA
HW4500A20	1/8NPT SL PIPE PLUG	1.000 EA
MJ1000A75	GREASE, POLYREX EM EXXON	0.030 LB
HW4500A03	GREASE FITTING, .125 NPT 1610(ALEMITE) 8	1.000 EA
HW4500A20	1/8NPT SL PIPE PLUG	1.000 EA
MG1000Y03	WILKO 689.710 GOLD PAINT SUPER E	0.050 GA
85XU0407A04	#4-7 X 1/4 DRIVE PIN	2.000 EA
LB5040	INSTRUCTION TAG, AC & DC	1.000 EA
39AD2002C01	BAFFLE PLATE,"X" DIM=2.12 OPEN SLOT BAND	1.000 EA
39AD2002C01	BAFFLE PLATE,"X" DIM=2.12 OPEN SLOT BAND	1.000 EA
HA3154A09	TB STUD 3/8-16 X 16.25	4.000 EA
LB1119	WARNING LABEL	1.000 EA
LB1125C02	SUPER-E (STOCK CTN LABEL SUPER-E WITH FL	4.000 EA
LB1357	ENERGY GUIDE LABEL (BOX LABEL)	1.000 SH
LC0181	CONNECTION LABEL	1.000 EA
NP1259L	ALUM SUPER-E UL CSA-EEV CC NEMA PREMIUM	1.000 EA
40PA1000	PACKAGING GROUP	1.000 EA

**Performance Data at 460V, 60Hz, 20.0HP (Typical performance - Not guaranteed values)**

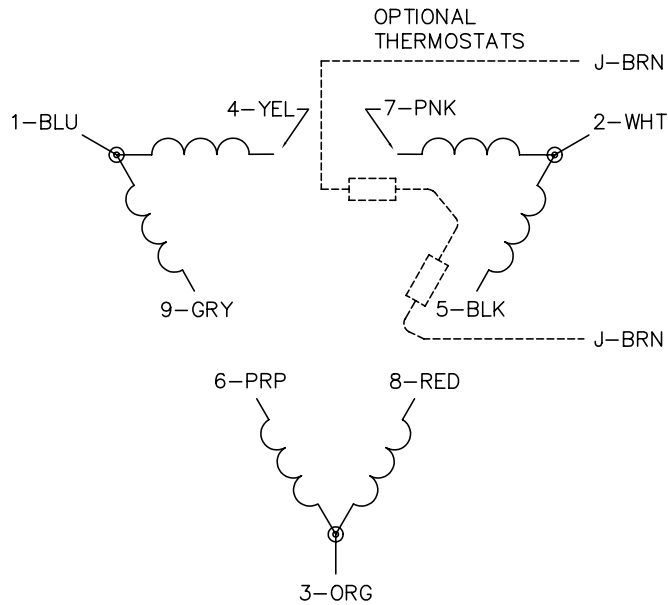
General Characteristics							
Full Load Torque:	29.6 LB-FT			Start Configuration:	DOL		
No-Load Current:	8.61 Amps			Break-Down Torque:	111.0 LB-FT		
Line-line Res. @ 25°C.:	0.512 Ohms A Ph / 0.0 Ohms B Ph			Pull-Up Torque:	36.1 LB-FT		
Temp. Rise @ Rated Load:	44 C			Locked-Rotor Torque:	50.6 LB-FT		
Temp. Rise @ S.F. Load:	54 C			Starting Current:	153.0 Amps		
Load Characteristics							
% of Rated Load	25	50	75	100	125	150	S.F.
Power Factor:	52.0	74.0	83.0	87.0	89.0	89.0	88.0
Efficiency:	84.7	90.1	91.2	91.0	90.1	89.1	90.5
Speed:	3581.0	3563.0	3544.0	3522.0	3496.0	3472.0	3506.0
Line Amperes:	10.2	13.9	18.1	23.3	29.1	35.0	26.78

Performance Graph at 460V, 60Hz, 20.0HP Typical performance - Not guaranteed values

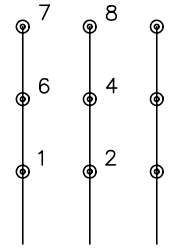




CD0180

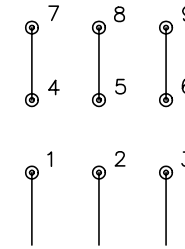


LOW VOLTAGE  
(2D)



LINE

HIGH VOLTAGE  
(1D)



LINE

NOTES:

1. INTERCHANGE ANY TWO LINE LEADS TO REVERSE ROTATION.
2. OPTIONAL THERMOSTATS ARE PROVIDED WHEN SPECIFIED.
3. ACTUAL NUMBER OF INTERNAL PARALLEL CIRCUITS MAY BE A MULTIPLE OF THOSE SHOWN ABOVE.
4. LEAD COLORS ARE OPTIONAL. LEADS MUST ALWAYS BE NUMBERED AS SHOWN.

REV. DESC: REVISE TO SHOW OPTIONAL COLORS			
REV. LTR: C	BY: JLP	REVISED: 01/21/99 2:28	TDR: 0171435
0810D0		FILE: AAA00005148	MDL: -
		MTL: -	

**BALDOR ELECTRIC Co.**

3PH, DV, 9 LEADS, DELTA CONNECTION

CD0180