

BALDOR® • RELIANCE

Product Information Packet

EJPM3314T

15HP,3500RPM,3PH,60HZ,215JP,3734M,OPSB,F

Copyright © All product information within this document is subject to Baldor Electric Company copyright © protection, unless otherwise noted.

Part Detail									
Revision:	B	Status:	PRD/A	Change #:		Proprietary:	No		
Type:	AC	Prod. Type:	3734M	Elec. Spec:	37WGS867	CD Diagram:			
Enclosure:	OPSB	Mfg Plant:		Mech. Spec:	37F810	Layout:			
Frame:	215JP	Mounting:	F1	Poles:	02	Created Date:	12-14-2011		
Base:	RG	Rotation:	R	Insulation:	F	Eff. Date:	05-21-2012		
Leads:	9#12	Literature:		Elec. Diagram:		Replaced By:			
Nameplate NP1259L									
CAT.NO.	EJPM3314T								
SPEC.	37F810S867G1								
HP	15								
VOLTS	208-230/460								
AMP	36-35/17.5								
RPM	3475								
FRAME	215JP	HZ	60			PH	3		
SER.F.	1.15	CODE	G			DES	B	CL	F
NEMA-NOM-EFF	90.2	PF	89						
RATING	40C AMB-CONT								
CC	010A	USABLE AT 208V							
DE	6309	ODE	6206						
ENCL	OPSB	SN							

Parts List		
Part Number	Description	Quantity
SA236081	SA 37F810S867G1	1.000 EA
RA223029	RA 37F810S867G1	1.000 EA
S/P107-000-001	SUPER E PROC'S-FS & WS PLTS-POLYREX EM G	1.000 EA
HA6361A01	LIFTING LUG FOR 37, 39 & 40 FRAME (AUTOP	2.000 EA
37CB3006	37 CB CASTING W/1.38 LEAD HOLE @ 6:00	1.000 EA
51XW2520A10	.25-20 X .62, TAPTITE II, HEX WSHR SLTD	2.000 EA
11XW1032G06	10-32 X .38, TAPTITE II, HEX WSHR SLTD U	1.000 EA
37EP3200A31	FR ENDPLATE, 37L&M, OPEN, MACH, W/GREASE	1.000 EA
HW4500A01	1641B(ALEMITE)400 UNIV, GREASE FITT	1.000 EA
HW4500A17	317400 ALEMITE GREASE RELIEF	1.000 EA
HA1104A01	RODENT SCREEN 37 FRAME 206 BRG FRONT END	1.000 EA
51XW1032A06	10-32 X .38, TAPTITE II, HEX WSHR SLTD S	4.000 EA
HW1000A10	#10 FLAT WASHER (SAE)	4.000 EA
HW5100A06	W2420-025 WVY WSHR (WB)	1.000 EA
37EP3401A11	PUEP 309 BRG W/METAL SLINGER, GRS & RELI	1.000 EA
HW4500A01	1641B(ALEMITE)400 UNIV, GREASE FITT	1.000 EA
HW4500A17	317400 ALEMITE GREASE RELIEF	1.000 EA
HA1222	RODENT SCREEN - 37 C-FACE MOTORS	4.000 EA
51XW1032A06	10-32 X .38, TAPTITE II, HEX WSHR SLTD S	4.000 EA
HW1000A10	#10 FLAT WASHER (SAE)	4.000 EA
10XN2520A36	1/4-20X 2 1/4 HEX HD X	4.000 EA
HW1001A25	LOCKWASHER 1/4, ZINC PLT .493 OD, .255 I	4.000 EA
XY3118A12	5/16-18 HEX NUT DIRECTIONAL SERRATION	4.000 EA
37CB4516	LIPPED LID FOR 37 FRAME NEC KOBX	1.000 EA

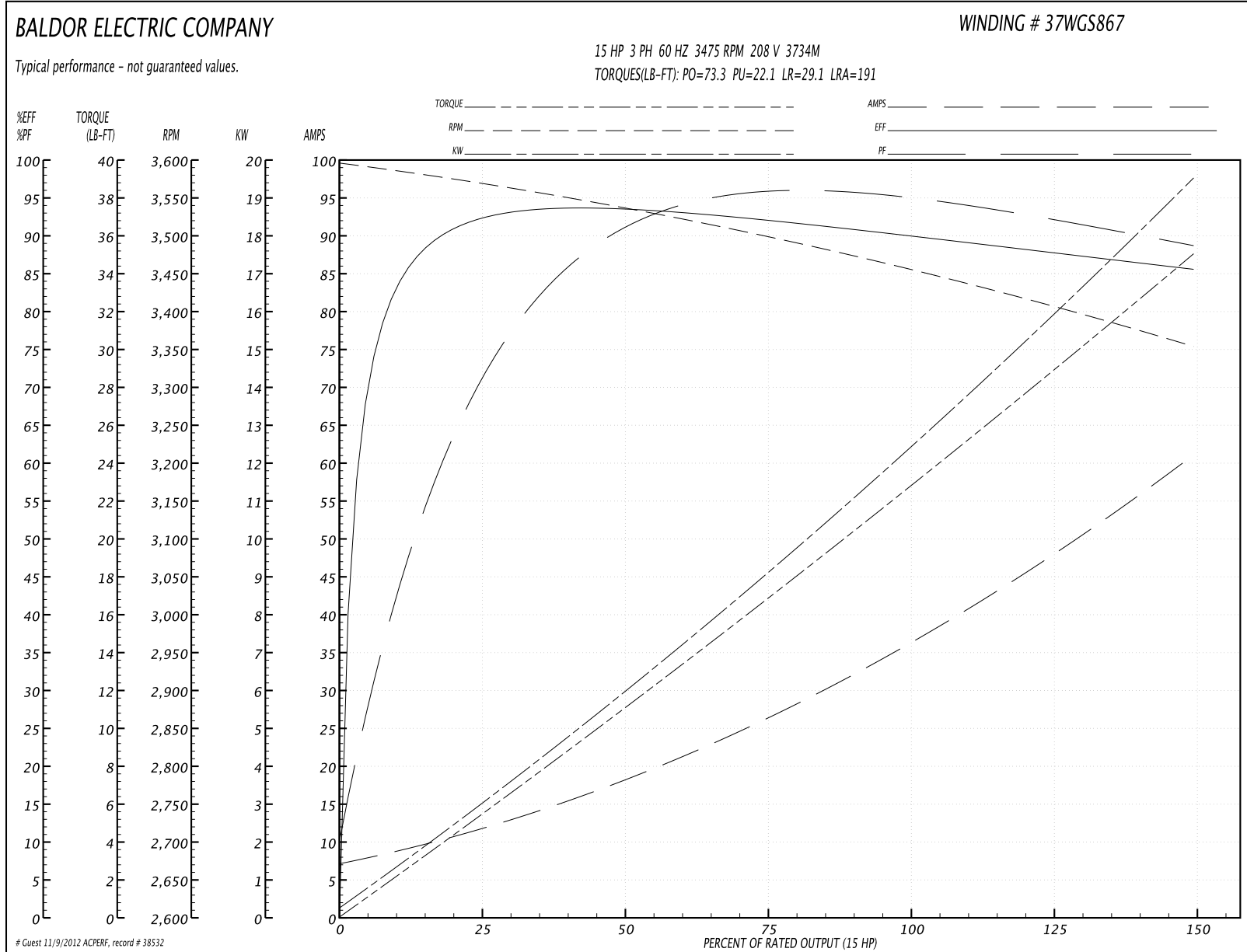
Parts List (continued)		
Part Number	Description	Quantity
51XW0832A07	8-32 X .44, TAPTITE II, HEX WSHR SLTD SE	4.000 EA
HA2009A02	SLINGER MODEL 37 PUMP MOTORS-2.75 DIA. A	1.000 EA
80XN1032A06	10-32 X 3/8 SET SC HEX SOCK	1.000 EA
HW2501E21	KEY, 1/4 SQ X 2.375	1.000 EA
HA7000A02	KEY RETAINER RING, 1 1/8 DIA, 1 3/8 DIA	1.000 EA
LB1115	LABEL,LIFTING DEVICE	1.000 EA
85XU0407S04	4X1/4 U DRIVE PIN STAINLESS	2.000 EA
MJ1000A75	GREASE, POLYREX EM EXXON	0.050 LB
MG1000Y03	WILKO 689.710 GOLD PAINT SUPER E	0.028 GA
37AD2001A01	BAFFLE PLATE, STAMPED	2.000 EA
HA3104A39	THRUBOLT-5/16-18 X 12.250	4.000 EA
LC0005E01	CONN.DIA./WARNING LABEL (LC0005/LB1119)	1.000 EA
LB1125C02	SUPER-E (STOCK CTN LABEL SUPER-E WITH FL	1.000 EA
LB1357	ENERGY GUIDE LABEL (BOX LABEL)	1.000 SH
NP1259L	ALUM SUPER-E UL CSA-EEV CC NEMA PREMIUM	1.000 EA
PK3085	STYROFOAM SHAFT SUPPORT ZELLERBACH	1.000 EA
G0PA1000	PACKAGING GROUP	1.000 EA

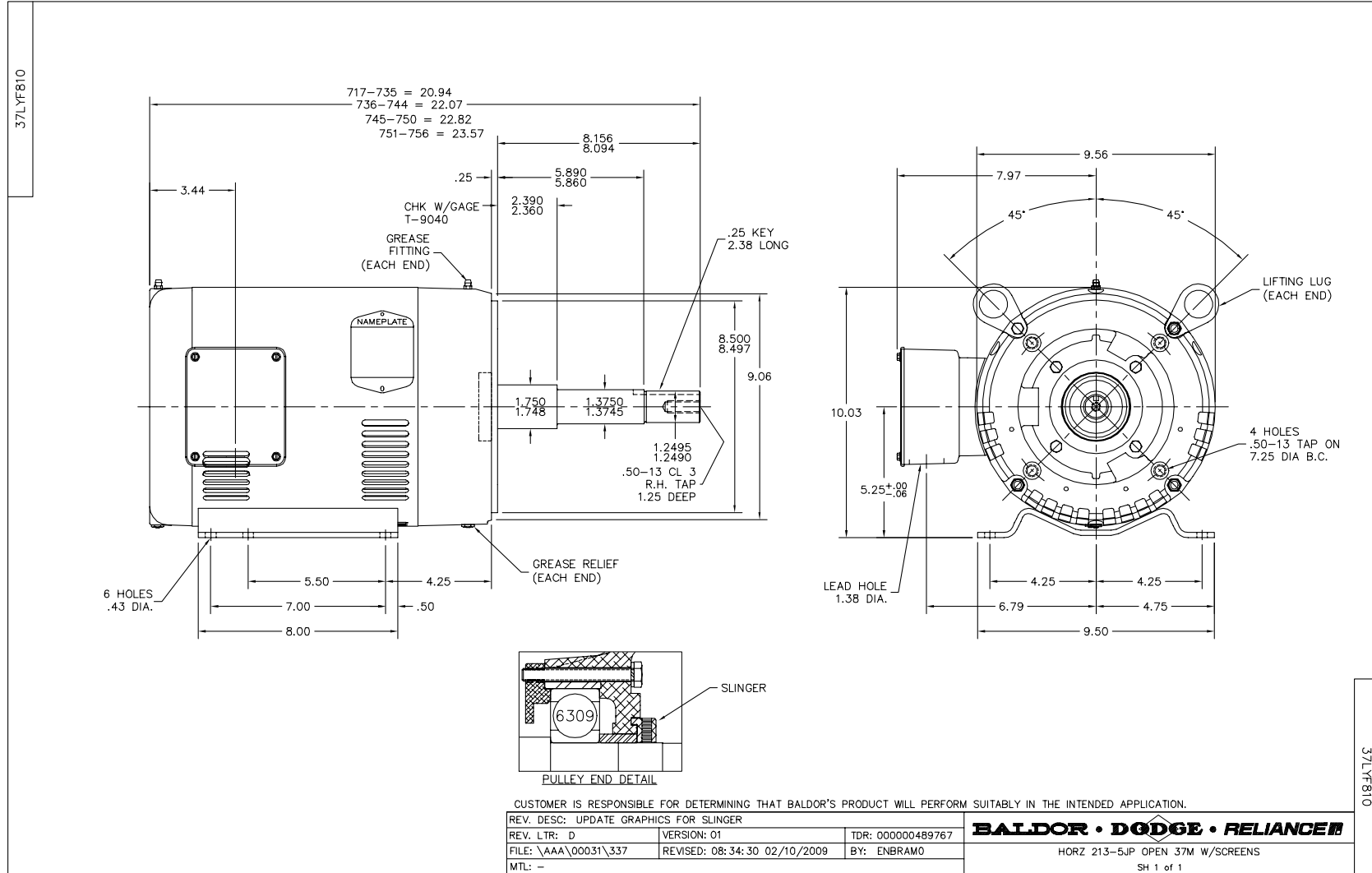
Performance Data at 208V, 60Hz, 15.0HP (Typical performance - Not guaranteed values)

General Characteristics			
Full Load Torque:	22.7 LB-FT	Start Configuration:	DOL
No-Load Current:	7.62 Amps	Break-Down Torque:	73.3 LB-FT
Line-line Res. @ 25°C.:	0.169 Ohms A Ph / 0.0 Ohms B Ph	Pull-Up Torque:	22.1 LB-FT
Temp. Rise @ Rated Load:	50 C	Locked-Rotor Torque:	29.1 LB-FT
Temp. Rise @ S.F. Load:	65 C	Starting Current:	191.0 Amps

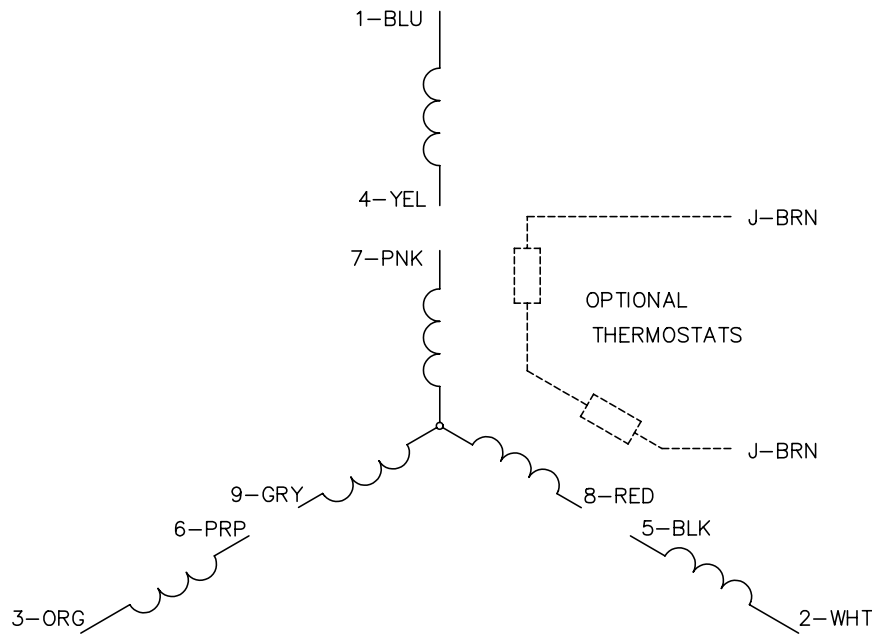
Load Characteristics							
% of Rated Load	25	50	75	100	125	150	S.F.
Power Factor:	77.0	92.0	94.0	94.0	92.0	89.0	93.0
Efficiency:	91.6	92.7	92.2	90.1	88.3	85.3	89.0
Speed:	3567.0	3536.0	3500.0	3457.0	3409.0	3352.0	3428.0
Line Amperes:	10.9	18.0	26.7	36.4	47.8	61.1	43.2

Performance Graph at 208V, 60Hz, 15.0HP Typical performance - Not guaranteed values

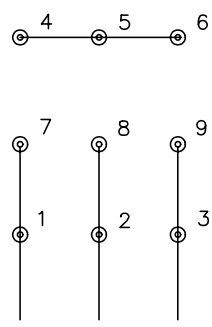




CD0005

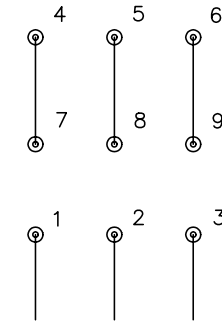


LOW VOLTAGE (2Y)



LINE

HIGH VOLTAGE (1Y)



LINE

NOTES:

1. INTERCHANGE ANY TWO LINE LEADS TO REVERSE ROTATION.
2. OPTIONAL THERMOSTATS ARE PROVIDED WHEN SPECIFIED.
3. ACTUAL NUMBER OF INTERNAL PARALLEL CIRCUITS MAY BE A MULTIPLE OF THOSE SHOWN ABOVE.
4. LEAD COLORS ARE OPTIONAL. LEADS MUST ALWAYS BE NUMBERED AS SHOWN.

REV. DESC: REVISE TO SHOW OPTIONAL COLORS			
REV. LTR: E	BY: JLP	REVISED: 01/19/99 10:15	TDR: 0171435
90000		FILE: AAA00005140	MDL: -
		MTL: -	

BALDOR ELECTRIC Co.

3PH, DV, 9 LEADS

CD0005