

# **BALDOR® • RELIANCE**

## **Product Information Packet**

### **EJPM4108T**

**30HP,3520RPM,3PH,60HZ,286JP,1038M,TEFC,F**

Copyright © All product information within this document is subject to Baldor Electric Company copyright © protection, unless otherwise noted.

Part Detail							
Revision:	A	Status:	PRD/A	Change #:		Proprietary:	No
Type:	AC	Prod. Type:	1038M	Elec. Spec:	10WGY713	CD Diagram:	
Enclosure:	TEFC	Mfg Plant:		Mech. Spec:	10E381	Layout:	
Frame:	286JP	Mounting:	F1	Poles:	02	Created Date:	04-28-2010
Base:	RG	Rotation:	R	Insulation:	F	Eff. Date:	09-18-2012
Leads:	9#10	Literature:		Elec. Diagram:		Replaced By:	

**Nameplate NP2138L**

CAT.NO.	EJPM4108T	P/N		ENCLOSURE	TEFC		
SPEC.	10E381Y713G1	CC	010A	FRAME	286JP	S/N	
HP	30	CLASS	F	HZ	60		
RPM	3520	PH	3	DES	B		
VOLT	208-230/460	KVA-CODE	G	ODE BRG	6309	DE BRG	6312
AMP	76-70/35	USABLE AT 208V					
RATING	40C AMB-CONT	GREASE	POLYREX EM				
NEMA-NOM-EFF	91.7	PF	87	SER.F.	1.15		
HTR-VOLTS		HTR-AMPS		MAX. SPACE HEATER TEMP.			

Parts List		
Part Number	Description	Quantity
SA194168	SA 10E381Y713G1	1.000 EA
RA181758	RA 10E381Y713G1	1.000 EA
37FN3002C03	EXFN, PLASTIC, 6.00 OD, 1.690 ID	1.000 EA
S/P107-000-004	SUPER-E(284 FR. & UP)-CL PLANT,POLYREX E	1.000 EA
10CB3000SP	STD KO BOX MODEL 310,312,314 MTRS W/2.00	1.000 EA
12GS1000SP	GASKET	1.000 EA
10XN3118K12	5/16-18 X .75 GRADE 5, ZINC PLATED	4.000 EA
HW1001A31	LOCKWASHER 5/16, ZINC PLT.591 OD, .319 I	4.000 EA
WD1000B16	KPA-4C BURNDY TERMINAL	1.000 EA
51XF2520A08	SCREW, HEX SER SLT HD, ZN 1/4-20 X .50 L	1.000 EA
10EP1106A01	FR ENDPLATE, MACH	1.000 EA
10XN3816K32	BOLT, 3/8-16X2 HH YZ(5)	4.000 EA
HW1001A38	LOCKWASHER 3/8, ZINC PLT .688 OD, .382 I	4.000 EA
HW5100A11	W3917-042 WVY WSHR (WB)	1.000 EA
10EP1304A06	PU ENDPLATE, MACH	1.000 EA
10XN2520K32	1/4-20 X 2.00 HX HD SCRW GRADE 5, ZINC P	2.000 EA
HW1001A25	LOCKWASHER 1/4, ZINC PLT .493 OD, .255 I	2.000 EA
10XN3118K44	5/16-18 X 2.75" HEX HD, GRADE 5	4.000 EA
HW1001A31	LOCKWASHER 5/16, ZINC PLT.591 OD, .319 I	4.000 EA
10XN3816K28	3/8-16 X 1.75 HEX HD CAP SCREW, GRADE 5	4.000 EA
HW1001A38	LOCKWASHER 3/8, ZINC PLT .688 OD, .382 I	4.000 EA
10FH4000SP	310 FAN HOUSING STAMPED	1.000 EA
10XN2520K08	1/4-20 X .50 GRADE #5, STL, ZINC PLATE	4.000 EA
HW1001A25	LOCKWASHER 1/4, ZINC PLT .493 OD, .255 I	4.000 EA

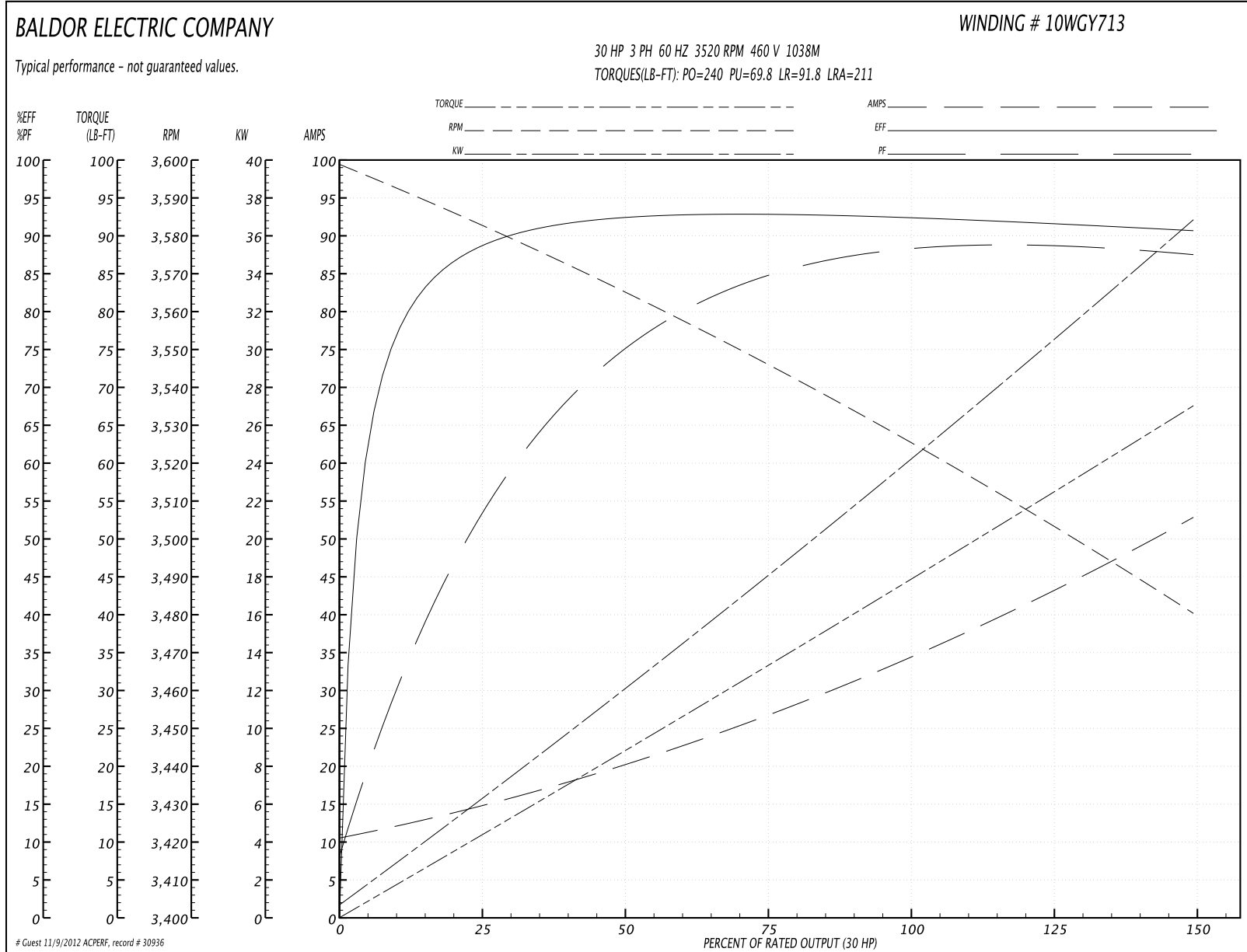
Parts List (continued)		
Part Number	Description	Quantity
HA2009A03	SLINGER, ALUMINUM, (AUTO)ANODIZED ALUM	1.000 EA
80XN1032A06	10-32 X 3/8 SET SC HEX SOCK	1.000 EA
10CB3500SP	CONDUIT BOX LID, CAST	1.000 EA
10GS1000SP	GASKET, CONDUIT BOX LID	1.000 EA
51XW2520A12	.25-20 X .75, TAPTITE II, HEX WSHR SLTD	4.000 EA
HW2501E22	KEY, 1/4 SQ X 2.500	1.000 EA
LB1115	LABEL,LIFTING DEVICE	1.000 EA
LB5040	INSTRUCTION TAG, AC & DC	1.000 EA
HW4500A21	1618BALEMITE FITTING 825 UNIVERSAL	1.000 EA
HA4017A01	1/8 X 4 GREASE EXT (F/S)	1.000 EA
HW4500A17	317400 ALEMITE GREASE RELIEF	1.000 EA
HA4001A01SP	DRAIN PLUG, PLASTIC (MICRO PLAS)	1.000 EA
HA4051A00	PLASTIC CAP FOR GREASE FITTING	1.000 EA
MJ1000A75	GREASE, POLYREX EM EXXON	0.130 LB
HW4500A03	GREASE FITTING, .125 NPT 1610(ALEMITE) 8	1.000 EA
HW4500A17	317400 ALEMITE GREASE RELIEF	1.000 EA
HA4001A01SP	DRAIN PLUG, PLASTIC (MICRO PLAS)	1.000 EA
HA4051A00	PLASTIC CAP FOR GREASE FITTING	1.000 EA
HW2500A25	WOODRUFF KEY USA #1008 #BLOW CARBON STEE	1.000 EA
51XB1214A20	12-14X1.25 HXWSSLD SERTYB	1.000 EA
MG1000Y03	WILKO 689.710 GOLD PAINT SUPER E	0.070 GA
85XU0407A04	#4-7 X 1/4 DRIVE PIN	4.000 EA
LB1119	WARNING LABEL	1.000 EA
LB1125C02	SUPER-E (STOCK CTN LABEL SUPER-E WITH FL	4.000 EA

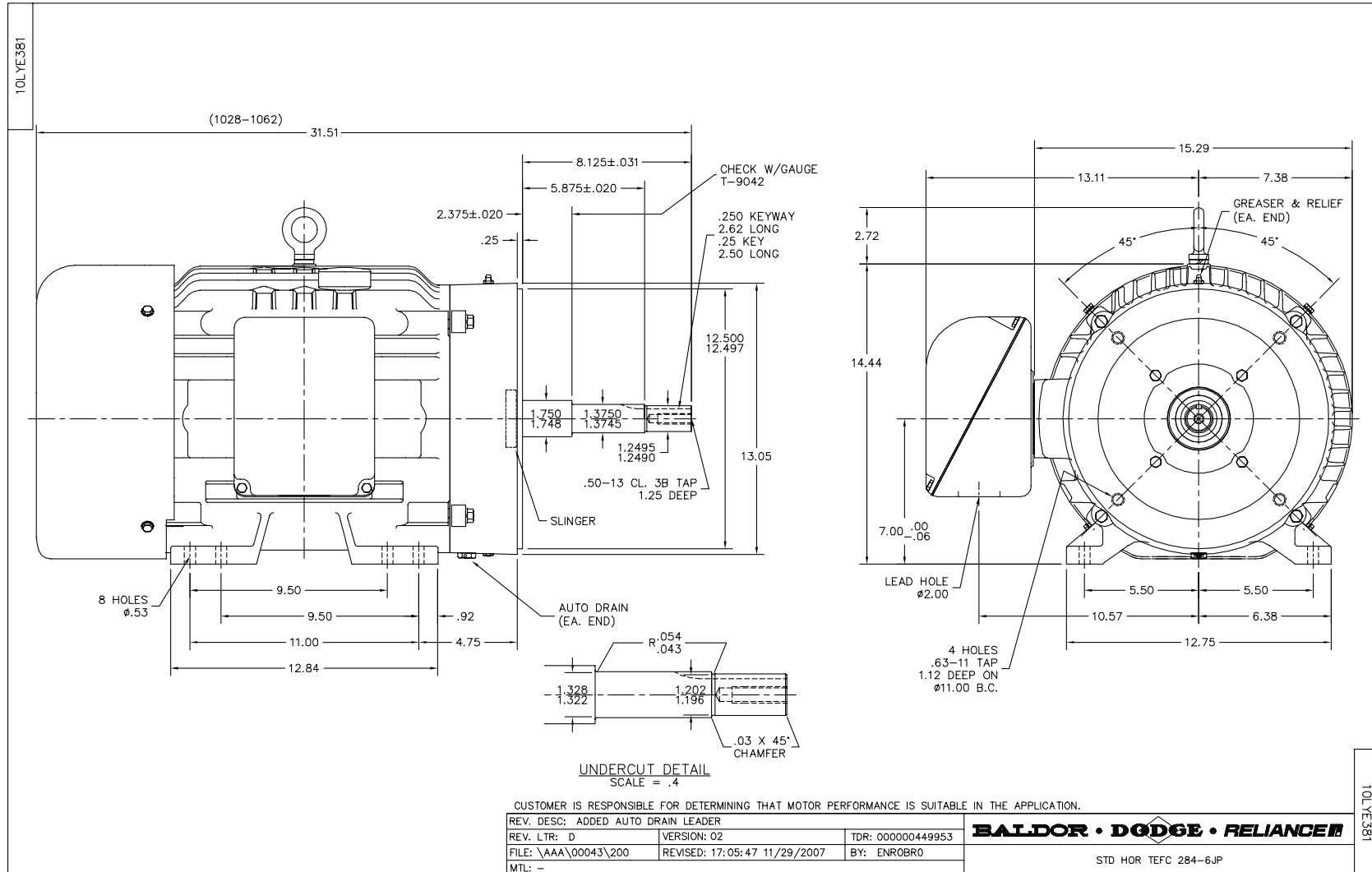
Parts List (continued)		
Part Number	Description	Quantity
LB1357	ENERGY GUIDE LABEL (BOX LABEL)	1.000 SH
LC0181	CONNECTION LABEL	1.000 EA
NP2138L	ALUM SUPER-E UL CSA-EEV PREM CC (300	1.000 EA
10PA1010	PACKAGING GROUP,BRAKE MTRTDR 10086	1.000 EA

**Performance Data at 460V, 60Hz, 30.0HP (Typical performance - Not guaranteed values)**

General Characteristics							
Full Load Torque:	45.1 LB-FT			Start Configuration:	DOL		
No-Load Current:	11.2 Amps			Break-Down Torque:	240.0 LB-FT		
Line-line Res. @ 25°C.:	0.236 Ohms A Ph / 0.0 Ohms B Ph			Pull-Up Torque:	69.8 LB-FT		
Temp. Rise @ Rated Load:	71 C			Locked-Rotor Torque:	91.8 LB-FT		
Temp. Rise @ S.F. Load:	88 C			Starting Current:	211.0 Amps		
Load Characteristics							
% of Rated Load	25	50	75	100	125	150	S.F.
Power Factor:	58.0	77.0	85.0	87.0	88.0	88.0	88.0
Efficiency:	87.7	92.3	92.9	92.6	91.6	90.6	92.0
Speed:	3582.0	3565.0	3545.0	3524.0	3504.0	3480.0	3512.0
Line Amperes:	14.0	20.1	27.2	35.3	43.6	52.4	40.3

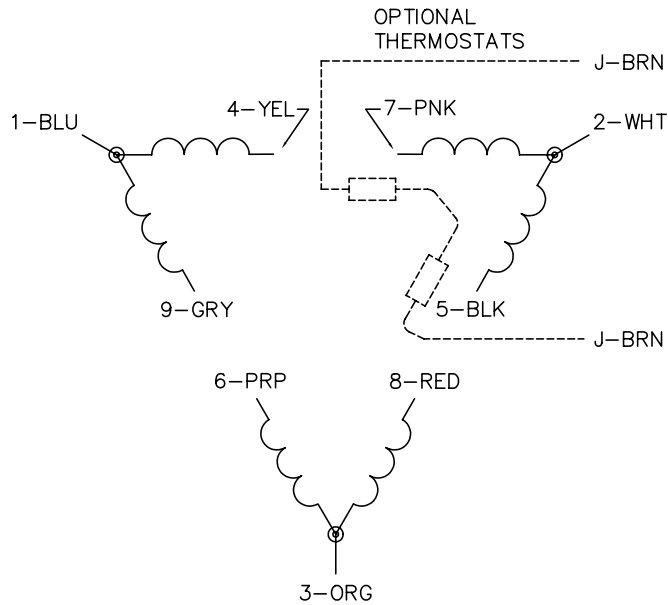
Performance Graph at 460V, 60Hz, 30.0HP Typical performance - Not guaranteed values



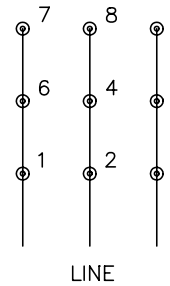




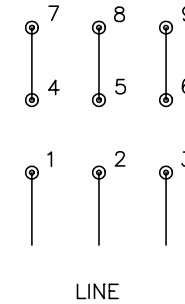
CD0180



LOW VOLTAGE  
(2D)



HIGH VOLTAGE  
(1D)



NOTES:

1. INTERCHANGE ANY TWO LINE LEADS TO REVERSE ROTATION.
2. OPTIONAL THERMOSTATS ARE PROVIDED WHEN SPECIFIED.
3. ACTUAL NUMBER OF INTERNAL PARALLEL CIRCUITS MAY BE A MULTIPLE OF THOSE SHOWN ABOVE.
4. LEAD COLORS ARE OPTIONAL. LEADS MUST ALWAYS BE NUMBERED AS SHOWN.

REV. DESC: REVISE TO SHOW OPTIONAL COLORS			
REV. LTR: C	BY: JLP	REVISED: 01/21/99 2:28	TDR: 0171435
0810D0		FILE: AAA00005148	MDL: -
		MTL: -	

**BALDOR ELECTRIC Co.**

3PH, DV, 9 LEADS, DELTA CONNECTION

CD0180