

**BALDOR® • RELIANCE**

**Product Information Packet**

**WALKER INDUSTRIAL PRODUCTS, INC.**

**EL11205**

**.33HP,3475RPM,1PH,60HZ,48,3413LC,ODP,F1**

Part Detail							
Revision:	D	Status:	PRD/A	Change #:		Proprietary:	No
Type:	AC	Prod. Type:	3413LC	Elec. Spec:	34WGR144	CD Diagram:	CD0055
Enclosure:	ODP	Mfg Plant:		Mech. Spec:	34F351	Layout:	34LYF351
Frame:	48	Mounting:	F1	Poles:	02	Created Date:	03-05-2014
Base:	RG	Rotation:	R	Insulation:	F	Eff. Date:	10-08-2014
Leads:	6#18					Replaced By:	
Literature:		Elec. Diagram:					

<b>Nameplate NP3155L</b>							
CAT.NO.	EL11205						
SPEC.	34F351R144G1						
HP	.33						
VOLTS	115/230						
AMP	3/1.5						
RPM	3475						
FRAME	48	HZ	60	PH	1		
SER.F.	1.35	CODE	H	DES	N	CL	F
F.L. AVG. EFF.	70.5	PF	97				
RATING	40C AMB-CONT						
CC		USABLE AT 208V					
DE	6203	ODE	6203				
ENCL	ODP	SN					
	SFA 3.9/1.95						

**AC Induction Motor Performance Data**

Record # 45445 - Typical performance - not guaranteed values

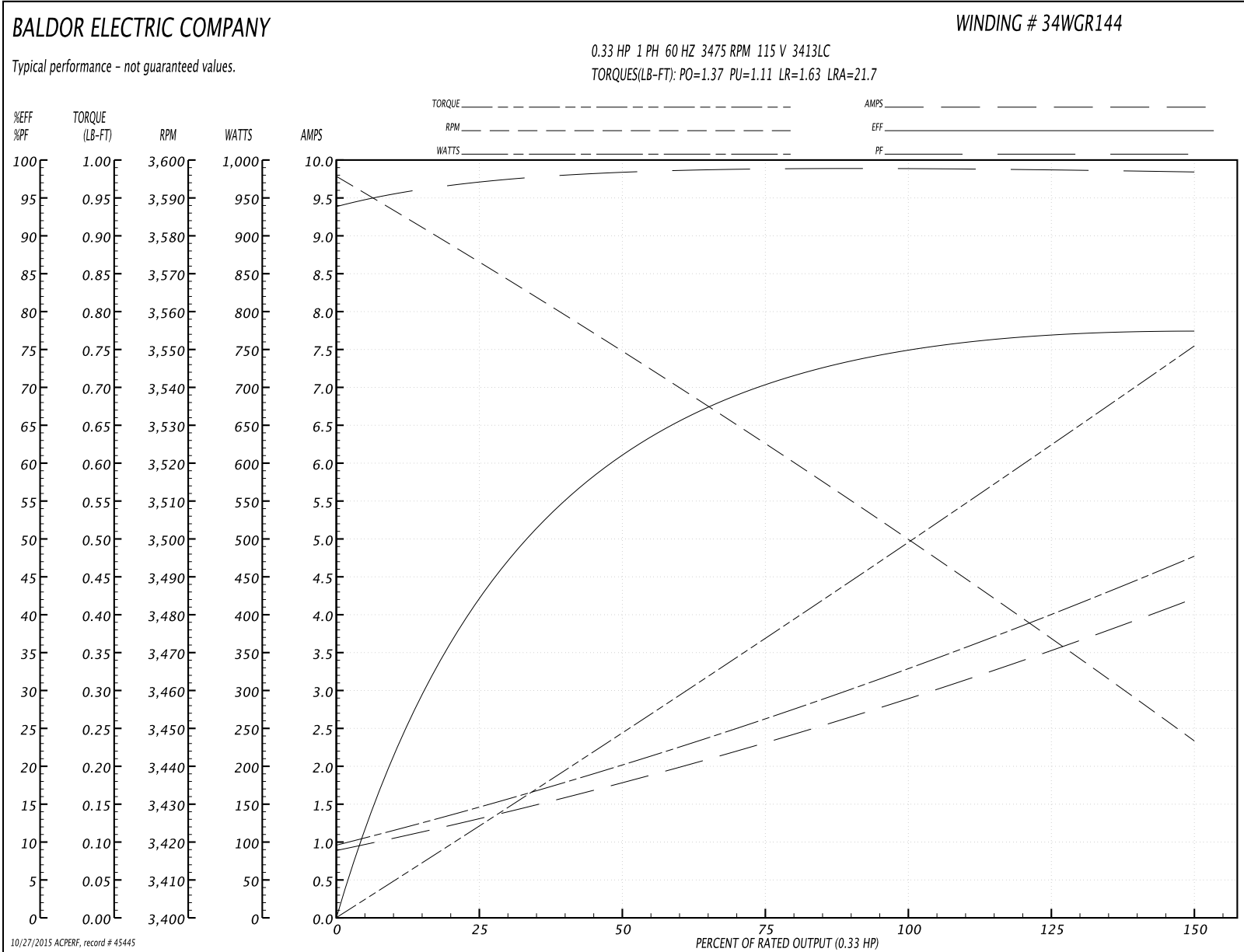
<b>Winding:</b> 34WGR144-R001	<b>Type:</b> 3413LC	<b>Enclosure:</b> OPEN
-------------------------------	---------------------	------------------------

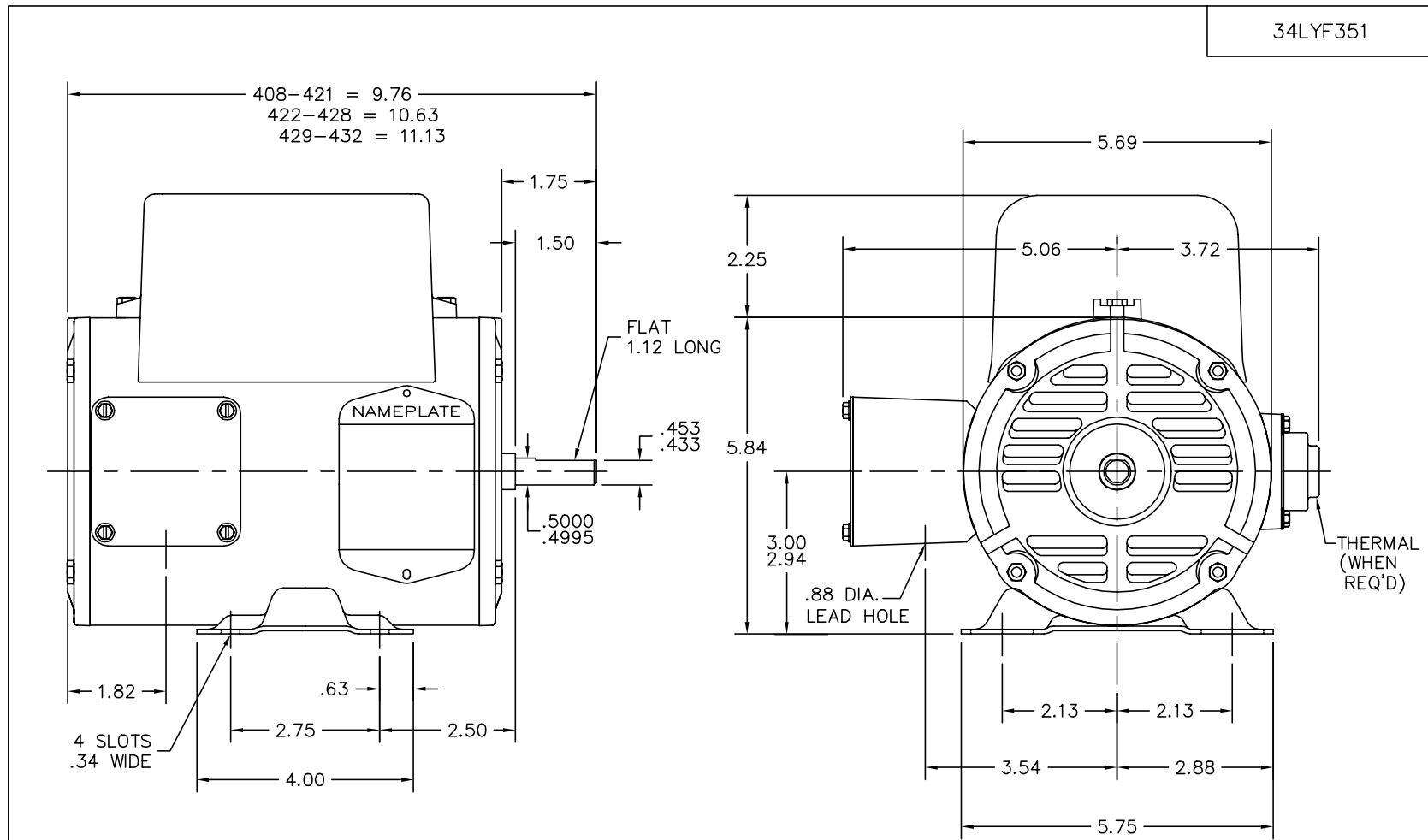
Nameplate Data				115 V, 60 Hz: Low Voltage Connection	
Rated Output (HP)	.33			Full Load Torque	0.495 LB-FT
Volts	115/230			Start Configuration	direct on line
Full Load Amps	3/1.5			Breakdown Torque	1.37 LB-FT
R.P.M.	3475			Pull-up Torque	1.11 LB-FT
Hz	60	Phase	1	Locked-rotor Torque	1.63 LB-FT
NEMA Design Code	N	KVA Code	H	Starting Current	21.7 A
Service Factor (S.F.)	1.35			No-load Current	0.91 A
NEMA Nom. Eff.	70.5	Power Factor	97	Line-line Res. @ 25°C	1.8711 Ω A Ph 3.6847 Ω B Ph
Rating - Duty	40C AMB-CONT			Temp. Rise @ Rated Load	14°C
S.F. Amps	3.9/1.95			Temp. Rise @ S.F. Load	17°C

Load Characteristics 115 V, 60 Hz, 0.33 HP

% of Rated Load	25	50	75	100	125	150	S.F.
Power Factor	97	98	98	99	99	98	99
Efficiency	43.3	61.5	70.3	74.5	76.4	77.7	76.9
Speed	3567.1	3549.9	3526.5	3501.3	3474.4	3445.4	3463
Line amperes	1.29	1.76	2.32	2.91	3.54	4.2	3.8

Performance Graph at 115V, 60Hz, 0.33HP Typical performance - Not guaranteed values





CUSTOMER IS RESPONSIBLE FOR DETERMINING THAT MOTOR PERFORMANCE IS SUITABLE IN THE APPLICATION.

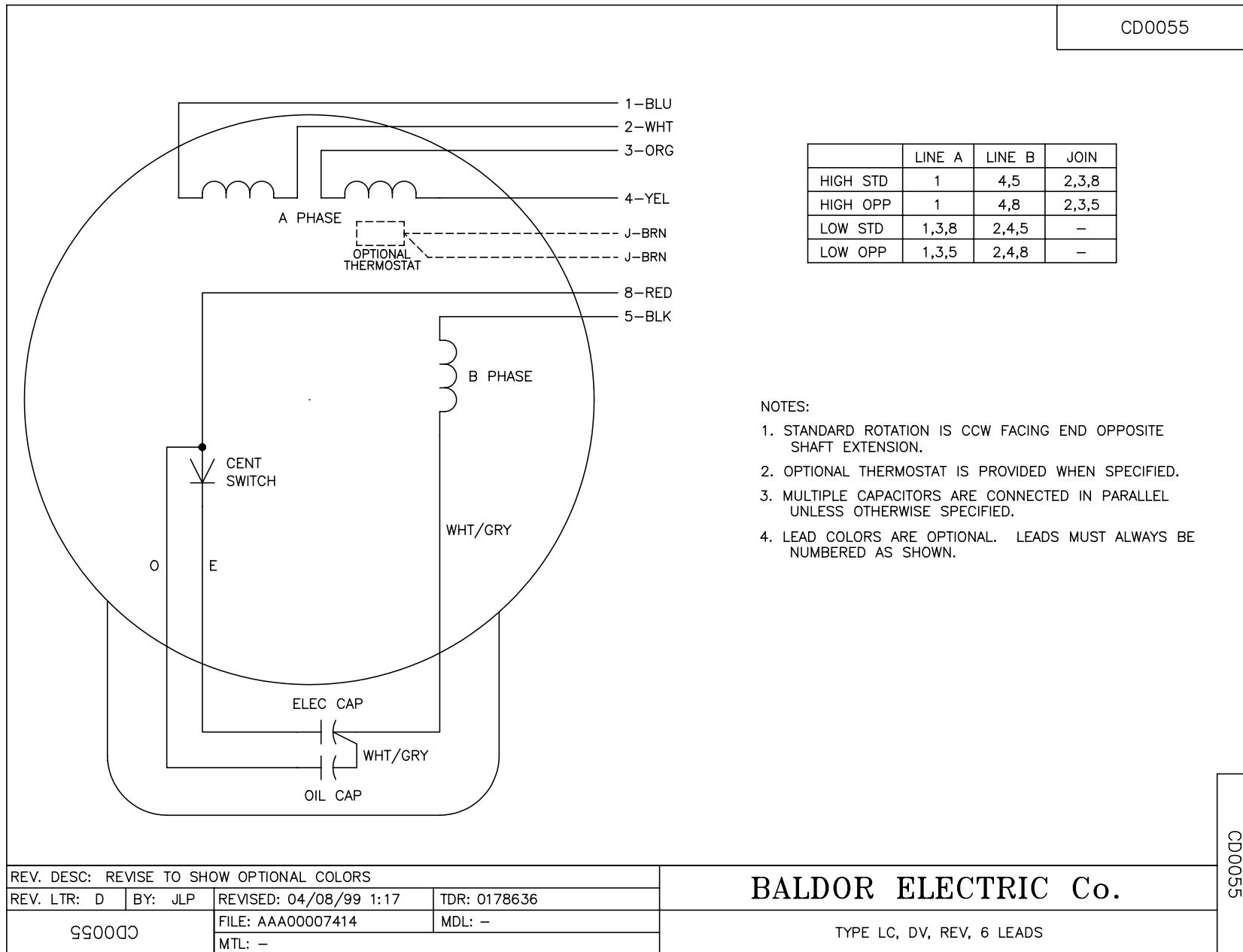
REV. DESC: DIM: KOBX LOC FROM ODE TO THE CENTERLINE OF KOBX		
REV. LTR: C	VERSION: 02	TDR: 000000386903
34LYF351	FILE: \AAA\00037\242	REVISED: 11:20:24 01/26/2006
	MTL: -	BY: ENMARW1

**BALDOR ELECTRIC Co.**

STD HOR 34LC NEMA 48 OPEN

34LYF351

CD0055



REV. DESC: REVISE TO SHOW OPTIONAL COLORS			
REV. LTR: D	BY: JLP	REVISED: 04/08/99 1:17	TDR: 0178636
990000		FILE: AAA00007414	MDL: -
		MTL: -	

**BALDOR ELECTRIC Co.**

TYPE LC, DV, REV, 6 LEADS

CD0055