

# **BALDOR® • RELIANCE**

**Product Information Packet**

**WALKER INDUSTRIAL PRODUCTS, INC.**

**EL11308**

**.75HP, 1140RPM, 1PH, 60HZ, 56H, 3530LC, OPEN, F**

Part Detail							
Revision:	D	Status:	PRD/A	Change #:		Proprietary:	No
Type:	AC	Prod. Type:	3530LC	Elec. Spec:	35WGN667	CD Diagram:	CD0055
Enclosure:	OPEN	Mfg Plant:		Mech. Spec:	35E007	Layout:	35LYE007
Frame:	56H	Mounting:	F1	Poles:	06	Created Date:	09-30-2014
Base:	RG	Rotation:	R	Insulation:	B	Eff. Date:	07-29-2015
Leads:	6#18					Replaced By:	
Literature:		Elec. Diagram:					

<b>Nameplate NP3155L</b>							
CAT.NO.	EL11308						
SPEC.	35E007N667G1						
HP	.75						
VOLTS	115/230						
AMP	6.2/3.1						
RPM	1140						
FRAME	56H	HZ	60	PH	1		
SER.F.	1.00	CODE	G	DES	L	CL	B
F.L. AVG. EFF.	80.2	PF	99				
RATING	40C AMB-CONT						
CC		USABLE AT 208V					
DE	6205	ODE	6203				
ENCL	OPEN	SN					

**AC Induction Motor Performance Data**

Record # 50451 - Typical performance - not guaranteed values

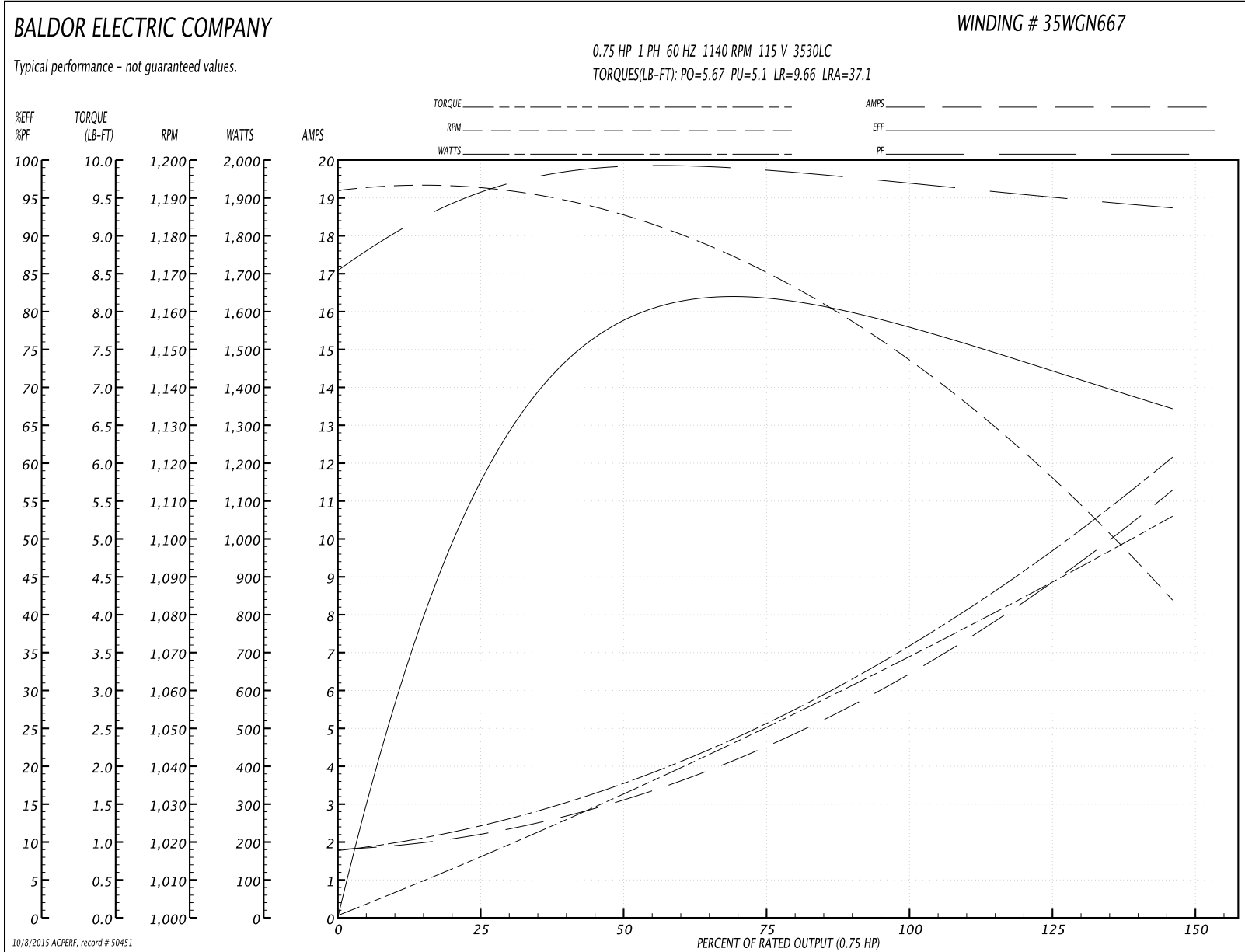
<b>Winding:</b> 35WGN667-R004	<b>Type:</b> 3530LC	<b>Enclosure:</b> OPEN
-------------------------------	---------------------	------------------------

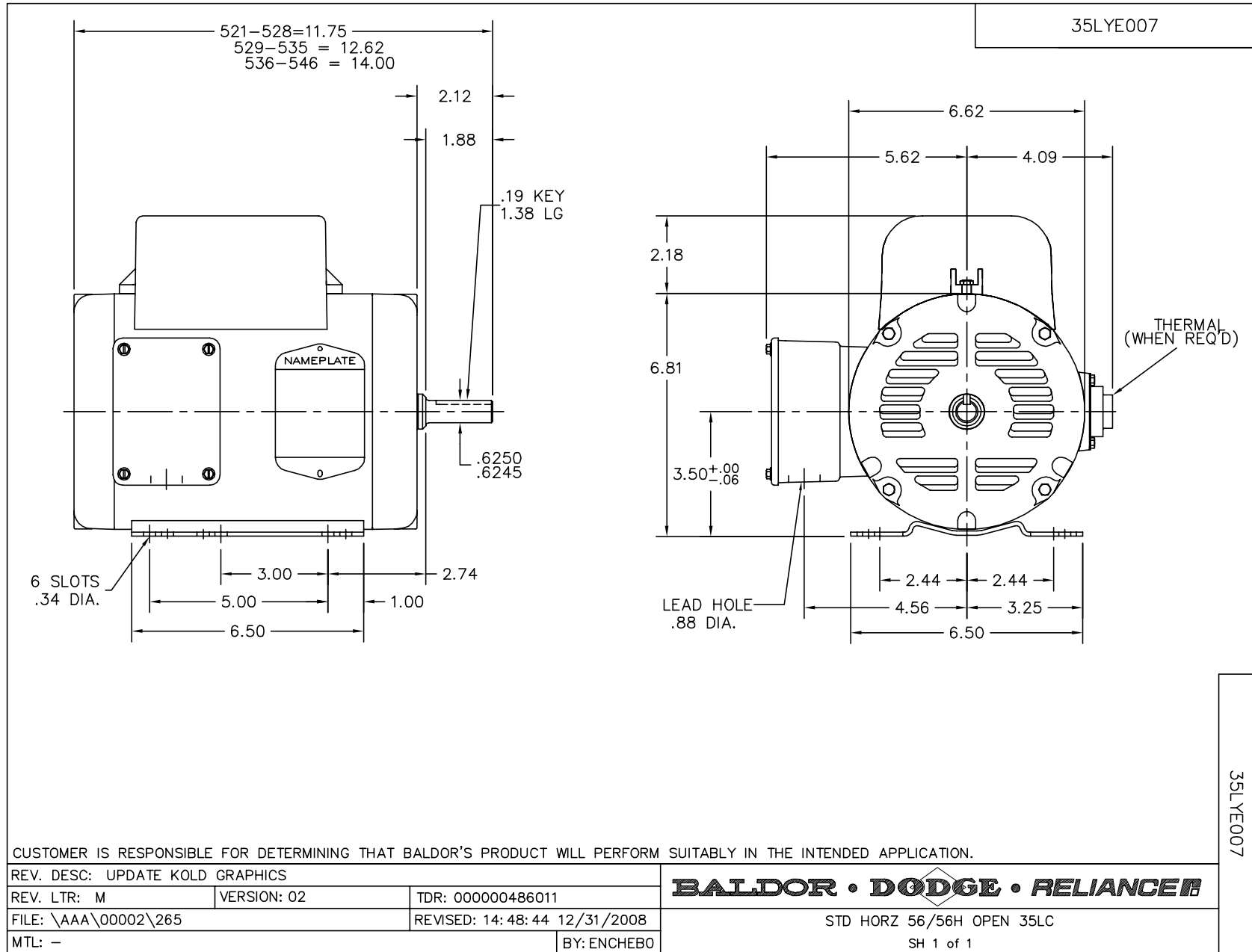
Nameplate Data				115 V, 60 Hz: Low Voltage Connection	
Rated Output (HP)	.75			Full Load Torque	3.43 LB-FT
Volts	115/230			Start Configuration	direct on line
Full Load Amps	6.2/3.1			Breakdown Torque	5.67 LB-FT
R.P.M.	1140			Pull-up Torque	5.1 LB-FT
Hz	60	Phase	1	Locked-rotor Torque	9.66 LB-FT
NEMA Design Code	L	KVA Code	G	Starting Current	37.1 A
Service Factor (S.F.)	1			No-load Current	1.46 A
NEMA Nom. Eff.	80.2	Power Factor	99	Line-line Res. @ 25°C	1.44 Ω A Ph 1.81 Ω B Ph
Rating - Duty	40C AMB-CONT			Temp. Rise @ Rated Load	35°C
				Rotor inertia	0.178 LB-FT <sup>2</sup>

Load Characteristics 115 V, 60 Hz, 0.75 HP

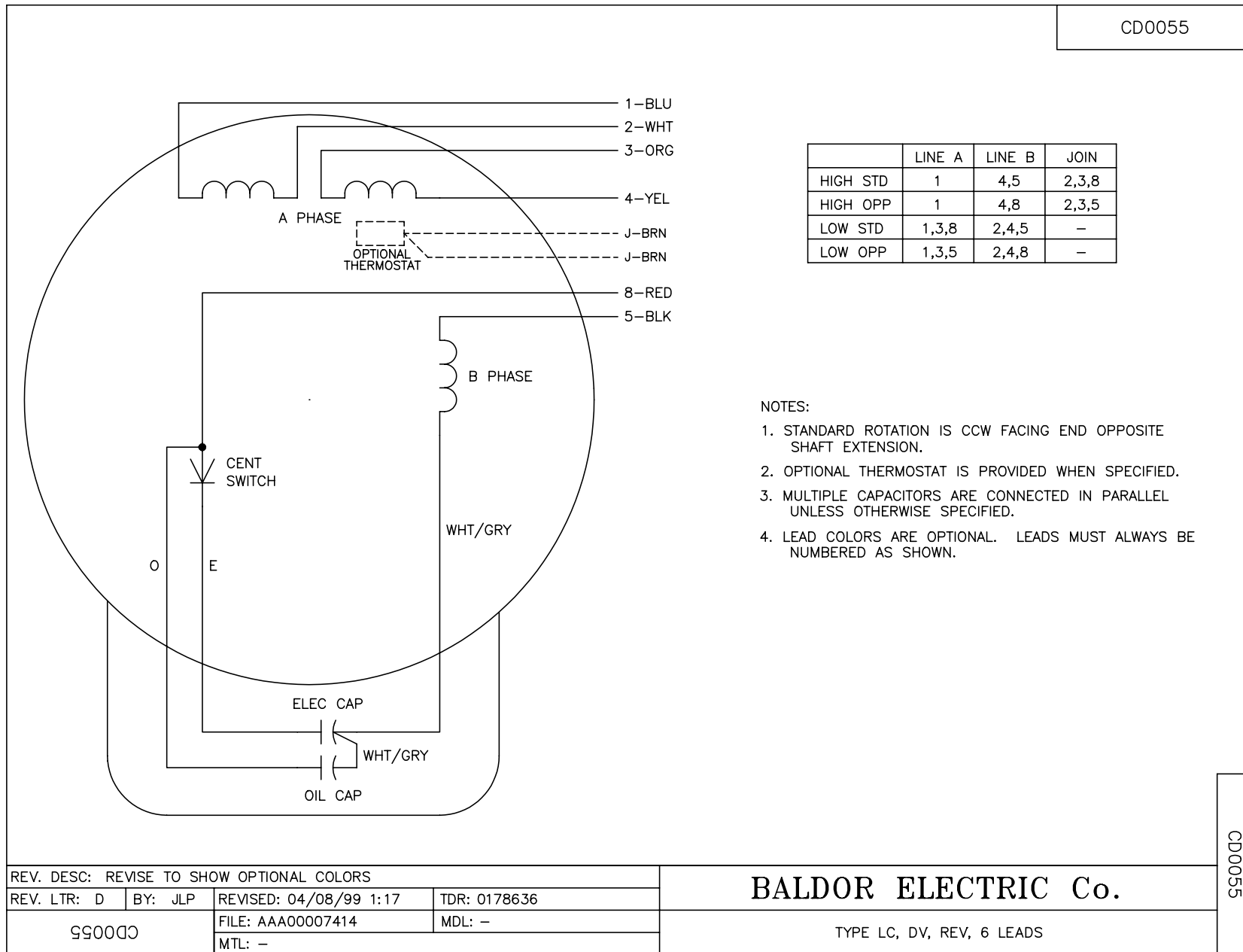
% of Rated Load	25	50	75	100	125	150
Power Factor	93	96	99	98	96	93
Efficiency	52.8	71.8	79.6	81.2	77.6	64.2
Speed	1189	1180	1167	1151	1130	1073
Line amperes	2.47	3.55	4.62	6.12	8.17	11.9

Performance Graph at 115V, 60Hz, 0.75HP Typical performance - Not guaranteed values





CD0055



REV. DESC: REVISE TO SHOW OPTIONAL COLORS			
REV. LTR: D	BY: JLP	REVISED: 04/08/99 1:17	TDR: 0178636
990000		FILE: AAA00007414	MDL: -
		MTL: -	

**BALDOR ELECTRIC Co.**

TYPE LC, DV, REV, 6 LEADS

CD0055