

BALDOR® • RELIANCE

Product Information Packet

EL1405T

2HP,1740RPM,1PH,60HZ,182T,3623LC,OPSB,F1

Copyright © All product information within this document is subject to Baldor Electric Company copyright © protection, unless otherwise noted.

Part Detail									
Revision:	AD	Status:	PRD/A	Change #:		Proprietary:	No		
Type:	AC	Prod. Type:	3623LC	Elec. Spec:	36WGY526	CD Diagram:			
Enclosure:	OPSB	Mfg Plant:		Mech. Spec:	36G967	Layout:			
Frame:	182T	Mounting:	F1	Poles:	04	Created Date:			
Base:	RG	Rotation:	R	Insulation:	F	Eff. Date:	05-24-2012		
Leads:	6#16	Literature:		Elec. Diagram:		Replaced By:			
Nameplate NP2116L									
CAT.NO.	EL1405T								
SPEC.	36G967Y526G1								
HP	2								
VOLTS	115/230								
AMP	17.6/8.8								
RPM	1740								
FRAME	182T	HZ			60	PH	1		
SER.F.	1.15	CODE			J	DES	L	CL	F
NEMA-NOM-EFF	82.5	PF			90				
RATING	40C AMB-CONT								
CC				USABLE AT 208V					
DE	6206	ODE			6205				
ENCL	OPSB	SN							
	SFA 20.4/10.2								

Parts List		
Part Number	Description	Quantity
SA036067	SA 36G967Y526G1	1.000 EA
RA032094	RA 36G967Y526G1	1.000 EA
36CB3004	36 CB CASTING W/1.09 DIA LEAD HOLE @ 6:0	1.000 EA
36GS1000SP	GASKET-CONDUIT BOX, .06 THICK #SV-330 LE	1.000 EA
51XB1016A08	10-16X 1/2HXWSSLD SERTYB	2.000 EA
11XW1032G06	10-32 X .38, TAPTITE II, HEX WSHR SLTD U	1.000 EA
HW3001B01	003SS CUP WASHER, FOR #8 SCREW	1.000 EA
36EP3200A01SP	FR ENDPLATE, MACH	1.000 EA
HW4500A01	1641B(ALEMITE)400 UNIV, GREASE FITT	1.000 EA
SP1008A01	BAFFLE, MODEL 36 & 37	1.000 EA
13XF0832A08	8-32 X.50 PAN HD,SLTD, TYPE F SCREW, ZIN	2.000 EA
10XN2520A12	O1/4-20X 3/4 HEX HEAD CAP	2.000 EA
HW5100A05	WVY WSHR F/205 & 304 BRGS	1.000 EA
36EP3100A01SP	PU ENDPLATE, MACH	1.000 EA
HW4500A01	1641B(ALEMITE)400 UNIV, GREASE FITT	1.000 EA
HA3101A33	THRUBOLT- 1/4-20 X 12.00 X	4.000 EA
XY2520A12	1/4-20 HEX NUT, DIRECTIONAL SERRATIONS	4.000 EA
36CB4516	36 LIPPED CB LID	1.000 EA
37GS1001SP	GASKET, CONDUIT BOX LID, .06 THICK LEXID	1.000 EA
51XW0832A07	8-32 X .44, TAPTITE II, HEX WSHR SLTD SE	4.000 EA
HW2501E16	3KEY, 1/4 SQ X 1.750	1.000 EA
HA7000A02	KEY RETAINER RING, 1 1/8 DIA, 1 3/8 DIA	1.000 EA
85XU0407S04	4X1/4 U DRIVE PIN STAINLESS	2.000 EA
HA6362ZP	LIFTING LUG FOR 36 FRAME MOTORS.	2.000 EA

Parts List (continued)		
Part Number	Description	Quantity
36CB5009A01	CAP BOX KIT,36CB3800,EC1645A06(1)	1.000 EA
MJ1000A75	GREASE, POLYREX EM EXXON	0.050 LB
LB1115	LABEL,LIFTING DEVICE	1.000 EA
MG1000Y03	WILKO 689.710 GOLD PAINT SUPER E	0.022 GA
SP5064A01	MODEL 36 TYPE LC STATIONARY SWITCH LEAD	1.000 EA
LB1125C02	SUPER-E (STOCK CTN LABEL SUPER-E WITH FL	1.000 EA
LC0001A01	CONN LABEL / WARNING LABEL (LC0001 / LB1	1.000 EA
NP2116L	ALUM SUPER-E UL CSA CC	1.000 EA
36PA1000	PACK GROUP W/LB5001	1.000 EA
LB1357	ENERGY GUIDE LABEL (BOX LABEL)	1.000 SH

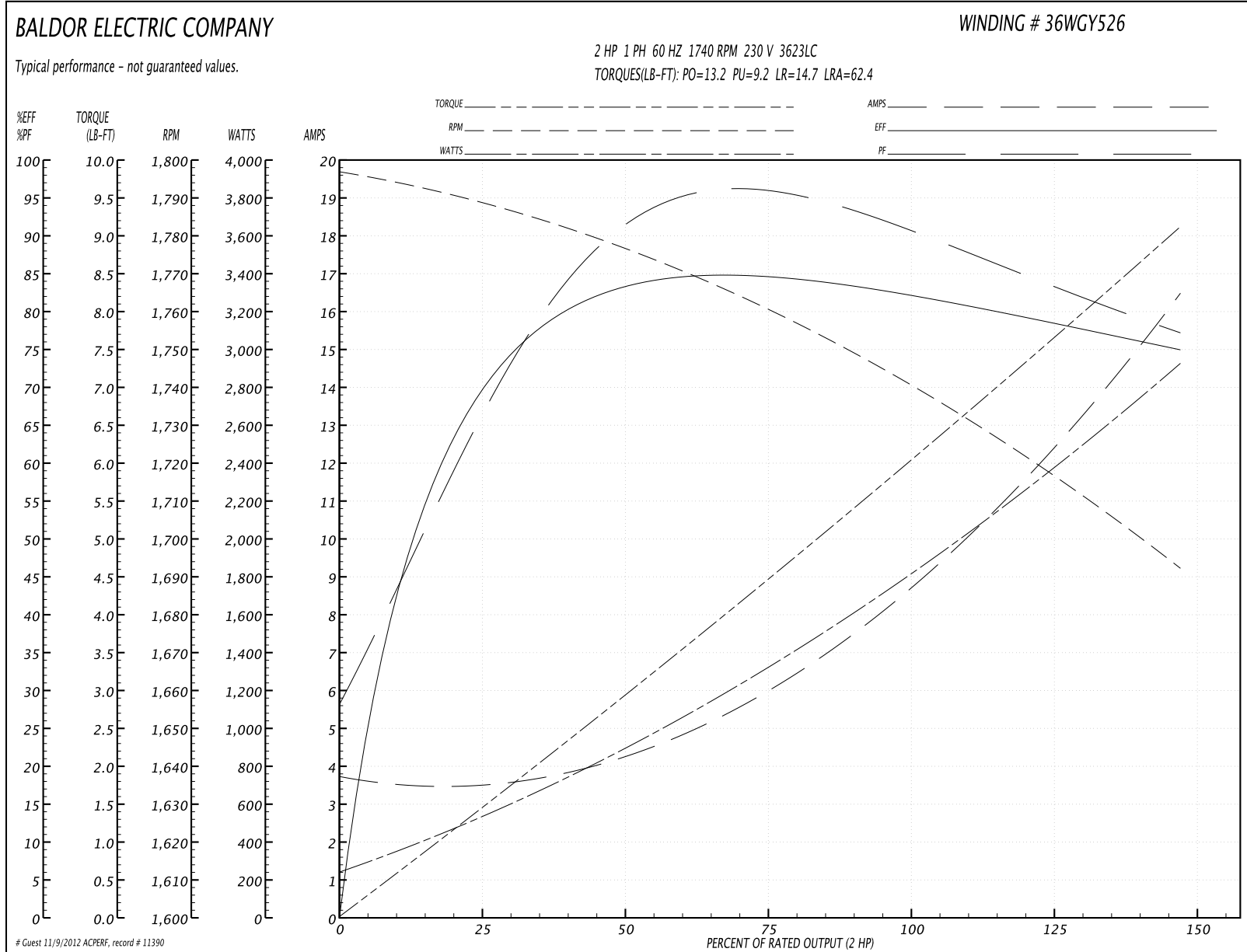
Accessories		
Part Number	Description	Multiplier
36-3403	C FACE KIT	A8
36EP1405A09SP	D-FLANGE KIT	A8

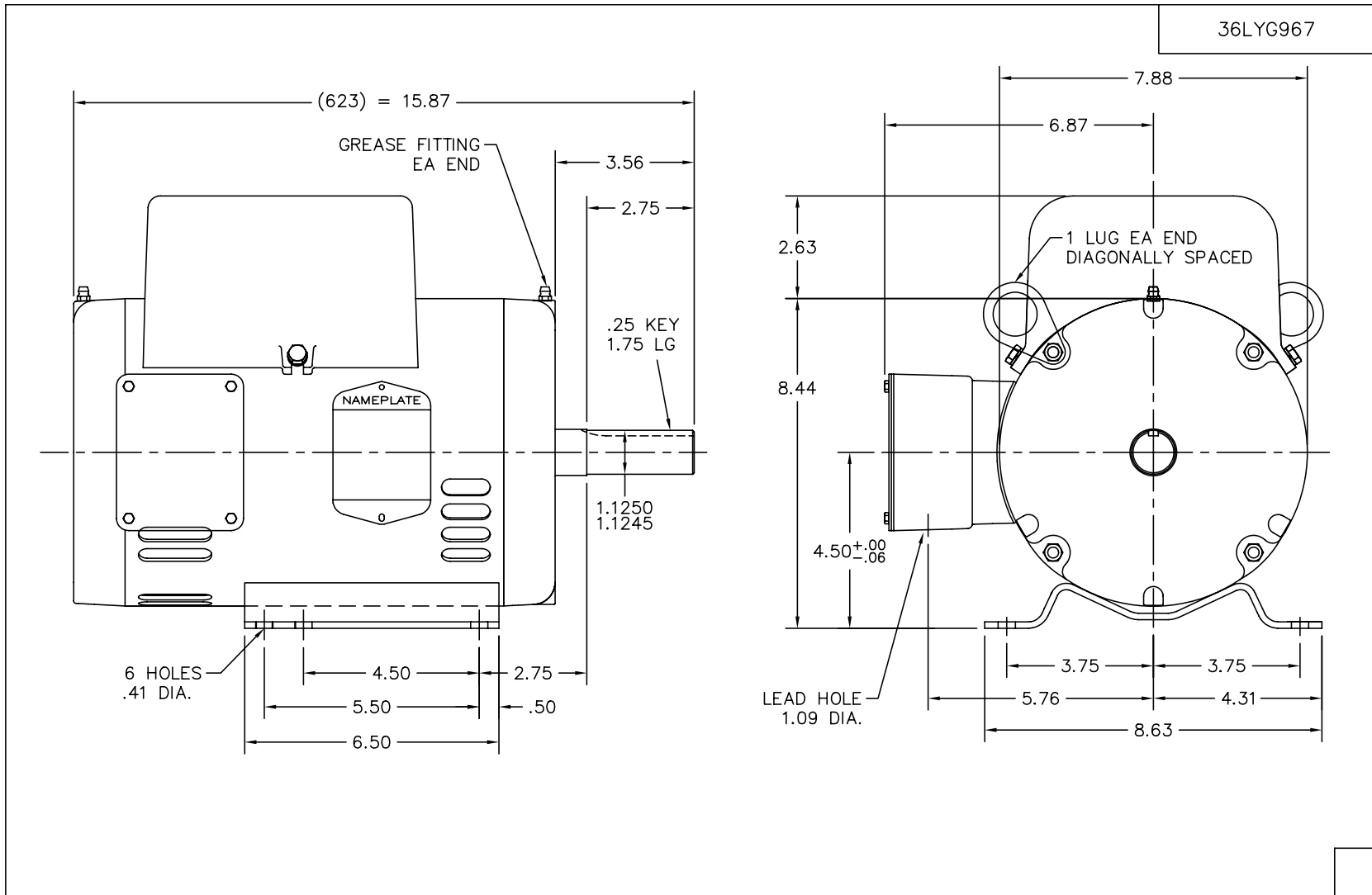
Performance Data at 230V, 60Hz, 2.0HP (Typical performance - Not guaranteed values)

General Characteristics			
Full Load Torque:	6.1 LB-FT	Start Configuration:	DOL
No-Load Current:	3.5 Amps	Break-Down Torque:	13.2 LB-FT
Line-line Res. @ 25°C.:	1.27 Ohms A Ph / 0.65 Ohms B Ph	Pull-Up Torque:	9.2 LB-FT
Temp. Rise @ Rated Load:	48 C	Locked-Rotor Torque:	14.7 LB-FT
Temp. Rise @ S.F. Load:	62 C	Starting Current:	62.4 Amps

Load Characteristics							
% of Rated Load	25	50	75	100	125	150	S.F.
Power Factor:	72.0	85.0	90.0	92.0	92.0	91.0	92.0
Efficiency:	70.9	81.6	83.9	82.6	79.6	74.3	80.8
Speed:	1787.0	1773.0	1758.0	1742.0	1722.0	1688.0	1730.0
Line Amperes:	3.46	4.83	6.61	8.6	11.08	17.38	10.1

Performance Graph at 230V, 60Hz, 2.0HP Typical performance - Not guaranteed values

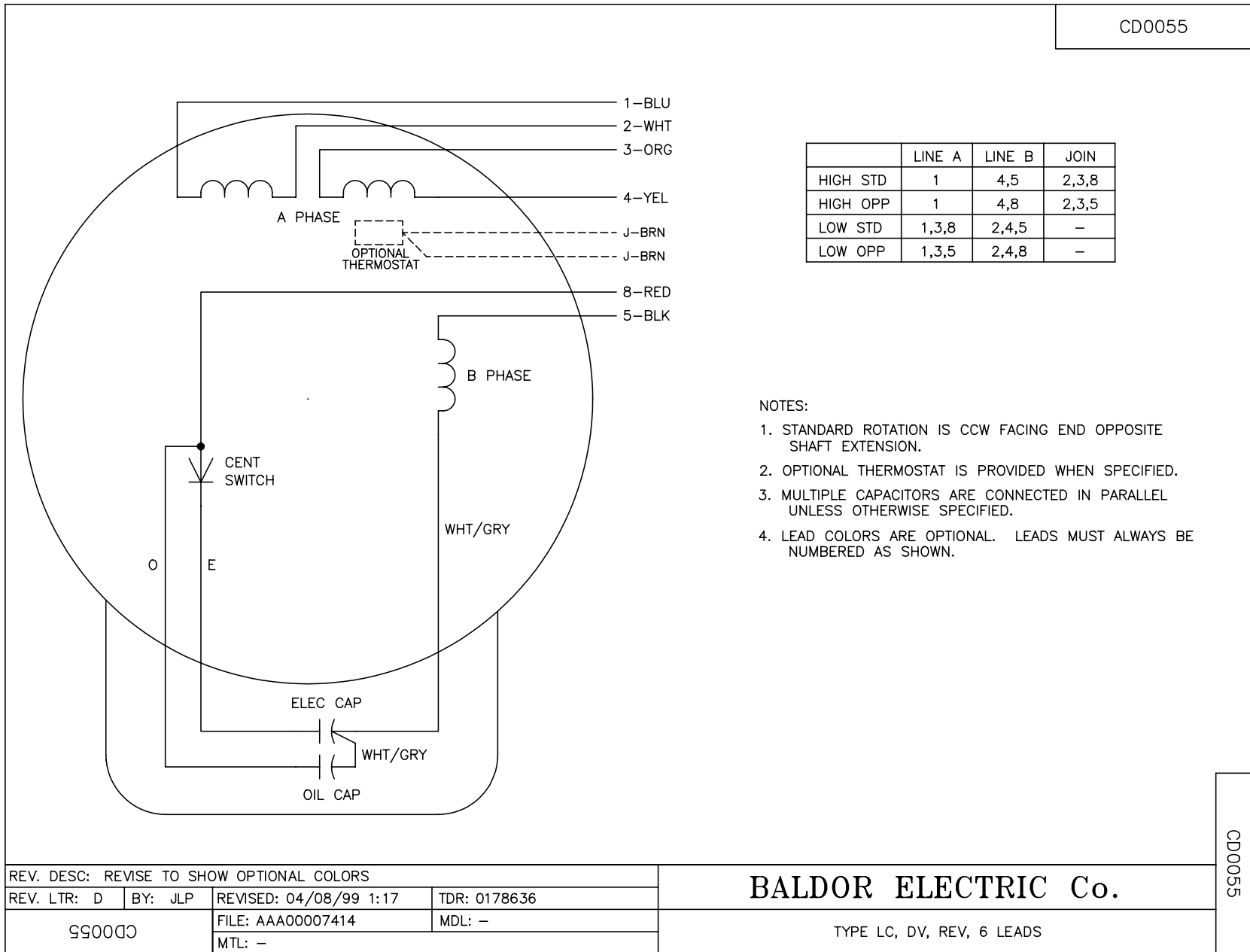




CUST. NAME		CUST. P.O.		CERTIFIED BY		MODEL		INSUL		AMB	
H.P.		MTG		TYPE		R.P.M.		VOLTS		ENCL	
PHASE		FREQ		FRAME							
REV. DESC: CHG'D CONDUIT BOX (SEE EC09)											
REV. LTR: D		BY: JED		REVISED: 01/27/99 4:07		TDR: 0171563					
FILE: AAA00015230				MDL: -							
36LYG967				BALDOR ELECTRIC Co.							
MTL: -				HORZ OPEN 182-4T 36LC SLOT BAND (623 ONLY)							

36LYG967

CD0055



REV. DESC: REVISE TO SHOW OPTIONAL COLORS			
REV. LTR: D	BY: JLP	REVISED: 04/08/99 1:17	TDR: 0178636
990055		FILE: AAA00007414	MDL: -
		MTL: -	

BALDOR ELECTRIC Co.

TYPE LC, DV, REV, 6 LEADS

CD0055