

# **BALDOR® • RELIANCE**

## **Product Information Packet**

### **EL3403**

**.25HP, 1745RPM, 1PH, 60HZ, 48, 3414LC, TEFC, F1**

Copyright © All product information within this document is subject to Baldor Electric Company copyright © protection, unless otherwise noted.

Part Detail							
Revision:	X	Status:	PRD/A	Change #:		Proprietary:	No
Type:	AC	Prod. Type:	3414LC	Elec. Spec:	34WGW955	CD Diagram:	
Enclosure:	TEFC	Mfg Plant:		Mech. Spec:	34G374	Layout:	
Frame:	48	Mounting:	F1	Poles:	04	Created Date:	
Base:	RG	Rotation:	R	Insulation:	F	Eff. Date:	02-08-2012
Leads:	6#18	Literature:		Elec. Diagram:		Replaced By:	

Nameplate NP2116L							
CAT.NO.	EL3403						
SPEC.	34G374W955G1						
HP	.25						
VOLTS	115/230						
AMP	2.5/1.25						
RPM	1745						
FRAME	48	HZ	60	PH	1		
SER.F.	1.35	CODE	K	DES	-	CL	F
NEMA-NOM-EFF	74	PF	89				
RATING	40C AMB-CONT						
CC				USABLE AT 208V			
DE	6203	ODE	6203				
ENCL	TEFC	SN					
	SFA 3.2/1.6						

Parts List		
Part Number	Description	Quantity
SA006943	SA 34G374W955G1	1.000 EA
RA003390	RA 34G374W955G1	1.000 EA
OC3015F12SP	CYL OIL CAP 15MFD/370V	1.000 EA
EC1108A01	ELEC CAP, 108-130 MFD, 125V, 1.48D X 2.	1.000 EA
S/P107-000-001	SUPER E PROC'S-FS & WS PLTS-POLYREX EM G	1.000 EA
NS2512A01	INSULATOR, CONDUIT BOX X	1.000 EA
34CB3002A	CB CAST W/.88 DIA HOLE	1.000 EA
34GS1029A01	GASKET, CONDUIT BOX	1.000 EA
51XB1016A07	10-16 X 7/16 HXWSSLD SERTYB	2.000 EA
11XW1032G06	10-32 X .38, TAPTITE II, HEX WSHR SLTD U	1.000 EA
51XW0832A07	8-32 X .44, TAPTITE II, HEX WSHR SLTD SE	2.000 EA
34EP3102A01SP	FR ENDPLATE, MACH	1.000 EA
34CB3801	CAPACITOR BOX, DIE CAST	1.000 EA
34GS3002	GASKET, CAPACITOR BOX	1.000 EA
NS2501A02	INSULATOR, CAPACITOR BOX	1.000 EA
34GS5003A01	FOAM SLEEVE, ID = 2 1/16" X 4 3/8"	1.000 EA
51XB1214A08	12-14 X 1/2HX WS SL SR TYBX	2.000 EA
HW5100A03SP	WAVY WASHER (W1543-017)	1.000 EA
34EP3102A02SP	FR/PU ENDPLATE, MACH	1.000 EA
XY1032A02	10-32 HEX NUT DIRECTIONAL SERRATION	4.000 EA
34FN3002A01SP	EXTERNAL FAN, PLASTIC, .637/.639 HUB W/	1.000 EA
34FH4002A01	IEC FH NO GREASER	1.000 EA
51XW1032A06	10-32 X .38, TAPTITE II, HEX WSHR SLTD S	3.000 EA
34CB4517	CB LID 4 MTG HOLES .22 DIA STAMPED, FOR	1.000 EA

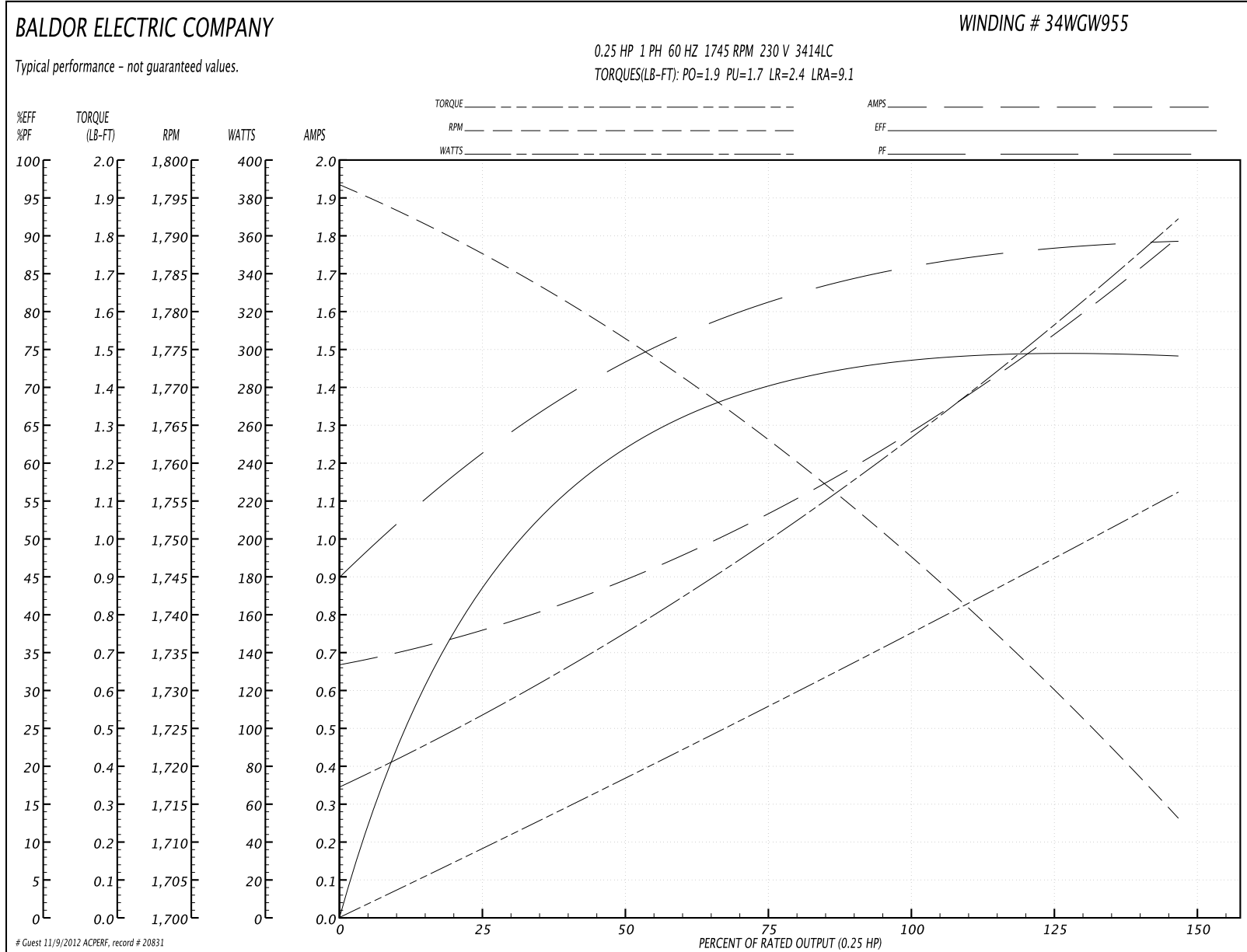
Parts List (continued)		
Part Number	Description	Quantity
34GS1031A01	GASKET, FLAT CONDUIT BOX LID (LEXIDE)	1.000 EA
51XW0832A07	8-32 X .44, TAPTITE II, HEX WSHR SLTD SE	4.000 EA
10XF0440S02	04-40 X 1/8 TYPE F HEX HD STAINLESS STIC	2.000 EA
SP5056A18	MODEL 34 TYPE LC STATIONARY SWITCH WITH	1.000 EA
HA3100A44	THRUBOLT 10-32 X 8.000	4.000 EA
MG1000Y03	WILKO 689.710 GOLD PAINT SUPER E	0.014 GA
LB1357	ENERGY GUIDE LABEL (BOX LABEL)	1.000 SH
LB5040	INSTRUCTION TAG, AC & DC	1.000 EA
LB1125C02	SUPER-E (STOCK CTN LABEL SUPER-E WITH FL	1.000 EA
LC0001A01	CONN LABEL / WARNING LABEL (LC0001 / LB1	1.000 EA
NP2116L	ALUM SUPER-E UL CSA CC	1.000 EA
34PA1005	PACKING GROUP, BALDOR	1.000 EA

Accessories		
Part Number	Description	Multiplier
34-3900T	C-FACE KIT	A8

**Performance Data at 230V, 60Hz, 0.25HP (Typical performance - Not guaranteed values)**

General Characteristics							
Full Load Torque:	0.75 LB-FT			Start Configuration:	DOL		
No-Load Current:	0.7 Amps			Break-Down Torque:	1.9 LB-FT		
Line-line Res. @ 25°C.:	10.04 Ohms A Ph / 7.87 Ohms B Ph			Pull-Up Torque:	1.7 LB-FT		
Temp. Rise @ Rated Load:	27 C			Locked-Rotor Torque:	2.4 LB-FT		
Temp. Rise @ S.F. Load:	34 C			Starting Current:	9.1 Amps		
Load Characteristics							
% of Rated Load	25	50	75	100	125	150	S.F.
Power Factor:	64.0	77.0	83.0	87.0	89.0	91.0	90.0
Efficiency:	45.7	62.4	69.5	73.5	74.7	74.2	75.2
Speed:	1786.0	1775.0	1763.0	1749.0	1732.0	1712.0	1725.0
Line Amperes:	0.7	0.9	1.1	1.3	1.5	1.8	1.6

Performance Graph at 230V, 60Hz, 0.25HP Typical performance - Not guaranteed values



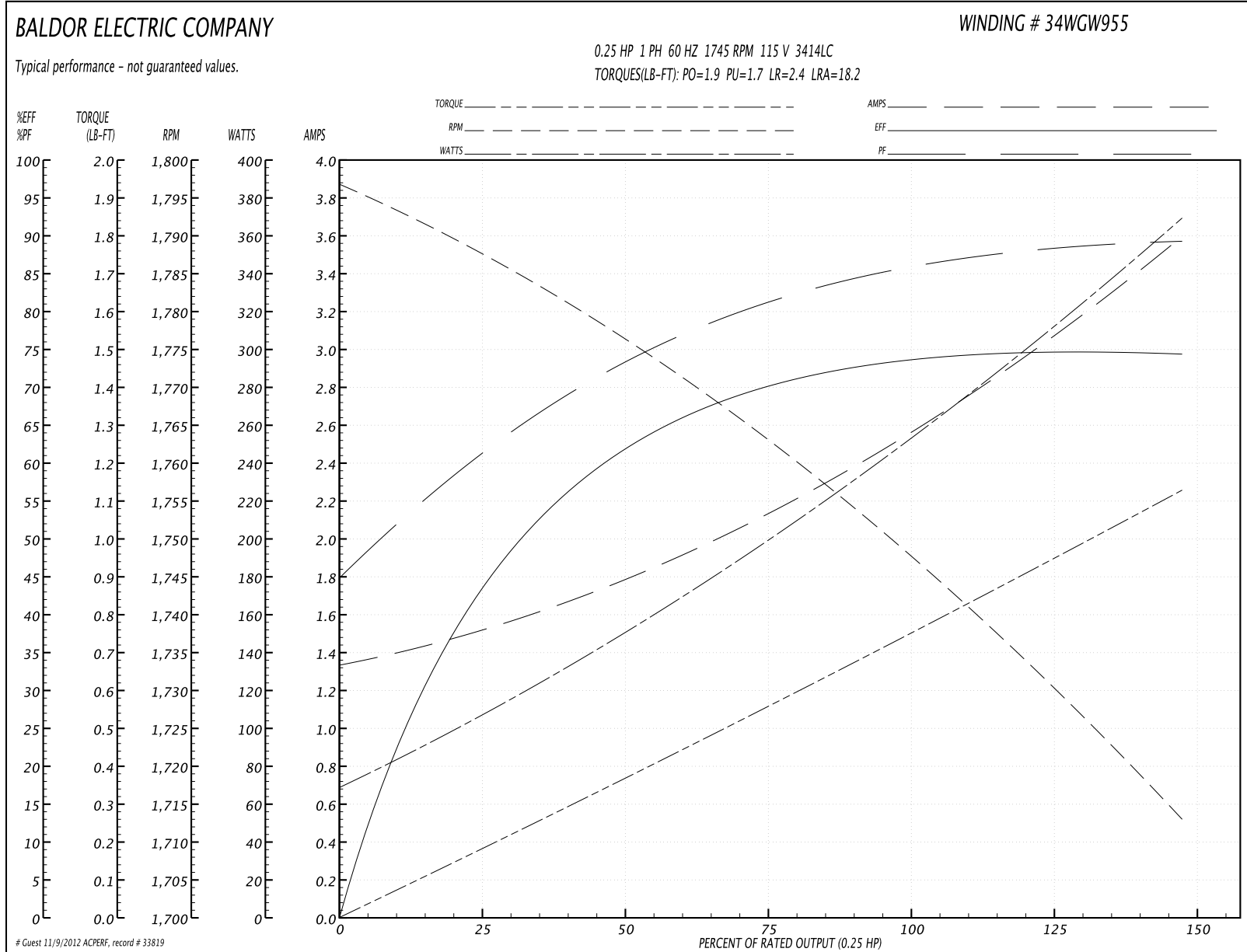
**Performance Data at 115V, 60Hz, 0.25HP (Typical performance - Not guaranteed values)**

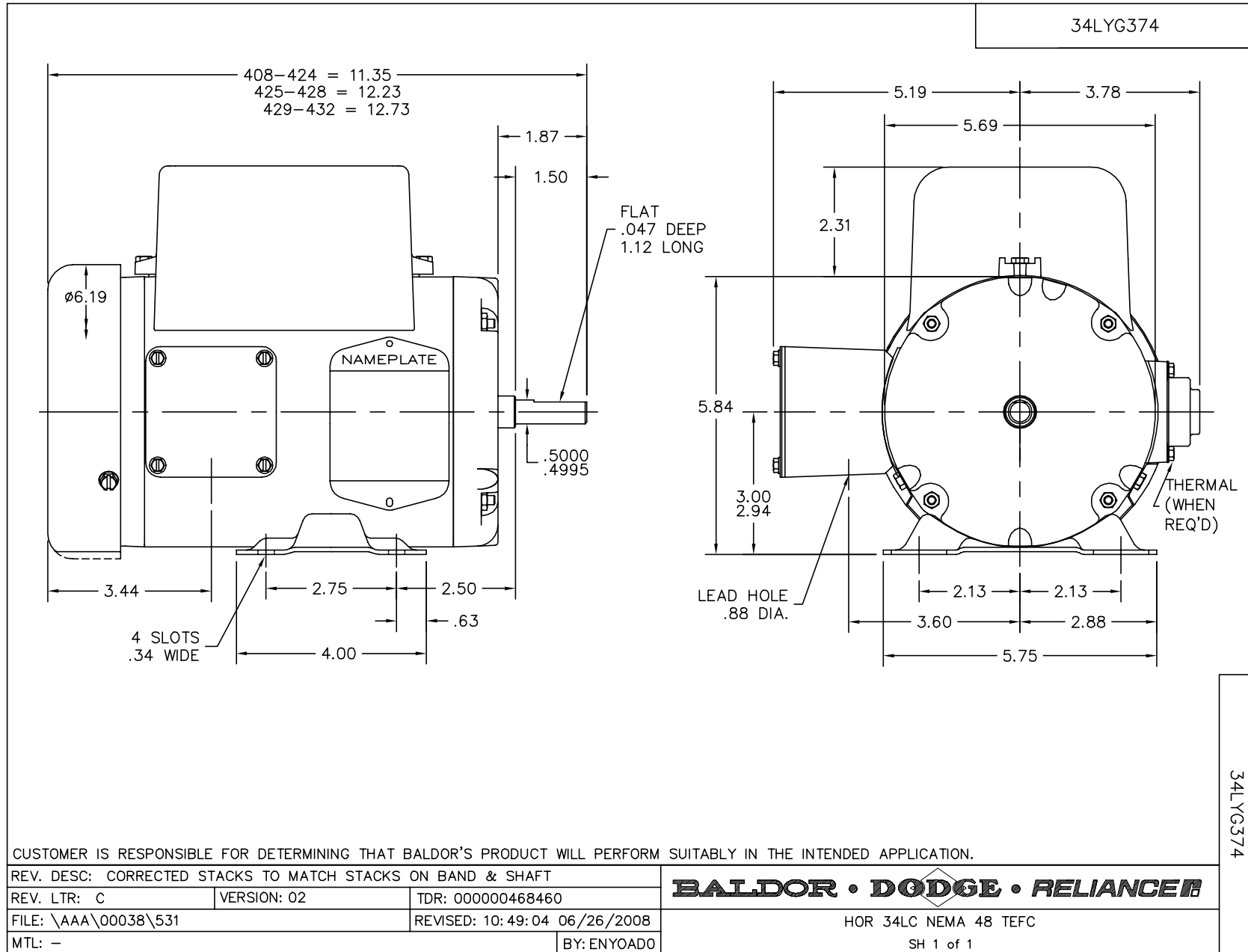
General Characteristics			
Full Load Torque:	0.75 LB-FT	Start Configuration:	DOL
No-Load Current:	1.4 Amps	Break-Down Torque:	1.9 LB-FT
Line-line Res. @ 25°C.:	2.37 Ohms A Ph / 8.32 Ohms B Ph	Pull-Up Torque:	1.7 LB-FT
Temp. Rise @ Rated Load:	27 C	Locked-Rotor Torque:	2.4 LB-FT
Temp. Rise @ S.F. Load:	33 C	Starting Current:	18.2 Amps

Load Characteristics							
% of Rated Load	25	50	75	100	125	150	S.F.
Power Factor:	65.0	73.0	80.0	85.0	90.0	89.0	90.0
Efficiency:	45.9	62.2	69.5	73.6	74.7	74.5	74.6
Speed:	1786.0	1775.0	1763.0	1749.0	1732.0	1712.0	1724.0
Line Amperes:	1.4	1.8	2.2	2.6	3.0	3.6	3.24

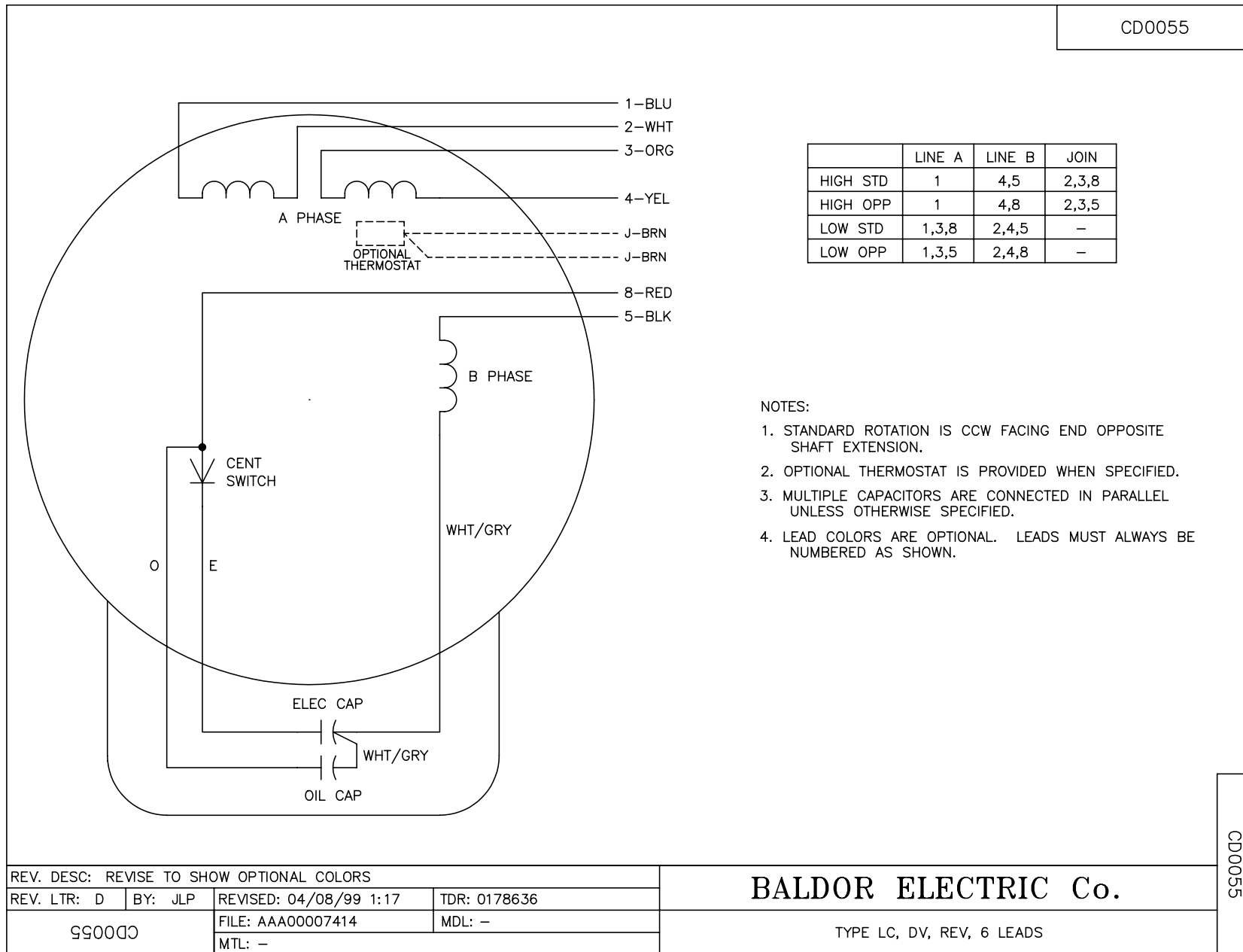


Performance Graph at 115V, 60Hz, 0.25HP Typical performance - Not guaranteed values





CD0055



REV. DESC: REVISE TO SHOW OPTIONAL COLORS			
REV. LTR: D	BY: JLP	REVISED: 04/08/99 1:17	TDR: 0178636
990055		FILE: AAA00007414	MDL: -
		MTL: -	

**BALDOR ELECTRIC Co.**

TYPE LC, DV, REV, 6 LEADS

CD0055