

BALDOR® • RELIANCE

Product Information Packet

EL3514T

1.5HP, 1760RPM, 1PH, 60HZ, 145T, 3540LC, TEFC

Copyright © All product information within this document is subject to Baldor Electric Company copyright © protection, unless otherwise noted.

Part Detail							
Revision:	D	Status:	PRD/A	Change #:		Proprietary:	No
Type:	AC	Prod. Type:	3540LC	Elec. Spec:	35WGS759	CD Diagram:	
Enclosure:	TEFC	Mfg Plant:		Mech. Spec:	35EE001	Layout:	
Frame:	145T	Mounting:	F1	Poles:	04	Created Date:	12-22-2009
Base:	RG	Rotation:	R	Insulation:	F	Eff. Date:	01-10-2012
Leads:	6#18	Literature:		Elec. Diagram:		Replaced By:	

Nameplate NP2116L							
CAT.NO.	EL3514T						
SPEC.	35EE001S759G1						
HP	1.5						
VOLTS	115/230						
AMP	12.6/6.3						
RPM	1760						
FRAME	145T	HZ	60	PH	1		
SER.F.	1.15	CODE	J	DES	L	CL	F
NEMA-NOM-EFF	84	PF	94				
RATING	40C AMB-CONT						
CC				USABLE AT 208V			
DE	6205	ODE	6203				
ENCL	TEFC	SN					
	SFA 14.4/7.2						

Parts List		
Part Number	Description	Quantity
SA189067	SA 35EE001S759G1	1.000 EA
RA176786	RA 35EE001S759G1	1.000 EA
OC3040F09SP	CYL OIL CAP 40MFD/370V	1.000 EA
EC1645A06SP	ELEC CAP, 645-774 MFD, 125V, 2.06D X 4.	1.000 EA
NS2512A01	INSULATOR, CONDUIT BOX X	1.000 EA
35CB3009	35 CB CASTING W/1.09 DIA. LEAD HOLE @ 6:	1.000 EA
36GS1000SP	GASKET-CONDUIT BOX, .06 THICK #SV-330 LE	1.000 EA
51XB1016A07	10-16 X 7/16 HXWSSLD SERTYB	2.000 EA
11XW1032G06	10-32 X .38, TAPTITE II, HEX WSHR SLTD U	1.000 EA
35EP3100M01	FREP TEFC 203 BRG W/GRSR (RAISED FH PADS	1.000 EA
HW4500A01	1641B(ALEMITE)400 UNIV, GREASE FITT	1.000 EA
51XW0832A07	8-32 X .44, TAPTITE II, HEX WSHR SLTD SE	2.000 EA
35CB3801SP	CAPACITOR COVER, CAST	1.000 EA
34GS3002	GASKET, CAPACITOR BOX	1.000 EA
HA7010	CAPACITOR RETENTION CLAMP	1.000 EA
NS2501A02	INSULATOR, CAPACITOR BOX	1.000 EA
51XB1016A08	10-16X 1/2HXWSSLD SERTYB	2.000 EA
HW5100A03SP	WAVY WASHER (W1543-017)	1.000 EA
35EP3101A01SP	STD PU EP-ENCLOSED-205 BRG-W/GREASER	1.000 EA
HW4500A01	1641B(ALEMITE)400 UNIV, GREASE FITT	1.000 EA
XY1032A02	10-32 HEX NUT DIRECTIONAL SERRATION	4.000 EA
51XB1214A16	12-14X1.00 HXWSSLD SERTYB	1.000 EA
35FH4005A84SP	IEC FH W/GRSR, NO DIMPLES W/AUTOPHERETIC	1.000 EA
51XW1032A06	10-32 X .38, TAPTITE II, HEX WSHR SLTD S	3.000 EA

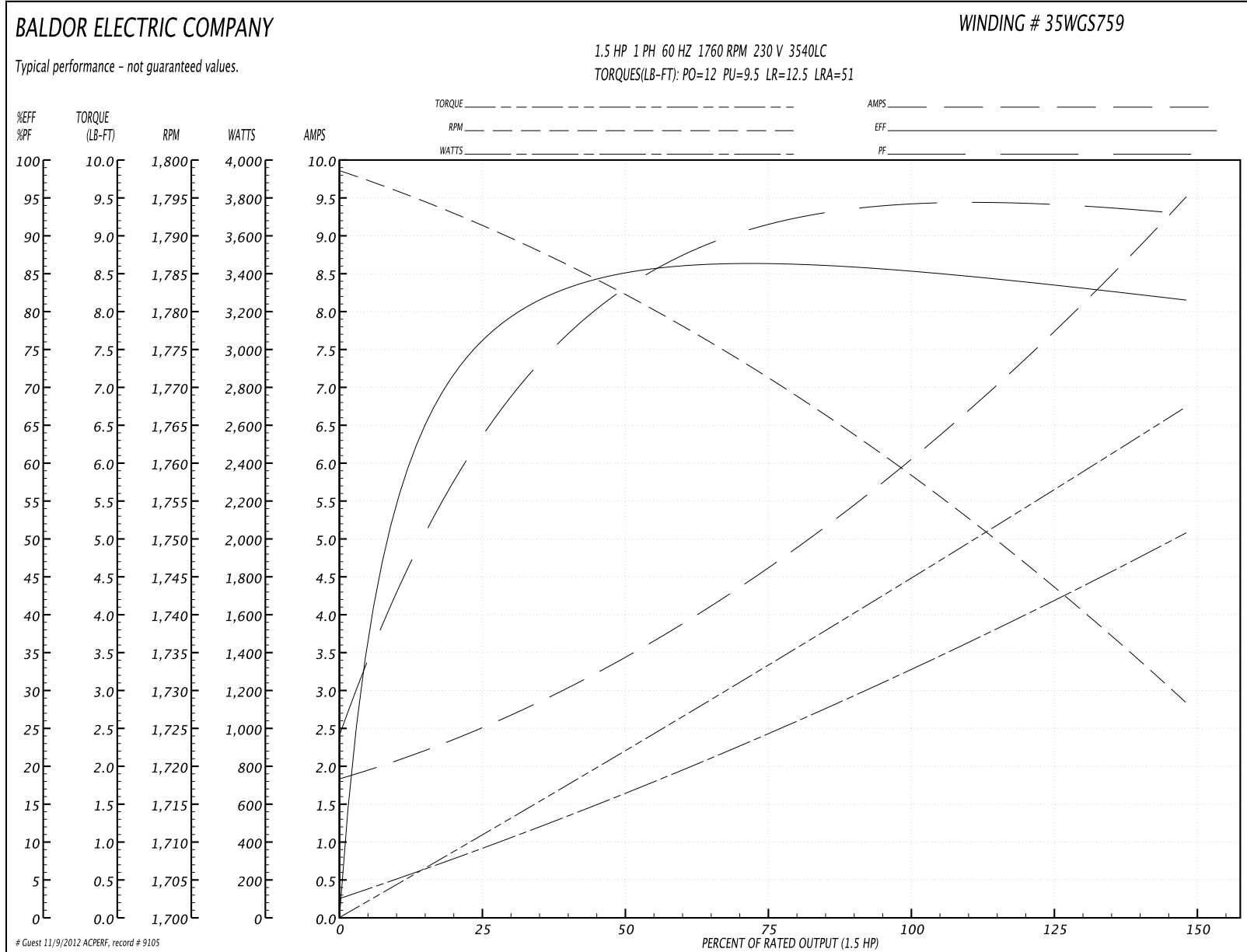
Parts List (continued)		
Part Number	Description	Quantity
35CB4521GX	CONDUIT BOX LID KIT	1.000 EA
51XW0832A07	8-32 X .44, TAPTITE II, HEX WSHR SLTD SE	4.000 EA
HW2501D13SP	KEY, 3/16 SQ X 1.375	1.000 EA
HA7000A01	KEY RETAINER 7/8" DIA SHAFT	1.000 EA
85XU0407S04	4X1/4 U DRIVE PIN STAINLESS	2.000 EA
MJ1000A75	GREASE, POLYREX EM EXXON	0.050 LB
MG1000Y03	WILKO 689.710 GOLD PAINT SUPER E	0.017 GA
WD1000A15	3-520132-2 AMP FLAG (4M/RL NON-CANC/NON-	4.000 EA
35FN3002A05SP	EXFN, PLASTIC, 6.376 OD, .638 ID	1.000 EA
HA3100A26	THRUBOLT 10-32 X 11.500	4.000 EA
SP5181A01	MODEL 35 LC TORQ STAT SWITCH LEAD ASSY	1.000 EA
LB1125C02	SUPER-E (STOCK CTN LABEL SUPER-E WITH FL	1.000 EA
LC0001A01	CONN LABEL / WARNING LABEL (LC0001 / LB1	1.000 EA
NP2116L	ALUM SUPER-E UL CSA CC	1.000 EA
36PA1000	PACK GROUP W/LB5001	1.000 EA
LB1357	ENERGY GUIDE LABEL (BOX LABEL)	1.000 SH

Accessories		
Part Number	Description	Multiplier
35-8762	C FACE KIT	A8
35EP1506A01SP	D-FLANGE KIT	A8

Performance Data at 230V, 60Hz, 1.5HP (Typical performance - Not guaranteed values)

General Characteristics							
Full Load Torque:	4.5 LB-FT			Start Configuration:	DOL		
No-Load Current:	1.9 Amps			Break-Down Torque:	12.0 LB-FT		
Line-line Res. @ 25°C.:	1.6 Ohms A Ph / 1.26 Ohms B Ph			Pull-Up Torque:	9.5 LB-FT		
Temp. Rise @ Rated Load:	48 C			Locked-Rotor Torque:	12.5 LB-FT		
Temp. Rise @ S.F. Load:	62 C			Starting Current:	51.0 Amps		
Load Characteristics							
% of Rated Load	25	50	75	100	125	150	S.F.
Power Factor:	71.0	85.0	92.0	94.0	95.0	95.0	95.0
Efficiency:	72.9	84.4	86.2	86.2	84.1	81.0	84.9
Speed:	1791.0	1781.0	1771.0	1759.0	1744.0	1728.0	1750.0
Line Amperes:	2.4	3.5	4.7	6.1	7.7	9.5	7.2

Performance Graph at 230V, 60Hz, 1.5HP Typical performance - Not guaranteed values

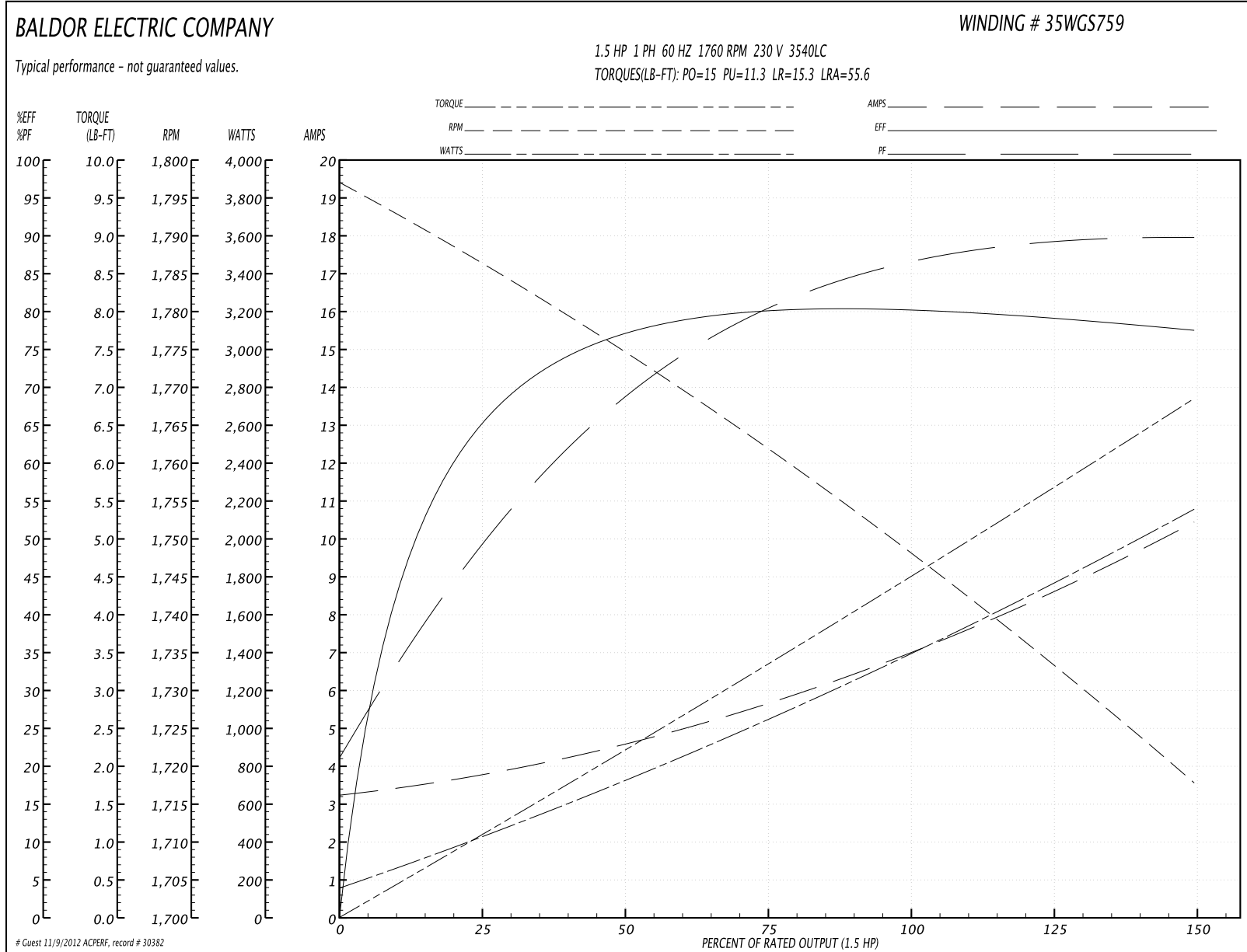


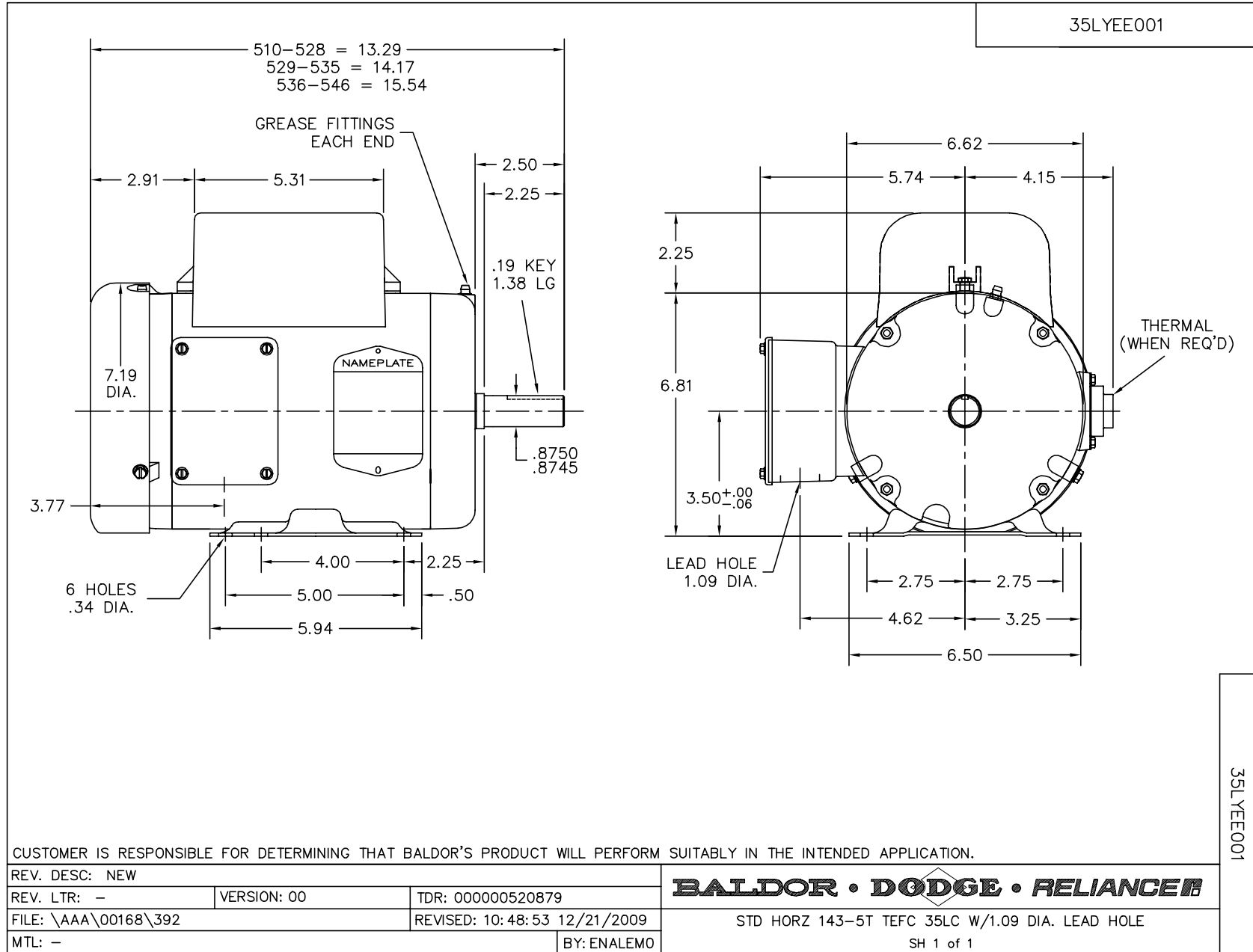
Performance Data at 230V, 60Hz, 1.5HP (Typical performance - Not guaranteed values)

General Characteristics			
Full Load Torque:	4.45 LB-FT	Start Configuration:	DOL
No-Load Current:	3.31 Amps	Break-Down Torque:	15.0 LB-FT
Line-line Res. @ 25°C.:	1.5114 Ohms A Ph / 1.2489 Ohms B Ph	Pull-Up Torque:	11.3 LB-FT
Temp. Rise @ Rated Load:	53 C	Locked-Rotor Torque:	15.3 LB-FT
Temp. Rise @ S.F. Load:	64 C	Starting Current:	55.6 Amps

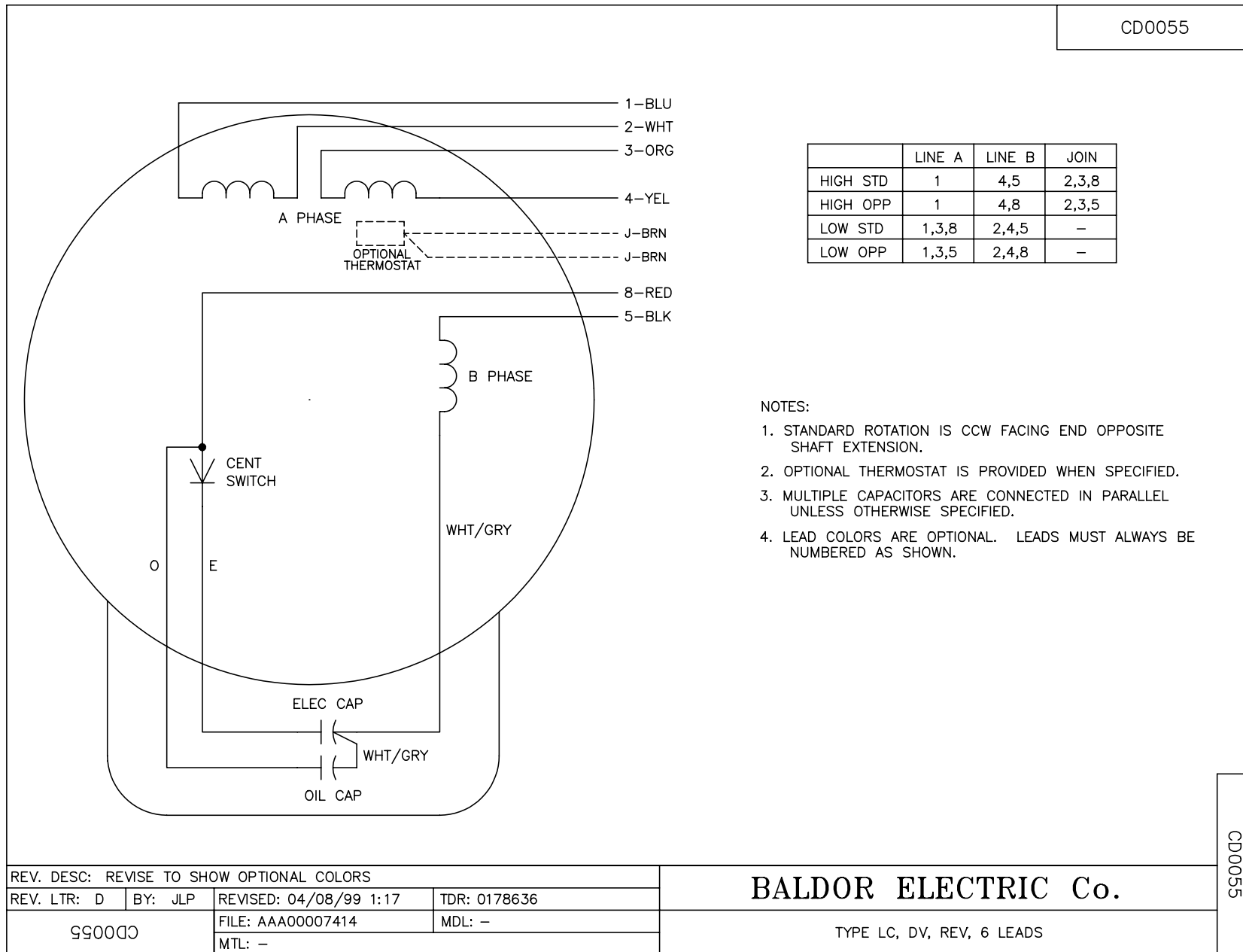
Load Characteristics							
% of Rated Load	25	50	75	100	125	150	S.F.
Power Factor:	52.0	69.0	80.0	85.0	89.0	90.0	87.0
Efficiency:	64.3	76.1	80.0	80.8	79.4	77.3	80.0
Speed:	1783.8	1773.9	1763.0	1750.3	1735.3	1716.3	1741.0
Line Amperes:	3.69	4.5	5.62	6.99	8.58	10.4	7.94

Performance Graph at 230V, 60Hz, 1.5HP Typical performance - Not guaranteed values





CD0055



REV. DESC: REVISE TO SHOW OPTIONAL COLORS			
REV. LTR: D	BY: JLP	REVISED: 04/08/99 1:17	TDR: 0178636
990055		FILE: AAA00007414	MDL: -
		MTL: -	

BALDOR ELECTRIC Co.

TYPE LC, DV, REV, 6 LEADS

CD0055