

# **BALDOR® • RELIANCE**

**Product Information Packet**

**WALKER INDUSTRIAL PRODUCTS, INC.**

**EM2333T-58**

**15HP, 1450RPM, 3PH, 50HZ, 254T, 0948M, TEFC, F1**

| Part Detail |      |                |       |             |          |               |            |
|-------------|------|----------------|-------|-------------|----------|---------------|------------|
| Revision:   | -    | Status:        | PRD/A | Change #:   |          | Proprietary:  | No         |
| Type:       | AC   | Prod. Type:    | 0948M | Elec. Spec: | 09WGZ837 | CD Diagram:   | CD0382     |
| Enclosure:  | TEFC | Mfg Plant:     |       | Mech. Spec: | 09F103   | Layout:       | 09LYF103   |
| Frame:      | 254T | Mounting:      | F1    | Poles:      | 04       | Created Date: | 04-03-2015 |
| Base:       | RG   | Rotation:      | R     | Insulation: | F        | Eff. Date:    | 04-18-2015 |
| Leads:      | 6#12 |                |       |             |          | Replaced By:  |            |
| Literature: |      | Elec. Diagram: |       |             |          |               |            |

| Nameplate NP2716L |                        |                |      |      |    |    |   |
|-------------------|------------------------|----------------|------|------|----|----|---|
| CAT NO            | EM2333T-58             |                |      |      |    |    |   |
| SPEC.             | 09F103Z837G1           |                |      |      |    |    |   |
| HP                | 15                     | PH             | 3    |      |    |    |   |
| VOLTS             | 400                    |                |      |      |    |    |   |
| AMP               | 21                     |                |      |      |    |    |   |
| RPM               | 1450                   |                |      |      |    |    |   |
| FRAME             | 254T                   | HZ             | 50   | I.P. | 54 |    |   |
| SER.F.            | 1.15                   | CODE           | H    | DES  | B  | CL | F |
| NOM.EFF.          | 91.4                   | % (100%)       |      |      |    |    |   |
| PF                | 81                     | USABLE AT 208V |      |      |    |    |   |
| RATING            | 40C AMB-CONT           | CC             |      |      |    |    |   |
| DE BRG            | 6309                   | ODE            | 6208 |      |    |    |   |
| ENCL              | TEFC                   | SN             |      |      |    |    |   |
| BLANK             | IE3-92.1(75%)91.3(50%) |                |      |      |    |    |   |
|                   |                        |                |      |      |    |    |   |
|                   |                        |                |      |      |    |    |   |

**AC Induction Motor Performance Data**

Record # 49902 - Typical performance - not guaranteed values

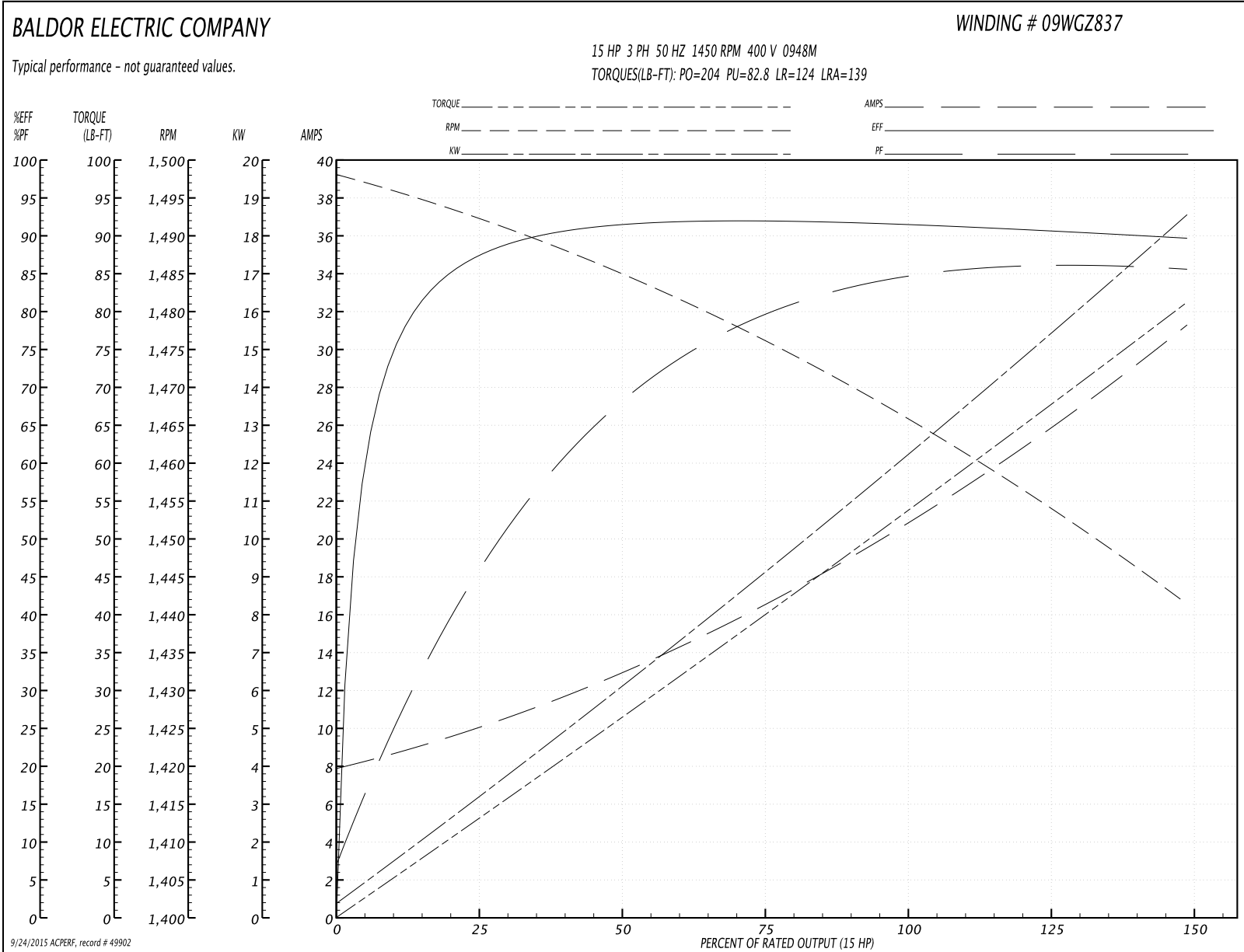
|                              |                    |                        |
|------------------------------|--------------------|------------------------|
| <b>Winding:</b> 09WZ837-R003 | <b>Type:</b> 0948M | <b>Enclosure:</b> TEFC |
|------------------------------|--------------------|------------------------|

| Nameplate Data        |              |              |    | 400 V, 50 Hz:<br>Single Voltage Motor |                        |
|-----------------------|--------------|--------------|----|---------------------------------------|------------------------|
| Rated Output (HP)     | 15           |              |    | Full Load Torque                      | 54 LB-FT               |
| Volts                 | 400          |              |    | Start Configuration                   | direct on line         |
| Full Load Amps        | 21           |              |    | Breakdown Torque                      | 204 LB-FT              |
| R.P.M.                | 1450         |              |    | Pull-up Torque                        | 82.8 LB-FT             |
| Hz                    | 50           | Phase        | 3  | Locked-rotor Torque                   | 124 LB-FT              |
| NEMA Design Code      | B            | KVA Code     | H  | Starting Current                      | 139 A                  |
| Service Factor (S.F.) | 1.15         |              |    | No-load Current                       | 8.2 A                  |
| NEMA Nom. Eff.        | 91.4         | Power Factor | 81 | Line-line Res. @ 25°C                 | 0.485 Ω                |
| Rating - Duty         | 40C AMB-CONT |              |    | Temp. Rise @ Rated Load               | 59°C                   |
| S.F. Amps             |              |              |    | Temp. Rise @ S.F. Load                | 73°C                   |
|                       |              |              |    | Rotor inertia                         | 2.1 LB-FT <sup>2</sup> |

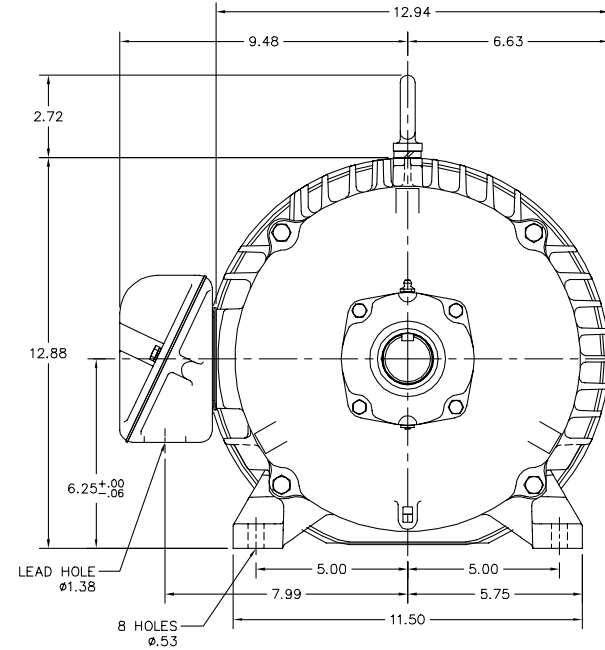
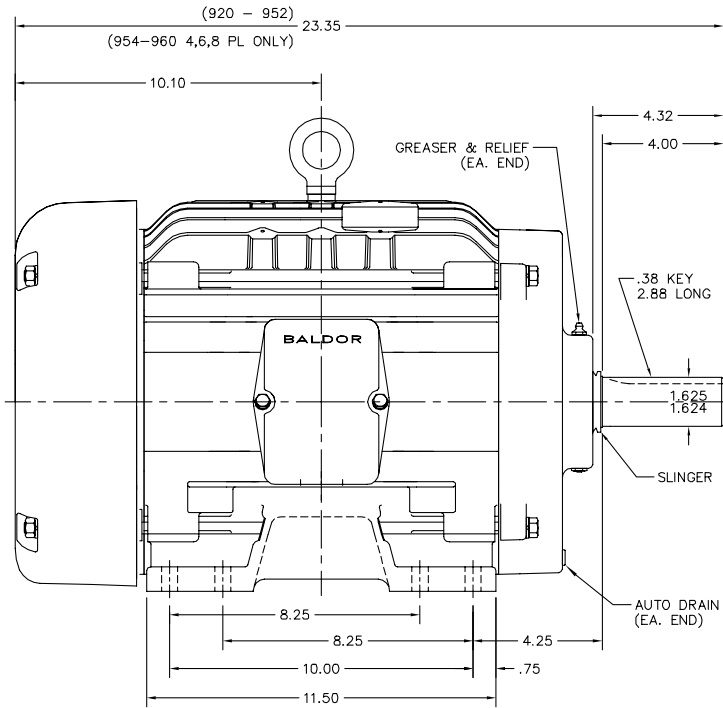
**Load Characteristics 400 V, 50 Hz, 15 HP**

| % of Rated Load | 25   | 50   | 75   | 100  | 125  | 150  | S.F. |
|-----------------|------|------|------|------|------|------|------|
| Power Factor    | 49   | 70   | 80   | 83   | 85   | 86   | 84   |
| Efficiency      | 87   | 91.3 | 92.1 | 91.9 | 90.5 | 89.7 | 91.1 |
| Speed           | 1491 | 1483 | 1477 | 1470 | 1449 | 1443 | 1457 |
| Line amperes    | 9.74 | 12.8 | 16.7 | 21.3 | 26   | 31   | 24.1 |

Performance Graph at 400V, 50Hz, 15.0HP Typical performance - Not guaranteed values



09LYF103



09LYF103

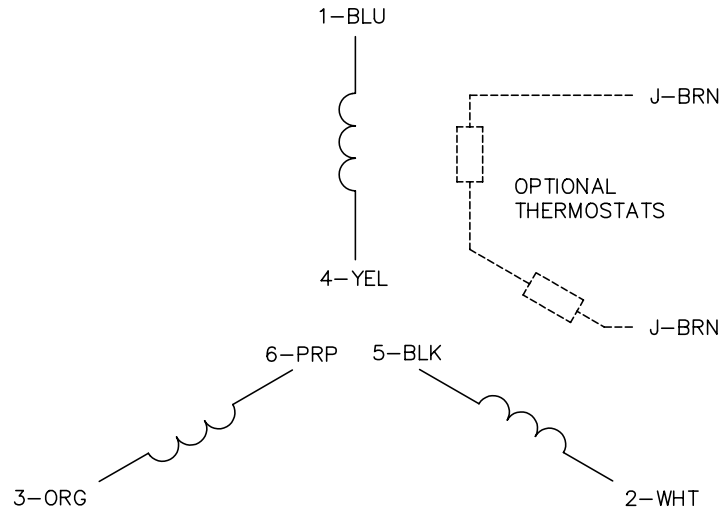
CUSTOMER IS RESPONSIBLE FOR DETERMINING THAT BALDOR'S PRODUCT WILL PERFORM SUITABLY IN THE INTENDED APPLICATION.

|                                 |                              |                   |
|---------------------------------|------------------------------|-------------------|
| REV. DESC: UPDATE DRAIN FITTING |                              |                   |
| REV. LTR: C                     | VERSION: 03                  | TDR: 000000857729 |
| FILE: \AAA\00059\364            | REVISED: 09:48:15 06/11/2014 | BY: ENNINDO       |
| MTL: -                          |                              |                   |

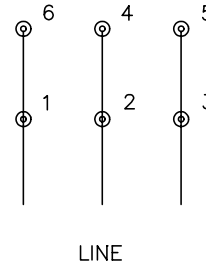
**BALDOR**

HORZ TEFC 254-6T W/C.I. FAN COVER  
SH 1 of 1

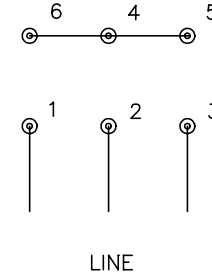
CD0382



RUN CONNECTION  
(1D)



START CONNECTION  
(1Y)



NOTES:

1. INTERCHANGE ANY TWO LINE LEADS TO REVERSE ROTATION.
2. OPTIONAL THERMOSTATS ARE PROVIDED WHEN SPECIFIED.
3. ACTUAL NUMBER OF INTERNAL PARALLEL CIRCUITS MAY BE A MULTIPLE OF THOSE SHOWN ABOVE.
4. LEAD COLORS ARE OPTIONAL. LEADS MUST ALWAYS BE NUMBERED AS SHOWN.
5. FOR ACROSS-THE-LINE STARTING, USE 'RUN' CONNECTION.

|  |         |                        |              |
|--|---------|------------------------|--------------|
| REV. DESC: ADD NOTE 5 FOR DOL STARTING |         |                        |              |
| REV. LTR: E                            | BY: JLP | REVISED: 11/30/00 2:26 | TDR: 0226155 |
| CD0382                                 |         | FILE: AAA00005243      | REF: -       |
|  |         | MTL: -                 |              |

**BALDOR ELECTRIC Co.**

3PH, SV, 6 LEADS, Y START/D RUN

CD0382