

BALDOR® • RELIANCE

Product Information Packet

EM2511T

10HP, 1180RPM, 3PH, 60HZ, 256T, 3954M, OPSB, F1

Copyright © All product information within this document is subject to Baldor Electric Company copyright © protection, unless otherwise noted.

Part Detail									
Revision:	X	Status:	PRD/A	Change #:		Proprietary:	No		
Type:	AC	Prod. Type:	3954M	Elec. Spec:	39WGW950	CD Diagram:			
Enclosure:	OPSB	Mfg Plant:		Mech. Spec:	39K57	Layout:			
Frame:	256T	Mounting:	F1	Poles:	06	Created Date:			
Base:	RG	Rotation:	R	Insulation:	F	Eff. Date:	05-22-2012		
Leads:	9#12	Literature:		Elec. Diagram:		Replaced By:			
Nameplate NP1259L									
CAT.NO.	EM2511T								
SPEC.	39K057W950								
HP	10								
VOLTS	230/460								
AMP	28.6/14.3								
RPM	1180								
FRAME	256T	HZ	60			PH	3		
SER.F.	1.15	CODE	J			DES	B	CL	F
NEMA-NOM-EFF	91.7	PF	71						
RATING	40C AMB-CONT								
CC	010A	USABLE AT 208V	30						
DE	6309	ODE	6208						
ENCL	OPSB	SN							

Parts List		
Part Number	Description	Quantity
SA039734	SA 39K057W950	1.000 EA
RA035653	RA 39K057W950	1.000 EA
S/P107-000-005	SUPER-E PROC'S(254/6 FR.) ZK PLANT - POL	1.000 EA
HA6361A01	LIFTING LUG FOR 37, 39 & 40 FRAME (AUTOP	2.000 EA
HA6016	ADAPTER, CAST CONDUIT BOX	1.000 EA
09CB3002SP	CB W/1.38 LEAD HOLE FOR 37, 39, 307 & 30	1.000 EA
51XW2520A12	.25-20 X .75, TAPTITE II, HEX WSHR SLTD	2.000 EA
HW1001A25	LOCKWASHER 1/4, ZINC PLT .493 OD, .255 I	2.000 EA
WD1000B17	KPA-8C BURNDY TERMINAL	1.000 EA
11XW1032G06	10-32 X .38, TAPTITE II, HEX WSHR SLTD U	1.000 EA
39EP3200A01SP	FR/PU ENDPLATE, MACH	1.000 EA
HW5100A08	W3118-035 WVY WSHR (WB)	1.000 EA
39EP3201A13	PU ENDPLATE, MACH	1.000 EA
XY3816A12	3/8-16 FINISHED NUT	8.000 EA
09CB3501SP	CONDUIT BOX LID FOR 09CB3001 & 09CB3002	1.000 EA
51XW2520A12	.25-20 X .75, TAPTITE II, HEX WSHR SLTD	2.000 EA
HW2501G25	KEY, 3/8 SQ X 2.875	1.000 EA
LB1115	LABEL,LIFTING DEVICE	1.000 EA
HA4051A00	PLASTIC CAP FOR GREASE FITTING	1.000 EA
HW4500A03	GREASE FITTING, .125 NPT 1610(ALEMITE) 8	1.000 EA
HW4500A20	1/8NPT SL PIPE PLUG	1.000 EA
MJ1000A75	GREASE, POLYREX EM EXXON	0.030 LB
HA4051A00	PLASTIC CAP FOR GREASE FITTING	1.000 EA
HW4500A03	GREASE FITTING, .125 NPT 1610(ALEMITE) 8	1.000 EA

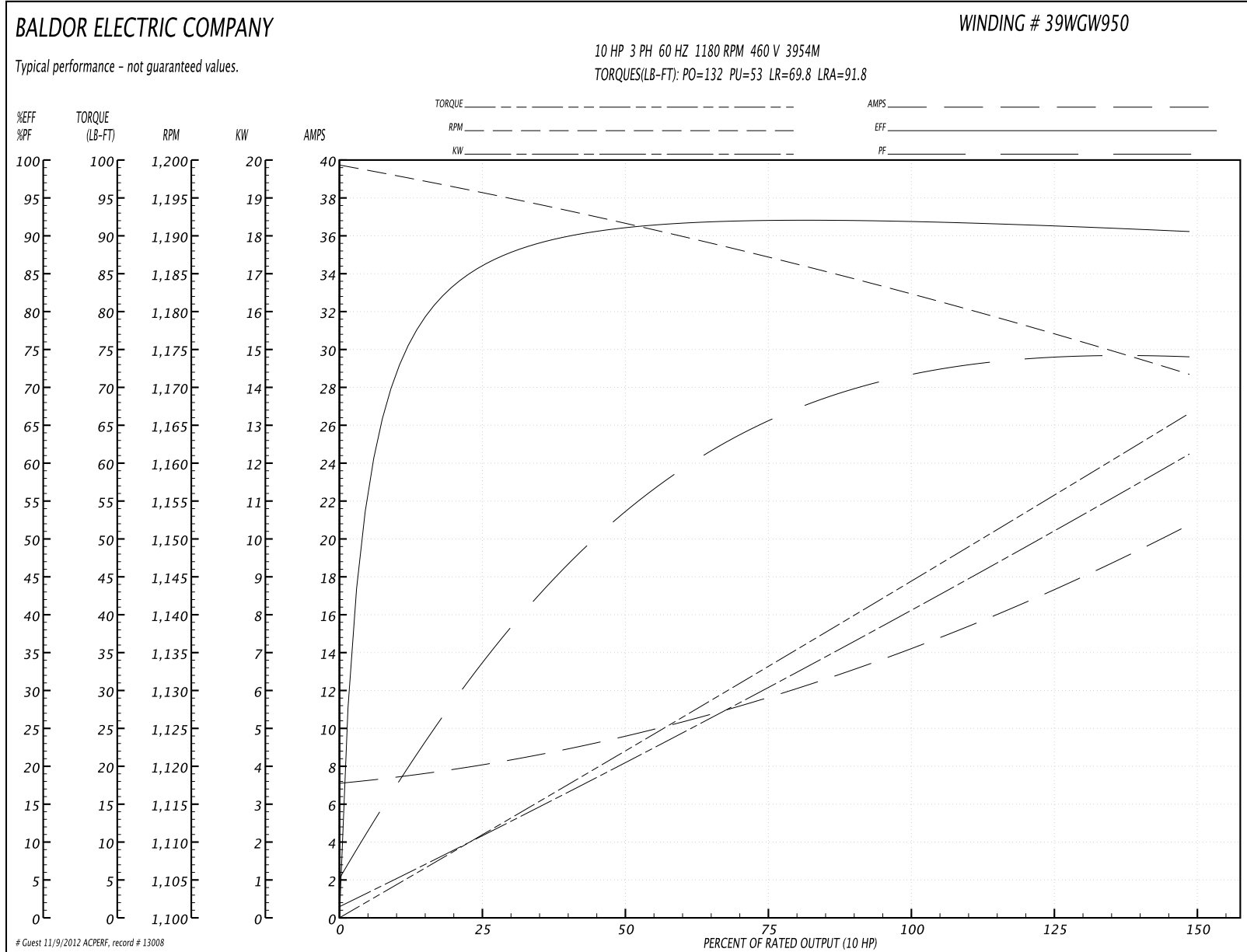
Parts List (continued)		
Part Number	Description	Quantity
HW4500A20	1/8NPT SL PIPE PLUG	1.000 EA
MG1000Y03	WILKO 689.710 GOLD PAINT SUPER E	0.050 GA
85XU0407A04	#4-7 X 1/4 DRIVE PIN	2.000 EA
39AD2002A01	BAFFLE PLATE 39 OPEN, SLOTTED BAND MTRS	1.000 EA
39AD2002A01	BAFFLE PLATE 39 OPEN, SLOTTED BAND MTRS	1.000 EA
HA3154A03	STUD, 3/8-16 X 17.75	4.000 EA
LB1119	WARNING LABEL	1.000 EA
LB1125C02	SUPER-E (STOCK CTN LABEL SUPER-E WITH FL	4.000 EA
LC0181	CONNECTION LABEL	1.000 EA
NP1259L	ALUM SUPER-E UL CSA-EEV CC NEMA PREMIUM	1.000 EA
39PA1000	PACKAGING GROUP 39 PRINT	1.000 EA
LB5040	INSTRUCTION TAG, AC & DC	1.000 EA
LB1357	ENERGY GUIDE LABEL (BOX LABEL)	2.000 SH

Accessories		
Part Number	Description	Multiplier
39-3400	C FACE KIT	A8

Performance Data at 460V, 60Hz, 10.0HP (Typical performance - Not guaranteed values)

General Characteristics							
Full Load Torque:	44.4 LB-FT			Start Configuration:	DOL		
No-Load Current:	7.16 Amps			Break-Down Torque:	132.0 LB-FT		
Line-line Res. @ 25°C.:	0.746 Ohms A Ph / 0.0 Ohms B Ph			Pull-Up Torque:	53.0 LB-FT		
Temp. Rise @ Rated Load:	22 C			Locked-Rotor Torque:	69.8 LB-FT		
Temp. Rise @ S.F. Load:	29 C			Starting Current:	91.8 Amps		
Load Characteristics							
% of Rated Load	25	50	75	100	125	150	S.F.
Power Factor:	34.0	54.0	65.0	71.0	74.0	75.0	73.0
Efficiency:	85.7	91.0	92.0	92.0	91.4	90.5	91.6
Speed:	1196.0	1192.0	1187.0	1182.0	1177.0	1172.0	1179.0
Line Amperes:	8.04	9.52	11.7	14.25	17.29	20.7	16.07

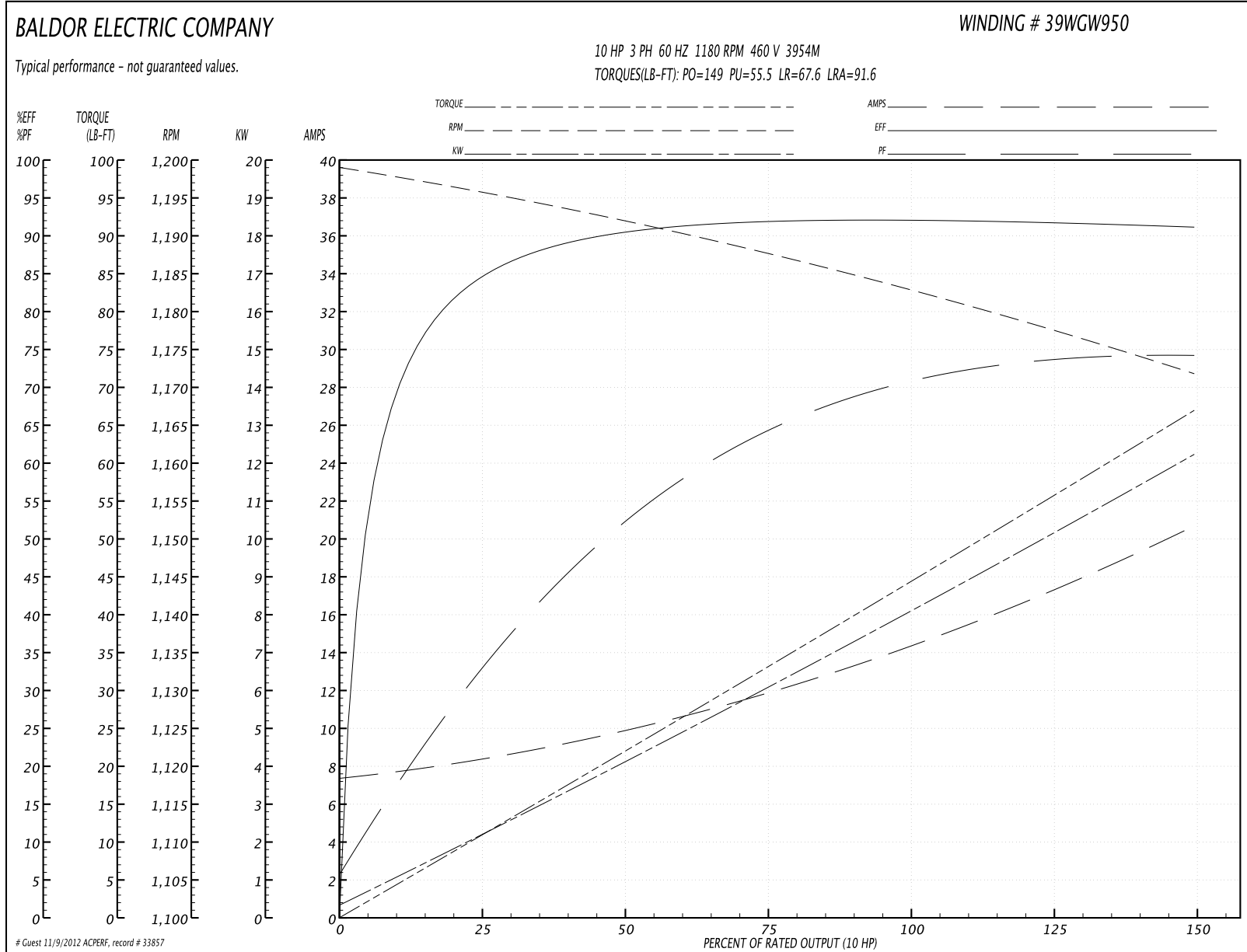
Performance Graph at 460V, 60Hz, 10.0HP Typical performance - Not guaranteed values



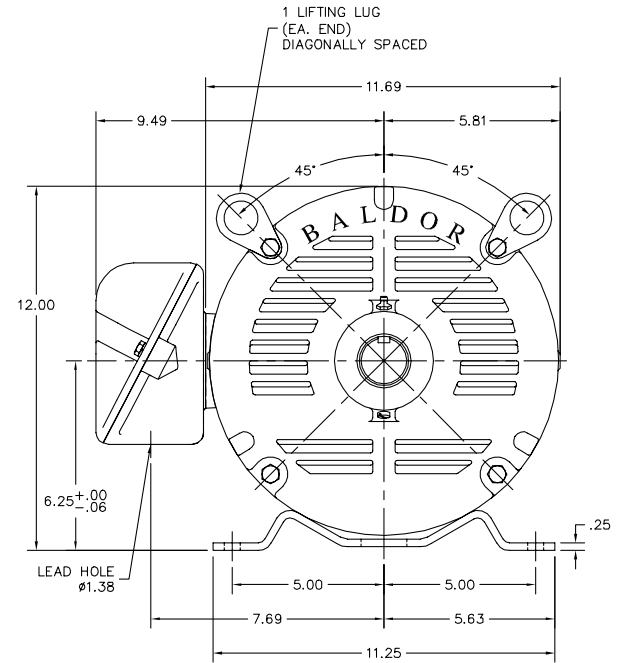
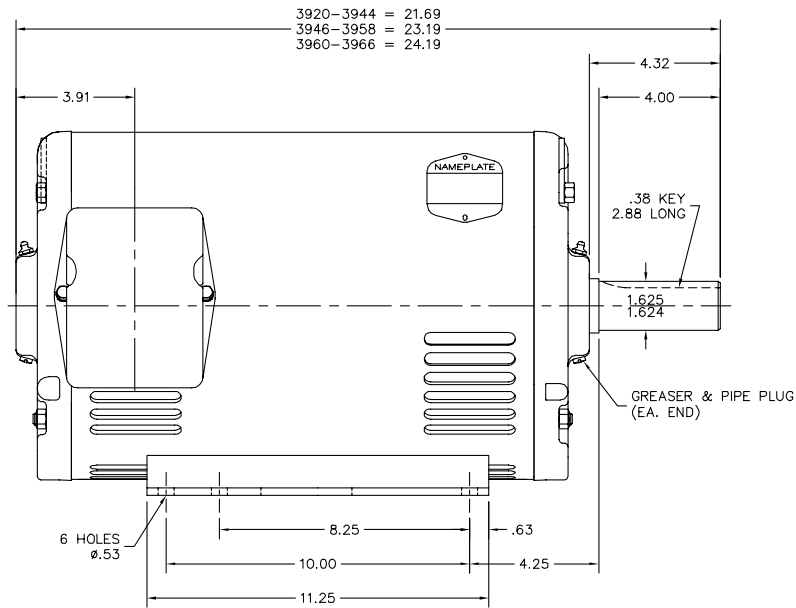
Performance Data at 460V, 60Hz, 10.0HP (Typical performance - Not guaranteed values)

General Characteristics							
Full Load Torque:	44.1 LB-FT			Start Configuration:	DOL		
No-Load Current:	7.51 Amps			Break-Down Torque:	149.0 LB-FT		
Line-line Res. @ 25°C.:	0.72568 Ohms A Ph / 0.0 Ohms B Ph			Pull-Up Torque:	55.5 LB-FT		
Temp. Rise @ Rated Load:	18 C			Locked-Rotor Torque:	67.6 LB-FT		
Temp. Rise @ S.F. Load:	22 C			Starting Current:	91.6 Amps		
Load Characteristics							
% of Rated Load	25	50	75	100	125	150	S.F.
Power Factor:	34.0	53.0	64.0	70.0	73.0	74.0	72.0
Efficiency:	84.5	90.2	91.8	92.1	91.8	91.1	91.9
Speed:	1195.9	1191.9	1187.8	1182.8	1177.7	1171.6	1180.0
Line Amperes:	8.2	9.72	11.9	14.4	17.5	20.6	16.3

Performance Graph at 460V, 60Hz, 10.0HP Typical performance - Not guaranteed values



39LYK057



39LYK057

CUSTOMER IS RESPONSIBLE FOR DETERMINING THAT BALDOR'S PRODUCT WILL PERFORM SUITABLY IN THE INTENDED APPLICATION.

REV. DESC: UPDATE STACK RANGE TO 66		
REV. LTR: G	VERSION: 05	TDR: 000000551239
FILE: \AAA\00049\866	REVISED: 10:10:12 07/29/2010	BY: ENGREHO
MTL: -		

BALDOR

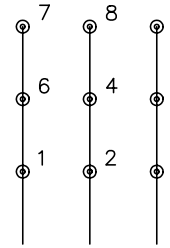
STD HORZ OPSB 254-6T SUPER-E

SH 1 of 1

CD0180

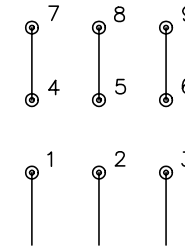


LOW VOLTAGE
(2D)



LINE

HIGH VOLTAGE
(1D)



LINE

NOTES:

1. INTERCHANGE ANY TWO LINE LEADS TO REVERSE ROTATION.
2. OPTIONAL THERMOSTATS ARE PROVIDED WHEN SPECIFIED.
3. ACTUAL NUMBER OF INTERNAL PARALLEL CIRCUITS MAY BE A MULTIPLE OF THOSE SHOWN ABOVE.
4. LEAD COLORS ARE OPTIONAL. LEADS MUST ALWAYS BE NUMBERED AS SHOWN.

REV. DESC: REVISE TO SHOW OPTIONAL COLORS			
REV. LTR: C	BY: JLP	REVISED: 01/21/99 2:28	TDR: 0171435
0810D0		FILE: AAA00005148	MDL: -
		MTL: -	

BALDOR ELECTRIC Co.

3PH, DV, 9 LEADS, DELTA CONNECTION

CD0180