

BALDOR® • **RELIANCE**

Product Information Packet

EM2513T-5

15HP, 1765RPM, 3PH, 60HZ, 254T, 3938M, OPSB, F1

Copyright © All product information within this document is subject to Baldor Electric Company copyright © protection, unless otherwise noted.

Part Detail							
Revision:	Y	Status:	PRD/A	Change #:		Proprietary:	No
Type:	AC	Prod. Type:	3938M	Elec. Spec:	39WGW946	CD Diagram:	
Enclosure:	OPSB	Mfg Plant:		Mech. Spec:	39K57	Layout:	
Frame:	254T	Mounting:	F1	Poles:	04	Created Date:	
Base:	RG	Rotation:	R	Insulation:	F	Eff. Date:	09-27-2011
Leads:	3#12	Literature:		Elec. Diagram:		Replaced By:	

Nameplate NP1259L										
CAT.NO.	EM2513T-5									
SPEC.	39K057W946									
HP	15									
VOLTS	575									
AMP	14.1									
RPM	1765									
FRAME	254T	HZ				60	PH	3		
SER.F.	1.15	CODE				G	DES	B	CL	F
NEMA-NOM-EFF	93	PF				86				
RATING	40C AMB-CONT									
CC	010A	USABLE AT 208V								
DE	6309	ODE				6208				
ENCL	OPSB	SN								

Parts List		
Part Number	Description	Quantity
SA039286	SA 39K057W946	1.000 EA
RA035252	RA 39K057W946	1.000 EA
S/P107-000-005	SUPER-E PROC'S(254/6 FR.) ZK PLANT - POL	1.000 EA
HA6361A01	LIFTING LUG FOR 37, 39 & 40 FRAME (AUTOP	2.000 EA
HA6016	ADAPTER, CAST CONDUIT BOX	1.000 EA
09CB3002SP	CB W/1.38 LEAD HOLE FOR 37, 39, 307 & 30	1.000 EA
51XW2520A12	.25-20 X .75, TAPTITE II, HEX WSHR SLTD	2.000 EA
HW1001A25	LOCKWASHER 1/4, ZINC PLT .493 OD, .255 I	2.000 EA
WD1000B17	KPA-8C BURNDY TERMINAL	1.000 EA
11XW1032G06	10-32 X .38, TAPTITE II, HEX WSHR SLTD U	1.000 EA
39EP3200A01SP	FR/PU ENDPLATE, MACH	1.000 EA
HW5100A08	W3118-035 WVY WSHR (WB)	1.000 EA
39EP3201A13	PU ENDPLATE, MACH	1.000 EA
XY3816A12	3/8-16 FINISHED NUT	8.000 EA
09CB3501SP	CONDUIT BOX LID FOR 09CB3001 & 09CB3002	1.000 EA
51XW2520A12	.25-20 X .75, TAPTITE II, HEX WSHR SLTD	2.000 EA
HW2501G25	KEY, 3/8 SQ X 2.875	1.000 EA
LB1115	LABEL,LIFTING DEVICE	1.000 EA
LB5040	INSTRUCTION TAG, AC & DC	1.000 EA
HA4051A00	PLASTIC CAP FOR GREASE FITTING	1.000 EA
HW4500A03	GREASE FITTING, .125 NPT 1610(ALEMITE) 8	1.000 EA
HW4500A20	1/8NPT SL PIPE PLUG	1.000 EA
MJ1000A75	GREASE, POLYREX EM EXXON	0.030 LB
HA4051A00	PLASTIC CAP FOR GREASE FITTING	1.000 EA

Parts List (continued)		
Part Number	Description	Quantity
HW4500A03	GREASE FITTING, .125 NPT 1610(ALEMITE) 8	1.000 EA
HW4500A20	1/8NPT SL PIPE PLUG	1.000 EA
MG1000Y03	WILKO 689.710 GOLD PAINT SUPER E	0.050 GA
85XU0407A04	#4-7 X 1/4 DRIVE PIN	2.000 EA
39AD2002A01	BAFFLE PLATE 39 OPEN, SLOTTED BAND MTRS	1.000 EA
39AD2002A01	BAFFLE PLATE 39 OPEN, SLOTTED BAND MTRS	1.000 EA
HA3154A09	TB STUD 3/8-16 X 16.25	4.000 EA
LB1357	ENERGY GUIDE LABEL (BOX LABEL)	2.000 SH
LB1119	WARNING LABEL	1.000 EA
LB1125C02	SUPER-E (STOCK CTN LABEL SUPER-E WITH FL	4.000 EA
LC0006	CONNECTION LABEL	1.000 EA
NP1259L	ALUM SUPER-E UL CSA-EEV CC NEMA PREMIUM	1.000 EA
39PA1000	PACKAGING GROUP 39 PRINT	1.000 EA

Accessories		
Part Number	Description	Multiplier
39-3400	C FACE KIT	A8

Performance Data at 575V, 60Hz, 15.0HP (Typical performance - Not guaranteed values)

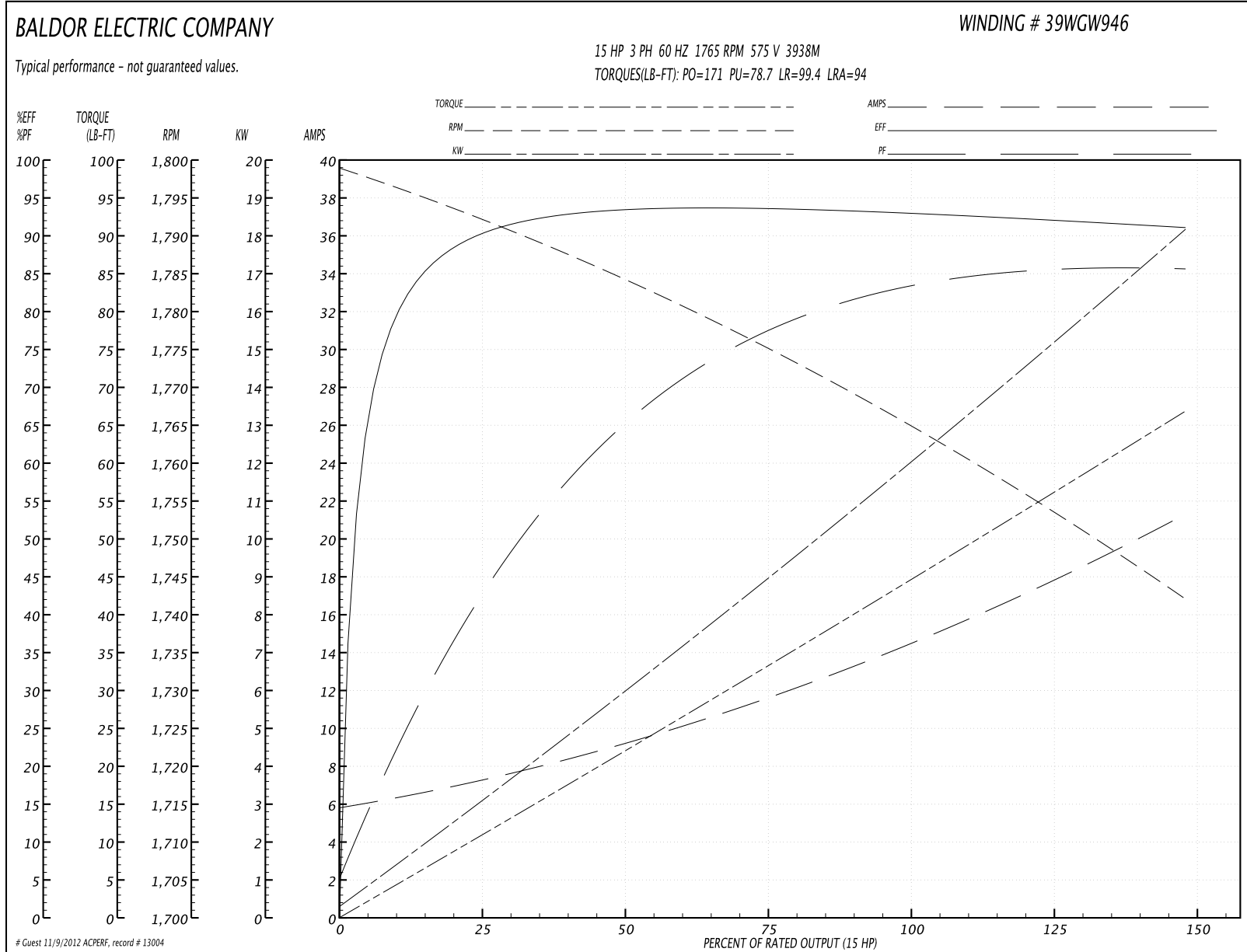
General Characteristics

Full Load Torque:	44.6 LB-FT	Start Configuration:	DOL
No-Load Current:	5.74 Amps	Break-Down Torque:	171.0 LB-FT
Line-line Res. @ 25°C.:	0.967 Ohms A Ph / 0.0 Ohms B Ph	Pull-Up Torque:	78.7 LB-FT
Temp. Rise @ Rated Load:	22 C	Locked-Rotor Torque:	99.4 LB-FT
Temp. Rise @ S.F. Load:	29 C	Starting Current:	94.0 Amps

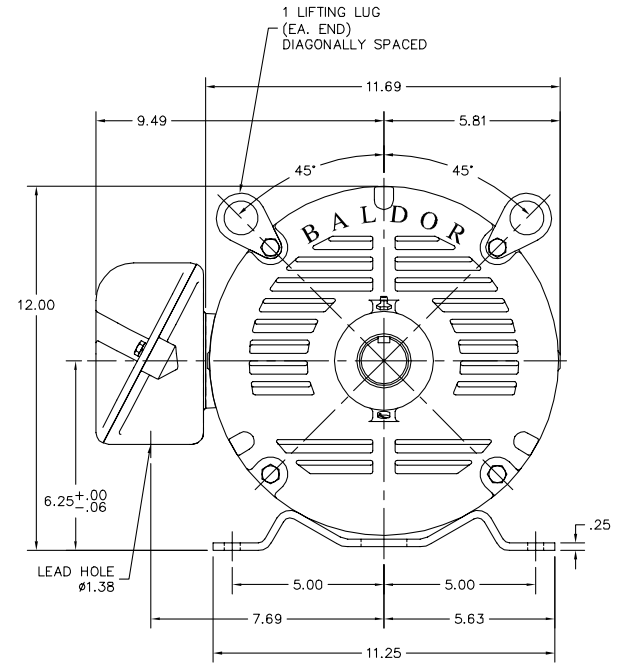
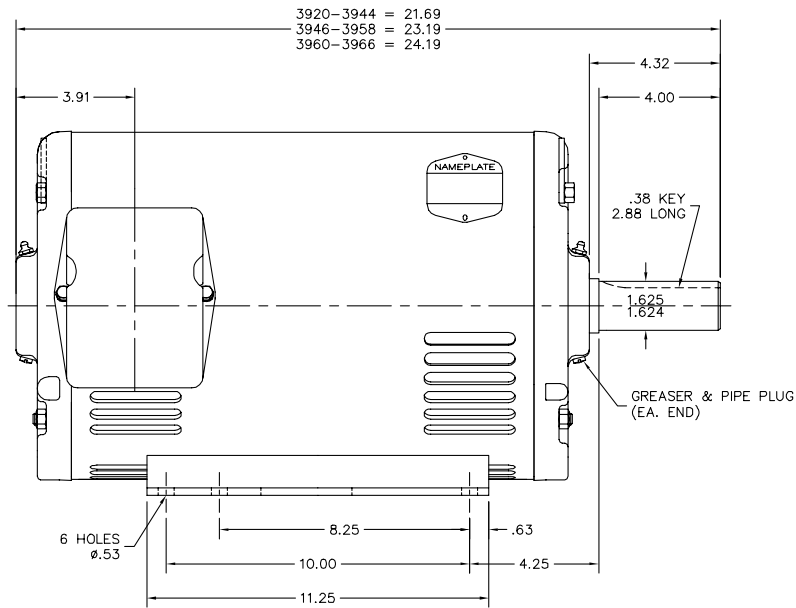
Load Characteristics

% of Rated Load	25	50	75	100	125	150	S.F.
Power Factor:	43.0	65.0	77.0	86.0	85.0	86.0	85.0
Efficiency:	90.1	93.3	93.5	93.1	92.2	91.0	92.6
Speed:	1792.0	1784.0	1775.0	1765.0	1754.0	1742.0	1759.0
Line Amperes:	7.37	9.3	11.8	14.1	17.9	21.3	16.38

Performance Graph at 575V, 60Hz, 15.0HP Typical performance - Not guaranteed values



39LYK057



39LYK057

CUSTOMER IS RESPONSIBLE FOR DETERMINING THAT BALDOR'S PRODUCT WILL PERFORM SUITABLY IN THE INTENDED APPLICATION.

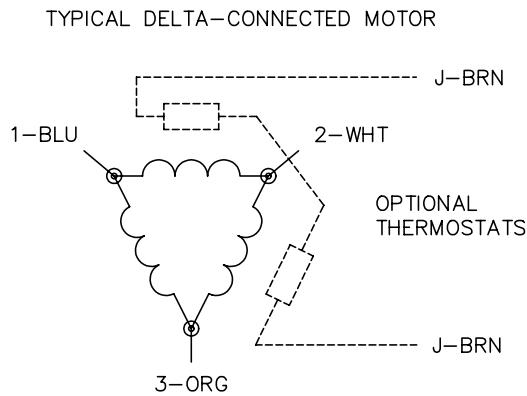
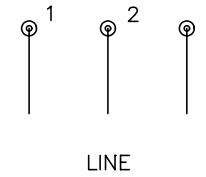
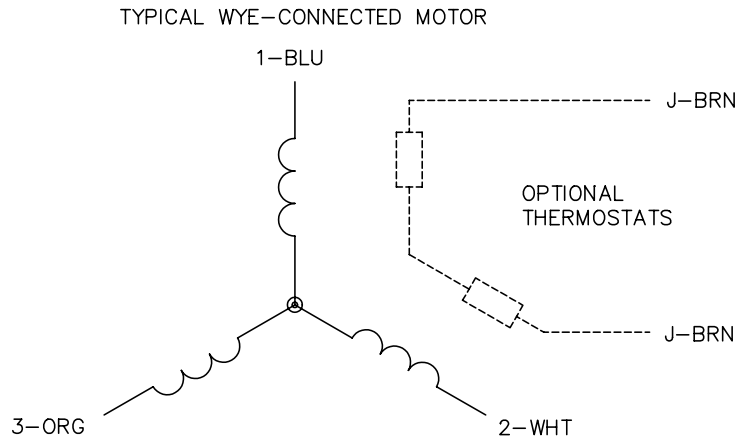
REV. DESC: UPDATE STACK RANGE TO 66		
REV. LTR: G	VERSION: 05	TDR: 000000551239
FILE: \AAA\00049\866	REVISED: 10:10:12 07/29/2010	BY: ENGREHO
MTL: -		

BALDOR

STD HORZ OPSB 254-6T SUPER-E

SH 1 of 1

CD0006



NOTES:

1. THREE LEAD MOTOR MAY BE EITHER WYE CONNECTED OR DELTA CONNECTED.
2. INTERCHANGE ANY TWO LINE LEADS TO REVERSE ROTATION.
3. OPTIONAL THERMOSTATS ARE PROVIDED WHEN SPECIFIED.
4. ACTUAL NUMBER OF INTERNAL PARALLEL CIRCUITS MAY VARY.
5. LEAD COLORS ARE OPTIONAL. LEADS MUST BE NUMBERED AS SHOWN.

REV. DESC: REVISE TO SHOW OPTIONAL COLORS			
REV. LTR: D	BY: JLP	REVISED: 01/21/99 4:02	TDR: 0171435
9000D		FILE: AAA00005141	MDL: -
		MTL: -	

BALDOR ELECTRIC Co.

3PH, SV, 3 LEADS, WYE OR DELTA CONNECTED

CD0006