

# **BALDOR**® • **RELIANCE**

## **Product Information Packet**

# **EM2513T-CI**

**15HP, 1765RPM, 3PH, 60HZ, 254T, 0936M, OPEN, F1**

Copyright © All product information within this document is subject to Baldor Electric Company copyright © protection, unless otherwise noted.

Part Detail							
Revision:	-	Status:	PRD/A	Change #:		Proprietary:	No
Type:	AC	Prod. Type:	0936M	Elec. Spec:	09WGZ565	CD Diagram:	
Enclosure:	OPEN	Mfg Plant:		Mech. Spec:	09B01	Layout:	
Frame:	254T	Mounting:	F1	Poles:	04	Created Date:	03-08-2010
Base:	RG	Rotation:	R	Insulation:	F	Eff. Date:	03-10-2010
Leads:	9#12	Literature:		Elec. Diagram:		Replaced By:	

**Nameplate NP1259L**

CAT.NO.	EM2513T-CI						
SPEC.	09B001Z565G1						
HP	15						
VOLTS	230/460						
AMP	35.6/17.8						
RPM	1765						
FRAME	254T	HZ	60	PH	3		
SER.F.	1.15	CODE	G	DES	B	CL	F
NEMA-NOM-EFF	93	PF	85				
RATING	40C AMB-CONT						
CC	010A	USABLE AT 208V	37.5				
DE	6309	ODE	6208				
ENCL	OPEN	SN					

Parts List		
Part Number	Description	Quantity
SA191940	SA 09B001Z565G1	1.000 EA
RA179595	RA 09B001Z565G1	1.000 EA
S/P107-000-005	SUPER-E PROC'S(254/6 FR.) ZK PLANT - POL	1.000 EA
09CB3000SP	CONDUIT BOX CAST	1.000 EA
10XN2520K12	1/4-20 X.75 GRD 5	2.000 EA
HW1001A25	LOCKWASHER 1/4, ZINC PLT .493 OD, .255 I	2.000 EA
WD1000B17	KPA-8C BURNDY TERMINAL	1.000 EA
11XW1032G06	10-32 X .38, TAPTITE II, HEX WSHR SLTD U	1.000 EA
09AD2000A01	AIR DEFLECTOR, 309 OPEN	1.000 EA
HW1001A08	WASHER, #8 SPLT LK, ZN	3.000 EA
09EP1200A01	FR ENDPLATE, MACH	1.000 EA
10XN3816K52	3/8-16 X 3-1/4 HEX HEAD CAP SCREW GRD 5	4.000 EA
HW1001A38	LOCKWASHER 3/8, ZINC PLT .688 OD, .382 I	4.000 EA
HW5100A08	W3118-035 WVY WSHR (WB)	1.000 EA
09EP1201A01	PU ENDPLATE, MACH	1.000 EA
09AD2000A01	AIR DEFLECTOR, 309 OPEN	1.000 EA
HW1001A08	WASHER, #8 SPLT LK, ZN	1.000 EA
10XN3816K52	3/8-16 X 3-1/4 HEX HEAD CAP SCREW GRD 5	4.000 EA
HW1001A38	LOCKWASHER 3/8, ZINC PLT .688 OD, .382 I	4.000 EA
09CB3500SP	CONDUIT BOX LID, CAST	1.000 EA
51XW2520A12	.25-20 X .75, TAPTITE II, HEX WSHR SLTD	2.000 EA
HW2501G25	KEY, 3/8 SQ X 2.875	1.000 EA
LB1115	LABEL,LIFTING DEVICE	1.000 EA
LB5040	INSTRUCTION TAG, AC & DC	1.000 EA

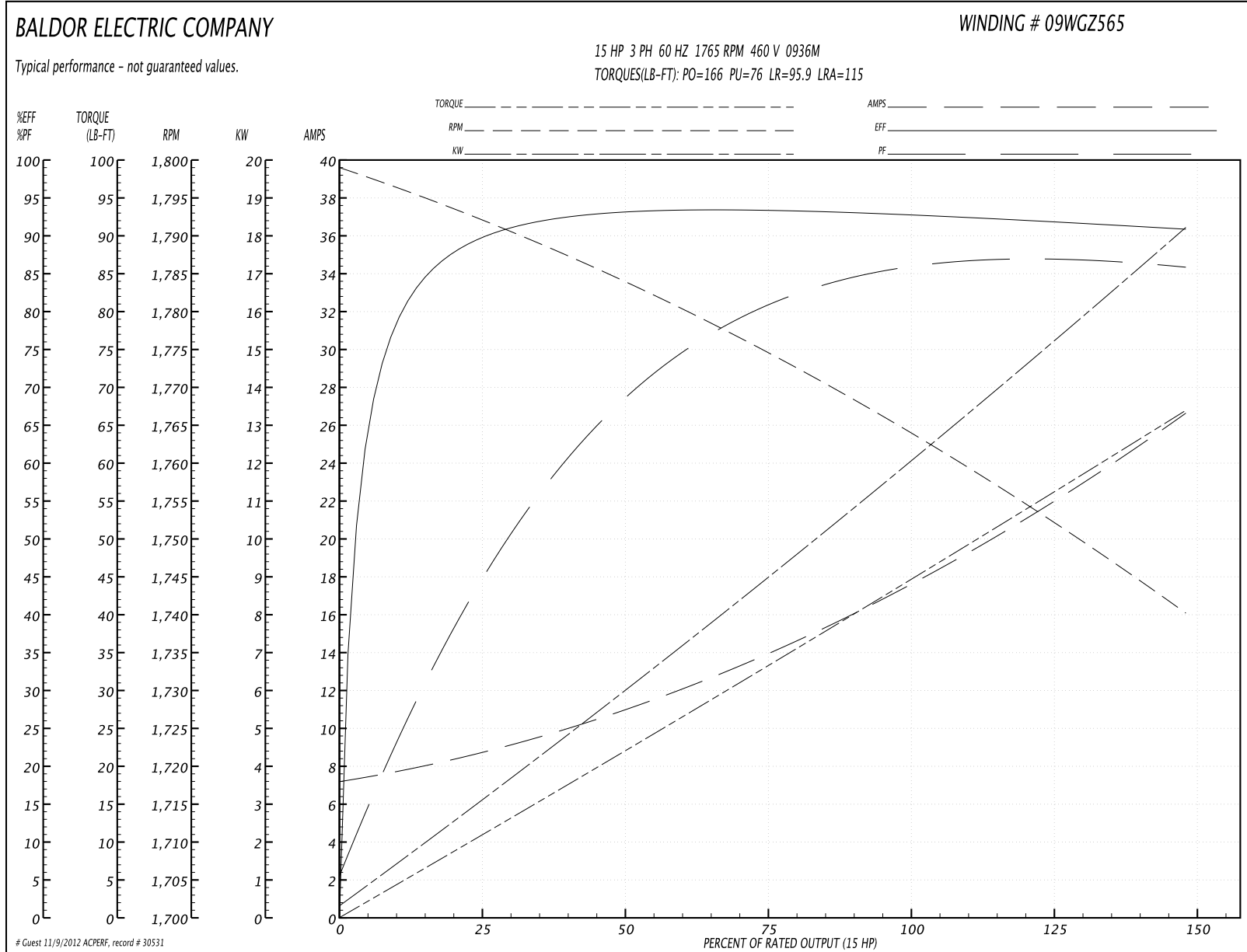
Parts List (continued)		
Part Number	Description	Quantity
11XW1032A12	#10-32 X .75 HX WASHER HEAD	3.000 EA
HW4500A03	GREASE FITTING, .125 NPT 1610(ALEMITE) 8	1.000 EA
HW4500A20	1/8NPT SL PIPE PLUG	1.000 EA
HA4051A00	PLASTIC CAP FOR GREASE FITTING	1.000 EA
MJ1000A75	GREASE, POLYREX EM EXXON	0.080 LB
12XN0832A12	8-32 X 3/4 HEX HD SCREW	3.000 EA
HW4500A03	GREASE FITTING, .125 NPT 1610(ALEMITE) 8	1.000 EA
HW4500A20	1/8NPT SL PIPE PLUG	1.000 EA
HA4051A00	PLASTIC CAP FOR GREASE FITTING	1.000 EA
MG1000Y03	WILKO 689.710 GOLD PAINT SUPER E	0.050 GA
85XU0407A04	#4-7 X 1/4 DRIVE PIN	2.000 EA
LB1119	WARNING LABEL	1.000 EA
LB1125C02	SUPER-E (STOCK CTN LABEL SUPER-E WITH FL	4.000 EA
LB1357	ENERGY GUIDE LABEL (BOX LABEL)	1.000 SH
LC0181	CONNECTION LABEL	1.000 EA
NP1259L	ALUM SUPER-E UL CSA-EEV CC NEMA PREMIUM	1.000 EA
09PA1000	PACKAGING GROUP COMBINED PRINT	1.000 EA

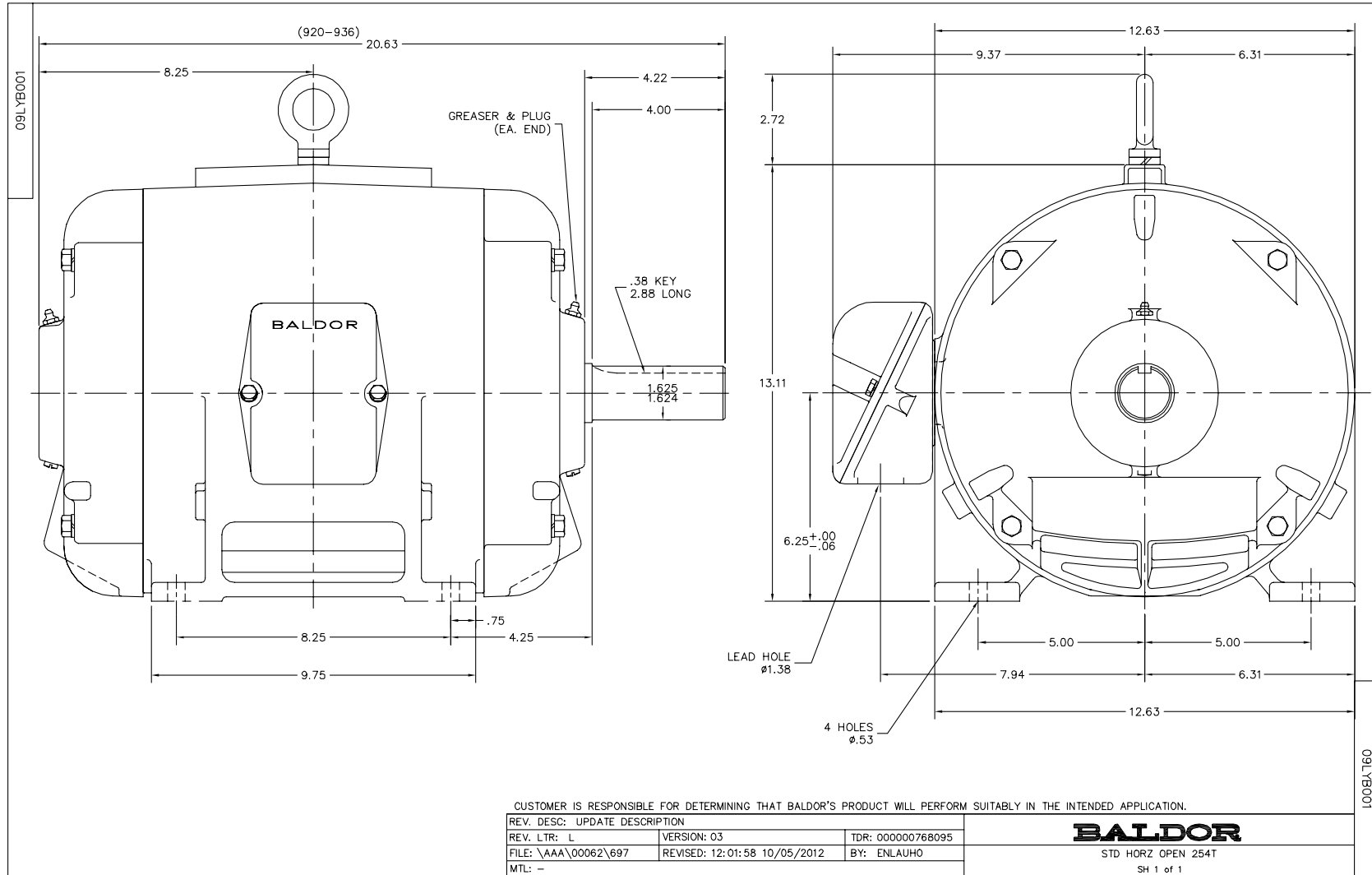
**Performance Data at 460V, 60Hz, 15.0HP (Typical performance - Not guaranteed values)**

General Characteristics			
Full Load Torque:	44.6 LB-FT	Start Configuration:	DOL
No-Load Current:	7.43 Amps	Break-Down Torque:	166.0 LB-FT
Line-line Res. @ 25°C.:	0.624 Ohms A Ph / 0.0 Ohms B Ph	Pull-Up Torque:	76.0 LB-FT
Temp. Rise @ Rated Load:	22 C	Locked-Rotor Torque:	95.9 LB-FT
Temp. Rise @ S.F. Load:	27 C	Starting Current:	115.0 Amps

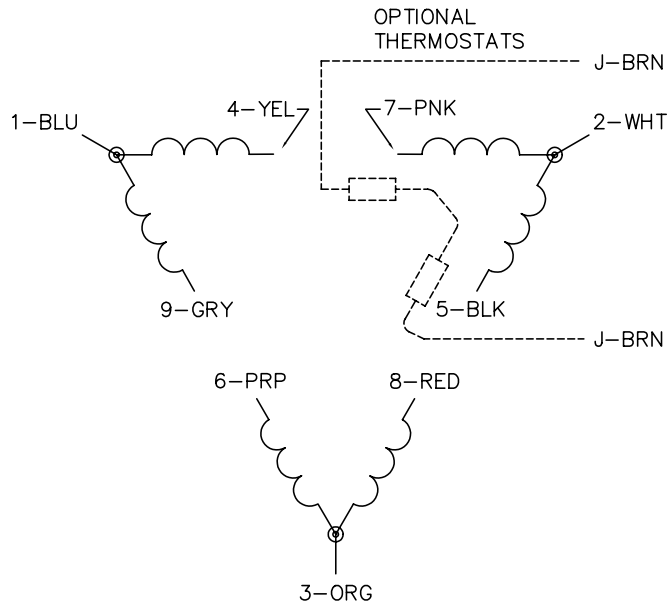
Load Characteristics							
% of Rated Load	25	50	75	100	125	150	S.F.
Power Factor:	47.0	70.0	81.0	85.0	87.0	86.0	86.0
Efficiency:	89.4	93.1	93.4	93.0	92.1	90.9	92.5
Speed:	1792.0	1784.0	1774.0	1764.0	1753.0	1740.0	1757.0
Line Amperes:	8.42	10.9	14.1	17.8	21.9	26.5	20.3

Performance Graph at 460V, 60Hz, 15.0HP Typical performance - Not guaranteed values

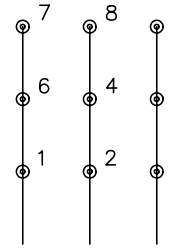




CD0180

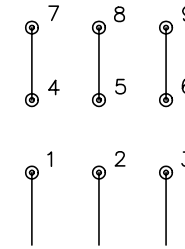


LOW VOLTAGE  
(2D)



LINE

HIGH VOLTAGE  
(1D)



LINE

NOTES:

1. INTERCHANGE ANY TWO LINE LEADS TO REVERSE ROTATION.
2. OPTIONAL THERMOSTATS ARE PROVIDED WHEN SPECIFIED.
3. ACTUAL NUMBER OF INTERNAL PARALLEL CIRCUITS MAY BE A MULTIPLE OF THOSE SHOWN ABOVE.
4. LEAD COLORS ARE OPTIONAL. LEADS MUST ALWAYS BE NUMBERED AS SHOWN.

REV. DESC: REVISE TO SHOW OPTIONAL COLORS			
REV. LTR: C	BY: JLP	REVISED: 01/21/99 2:28	TDR: 0171435
0810D0		FILE: AAA00005148	MDL: -
		MTL: -	

**BALDOR ELECTRIC Co.**

3PH, DV, 9 LEADS, DELTA CONNECTION

CD0180