

BALDOR® • **RELIANCE**

Product Information Packet

EM2514T-G

20HP,3510RPM,3PH,60HZ,254T,3928M,OPSB,F1

Copyright © All product information within this document is subject to Baldor Electric Company copyright © protection, unless otherwise noted.

Part Detail									
Revision:	B	Status:	PRD/A	Change #:		Proprietary:	No		
Type:	AC	Prod. Type:	3928M	Elec. Spec:	39WGX101	CD Diagram:			
Enclosure:	OPSB	Mfg Plant:		Mech. Spec:	39E366	Layout:			
Frame:	254T	Mounting:	F1	Poles:	02	Created Date:	11-29-2011		
Base:	RG	Rotation:	R	Insulation:	H	Eff. Date:	09-14-2012		
Leads:	9#12	Literature:		Elec. Diagram:		Replaced By:			
Nameplate NP1259L									
CAT.NO.	EM2514T-G								
SPEC.	39E366X101G1								
HP	20								
VOLTS	230/460								
AMP	47/23.5								
RPM	3510								
FRAME	254T	HZ	60			PH	3		
SER.F.	1.15	CODE	G			DES	B	CL	H
NEMA-NOM-EFF	91	PF	88						
RATING	40C AMB-CONT								
CC	010A	USABLE AT 208V	51						
DE	6309	ODE	6208						
ENCL	OPSB	SN							

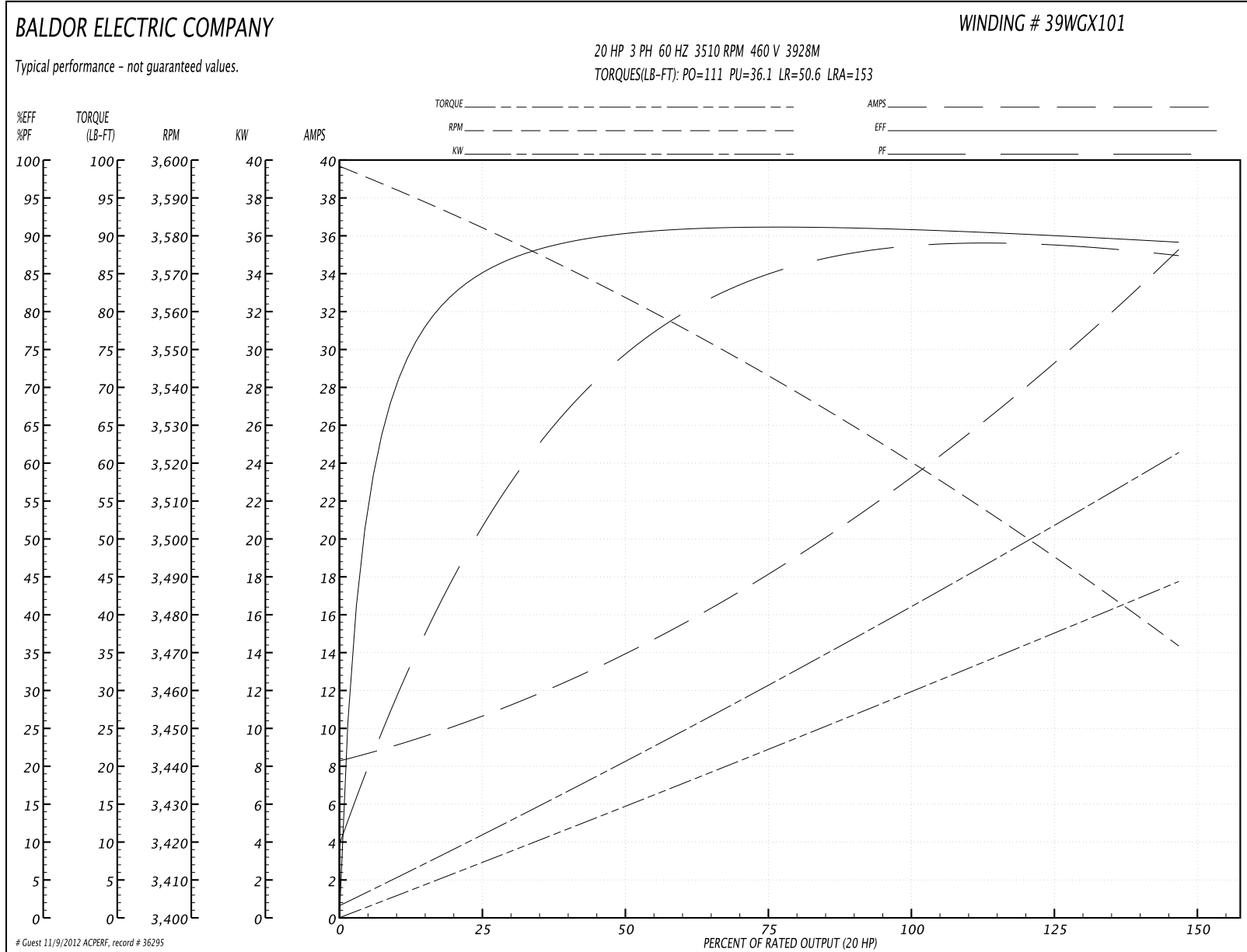
Parts List		
Part Number	Description	Quantity
SA235026	SA 39E366X101G1	1.000 EA
RA221990	RA 39E366X101G1	1.000 EA
S/P107-000-005	SUPER-E PROC'S(254/6 FR.) ZK PLANT - POL	1.000 EA
HA6361A01	LIFTING LUG FOR 37, 39 & 40 FRAME (AUTOP	2.000 EA
HA6016	ADAPTER, CAST CONDUIT BOX	1.000 EA
09CB3002SP	CB W/1.38 LEAD HOLE FOR 37, 39, 307 & 30	1.000 EA
51XW2520A12	.25-20 X .75, TAPTITE II, HEX WSHR SLTD	2.000 EA
HW1001A25	LOCKWASHER 1/4, ZINC PLT .493 OD, .255 I	2.000 EA
WD1000B17	KPA-8C BURNDY TERMINAL	1.000 EA
11XW1032G06	10-32 X .38, TAPTITE II, HEX WSHR SLTD U	1.000 EA
39EP3200A01SP	FR/PU ENDPLATE, MACH	1.000 EA
HW5100A08	W3118-035 WVY WSHR (WB)	1.000 EA
39EP3201A22	PU ENDPLATE, MACH	1.000 EA
XY3816A12	3/8-16 FINISHED NUT	8.000 EA
10XN2520K26	1/4-20X 1 5/8 HEX HD, GRADE 5	4.000 EA
BP5303	SHAFT GRD BOLT THROUGH (SGR-54.5-3FH)	1.000 EA
09CB3501SP	CONDUIT BOX LID FOR 09CB3001 & 09CB3002	1.000 EA
51XW2520A12	.25-20 X .75, TAPTITE II, HEX WSHR SLTD	2.000 EA
HW2501G25	KEY, 3/8 SQ X 2.875	1.000 EA
LB1115	LABEL,LIFTING DEVICE	1.000 EA
LB5040	INSTRUCTION TAG, AC & DC	1.000 EA
HA4051A00	PLASTIC CAP FOR GREASE FITTING	1.000 EA
HW4500A03	GREASE FITTING, .125 NPT 1610(ALEMITE) 8	1.000 EA
HW4500A20	1/8NPT SL PIPE PLUG	1.000 EA

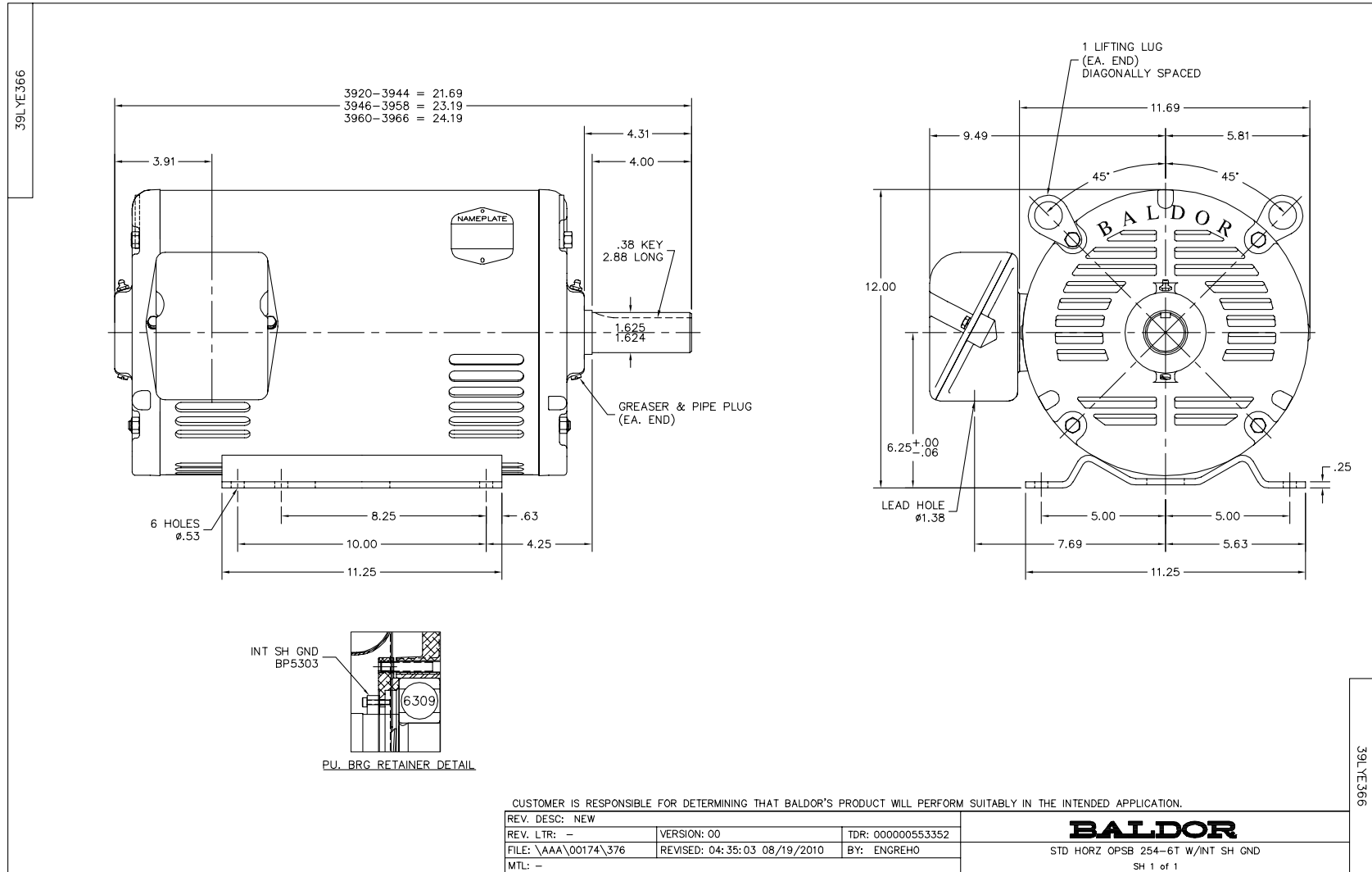
Parts List (continued)		
Part Number	Description	Quantity
MJ1000A75	GREASE, POLYREX EM EXXON	0.030 LB
HA4051A00	PLASTIC CAP FOR GREASE FITTING	1.000 EA
HW4500A03	GREASE FITTING, .125 NPT 1610(ALEMITE) 8	1.000 EA
HW4500A20	1/8NPT SL PIPE PLUG	1.000 EA
MG1000Y03	WILKO 689.710 GOLD PAINT SUPER E	0.050 GA
85XU0407A04	#4-7 X 1/4 DRIVE PIN	2.000 EA
39AD2002C01	BAFFLE PLATE,"X" DIM=2.12 OPEN SLOT BAND	1.000 EA
39AD2002C01	BAFFLE PLATE,"X" DIM=2.12 OPEN SLOT BAND	1.000 EA
HA3154A09	TB STUD 3/8-16 X 16.25	4.000 EA
LB1119	WARNING LABEL	1.000 EA
LB1125C02	SUPER-E (STOCK CTN LABEL SUPER-E WITH FL	4.000 EA
LB1357	ENERGY GUIDE LABEL (BOX LABEL)	1.000 SH
LC0181	CONNECTION LABEL	1.000 EA
NP1259L	ALUM SUPER-E UL CSA-EEV CC NEMA PREMIUM	1.000 EA
39PA1000	PACKAGING GROUP 39 PRINT	1.000 EA

Performance Data at 460V, 60Hz, 20.0HP (Typical performance - Not guaranteed values)

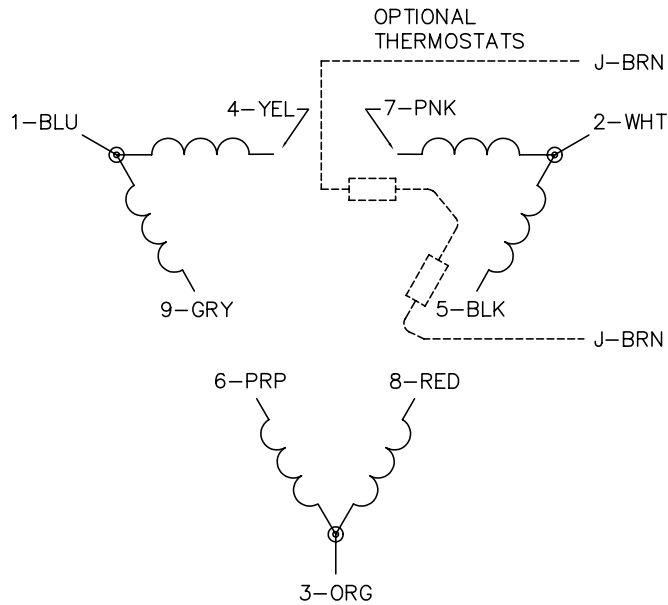
General Characteristics							
Full Load Torque:	29.6 LB-FT			Start Configuration:	DOL		
No-Load Current:	8.61 Amps			Break-Down Torque:	111.0 LB-FT		
Line-line Res. @ 25°C.:	0.512 Ohms A Ph / 0.0 Ohms B Ph			Pull-Up Torque:	36.1 LB-FT		
Temp. Rise @ Rated Load:	44 C			Locked-Rotor Torque:	50.6 LB-FT		
Temp. Rise @ S.F. Load:	54 C			Starting Current:	153.0 Amps		
Load Characteristics							
% of Rated Load	25	50	75	100	125	150	S.F.
Power Factor:	52.0	74.0	83.0	87.0	89.0	89.0	88.0
Efficiency:	84.7	90.1	91.2	91.0	90.1	89.1	90.5
Speed:	3581.0	3563.0	3544.0	3522.0	3496.0	3472.0	3506.0
Line Amperes:	10.2	13.9	18.1	23.3	29.1	35.0	26.78

Performance Graph at 460V, 60Hz, 20.0HP Typical performance - Not guaranteed values

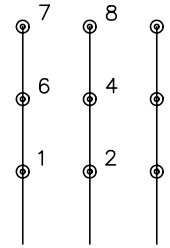




CD0180

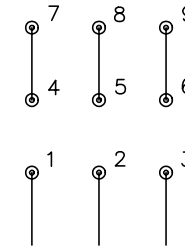


LOW VOLTAGE
(2D)



LINE

HIGH VOLTAGE
(1D)



LINE

NOTES:

1. INTERCHANGE ANY TWO LINE LEADS TO REVERSE ROTATION.
2. OPTIONAL THERMOSTATS ARE PROVIDED WHEN SPECIFIED.
3. ACTUAL NUMBER OF INTERNAL PARALLEL CIRCUITS MAY BE A MULTIPLE OF THOSE SHOWN ABOVE.
4. LEAD COLORS ARE OPTIONAL. LEADS MUST ALWAYS BE NUMBERED AS SHOWN.

REV. DESC: REVISE TO SHOW OPTIONAL COLORS			
REV. LTR: C	BY: JLP	REVISED: 01/21/99 2:28	TDR: 0171435
0810D0		FILE: AAA00005148	MDL: -
		MTL: -	

BALDOR ELECTRIC Co.

3PH, DV, 9 LEADS, DELTA CONNECTION

CD0180