

BALDOR® • **RELIANCE**

Product Information Packet

EM2515T-CI

20HP, 1765RPM, 3PH, 60HZ, 256T, 0946M, OPEN, F1

Copyright © All product information within this document is subject to Baldor Electric Company copyright © protection, unless otherwise noted.

Part Detail									
Revision:	B	Status:	PRD/A	Change #:		Proprietary:	No		
Type:	AC	Prod. Type:	0946M	Elec. Spec:	09WGY363	CD Diagram:			
Enclosure:	OPEN	Mfg Plant:		Mech. Spec:	09D01	Layout:			
Frame:	256T	Mounting:	F1	Poles:	04	Created Date:	03-08-2010		
Base:	RG	Rotation:	R	Insulation:	F	Eff. Date:	10-01-2012		
Leads:	9#12	Literature:		Elec. Diagram:		Replaced By:			
Nameplate NP1259L									
CAT.NO.	EM2515T-CI								
SPEC.	09D001Y363G2								
HP	20								
VOLTS	230/460								
AMP	48/24								
RPM	1765								
FRAME	256T	HZ	60			PH	3		
SER.F.	1.15	CODE	H			DES	B	CL	F
NEMA-NOM-EFF	93	PF	84						
RATING	40C AMB-CONT								
CC	010A	USABLE AT 208V	49						
DE	6309	ODE	6208						
ENCL	OPEN	SN							

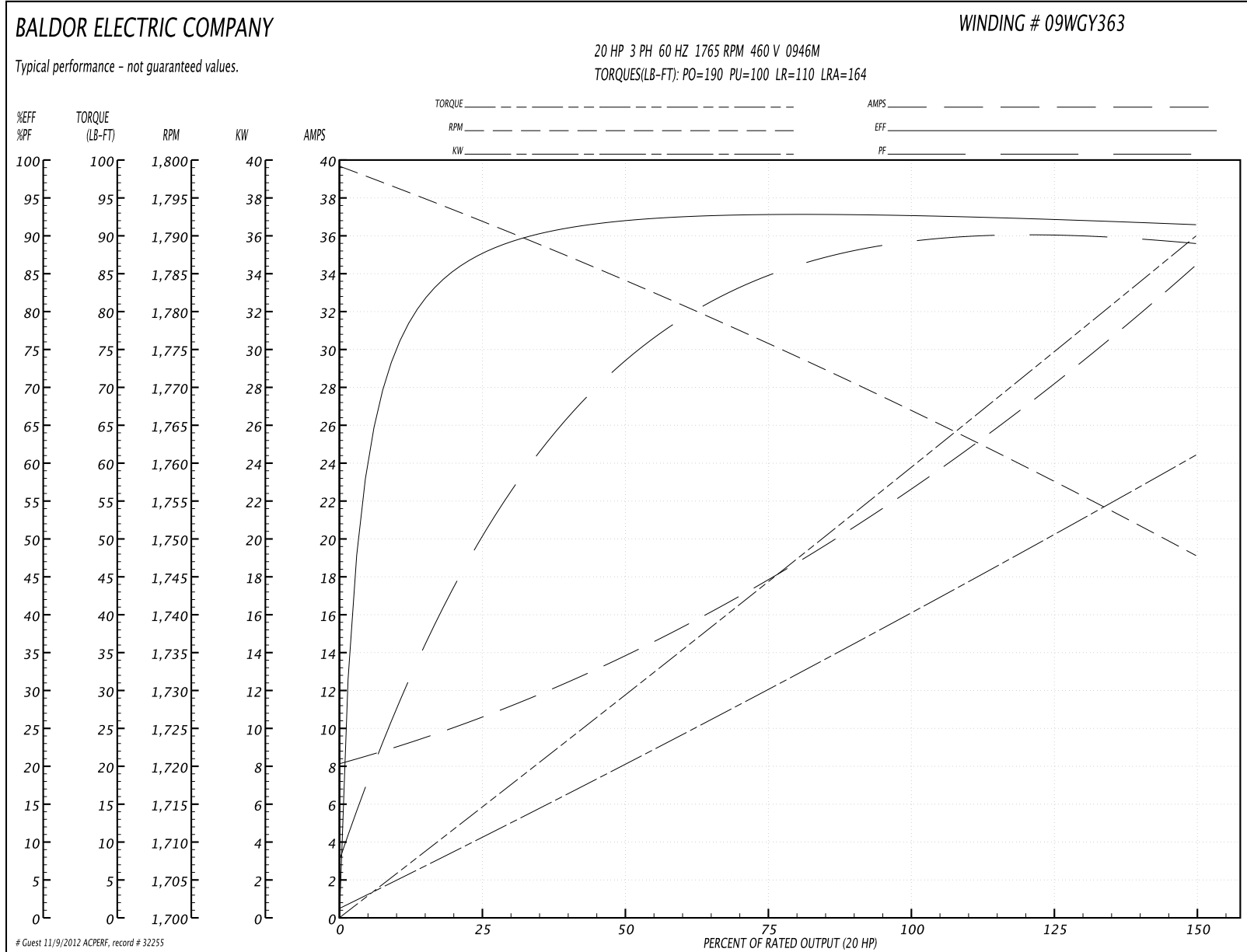
Parts List		
Part Number	Description	Quantity
SA191855	SA 09D001Y363G2	1.000 EA
RA179511	RA 09D001Y363G2	1.000 EA
S/P107-000-005	SUPER-E PROC'S(254/6 FR.) ZK PLANT - POL	1.000 EA
09CB3000SP	CONDUIT BOX CAST	1.000 EA
10XN2520K12	1/4-20 X.75 GRD 5	2.000 EA
HW1001A25	LOCKWASHER 1/4, ZINC PLT .493 OD, .255 I	2.000 EA
WD1000B17	KPA-8C BURNDY TERMINAL	1.000 EA
11XW1032G06	10-32 X .38, TAPTITE II, HEX WSHR SLTD U	1.000 EA
HW1001A08	WASHER, #8 SPLT LK, ZN	3.000 EA
09EP1200A01	FR ENDPLATE, MACH	1.000 EA
10XN3816K52	3/8-16 X 3-1/4 HEX HEAD CAP SCREW GRD 5	4.000 EA
HW1001A38	LOCKWASHER 3/8, ZINC PLT .688 OD, .382 I	4.000 EA
HW5100A08	W3118-035 WVY WSHR (WB)	1.000 EA
HW1001A08	WASHER, #8 SPLT LK, ZN	3.000 EA
09EP1201A01	PU ENDPLATE, MACH	1.000 EA
10XN3816K52	3/8-16 X 3-1/4 HEX HEAD CAP SCREW GRD 5	4.000 EA
HW1001A38	LOCKWASHER 3/8, ZINC PLT .688 OD, .382 I	4.000 EA
09CB3500SP	CONDUIT BOX LID, CAST	1.000 EA
51XW2520A12	.25-20 X .75, TAPTITE II, HEX WSHR SLTD	2.000 EA
HW2501G25	KEY, 3/8 SQ X 2.875	1.000 EA
LB1115	LABEL,LIFTING DEVICE	1.000 EA
LB5040	INSTRUCTION TAG, AC & DC	1.000 EA
09AD2000A01	AIR DEFLECTOR, 309 OPEN	1.000 EA
12XN0832A12	8-32 X 3/4 HEX HD SCREW	3.000 EA

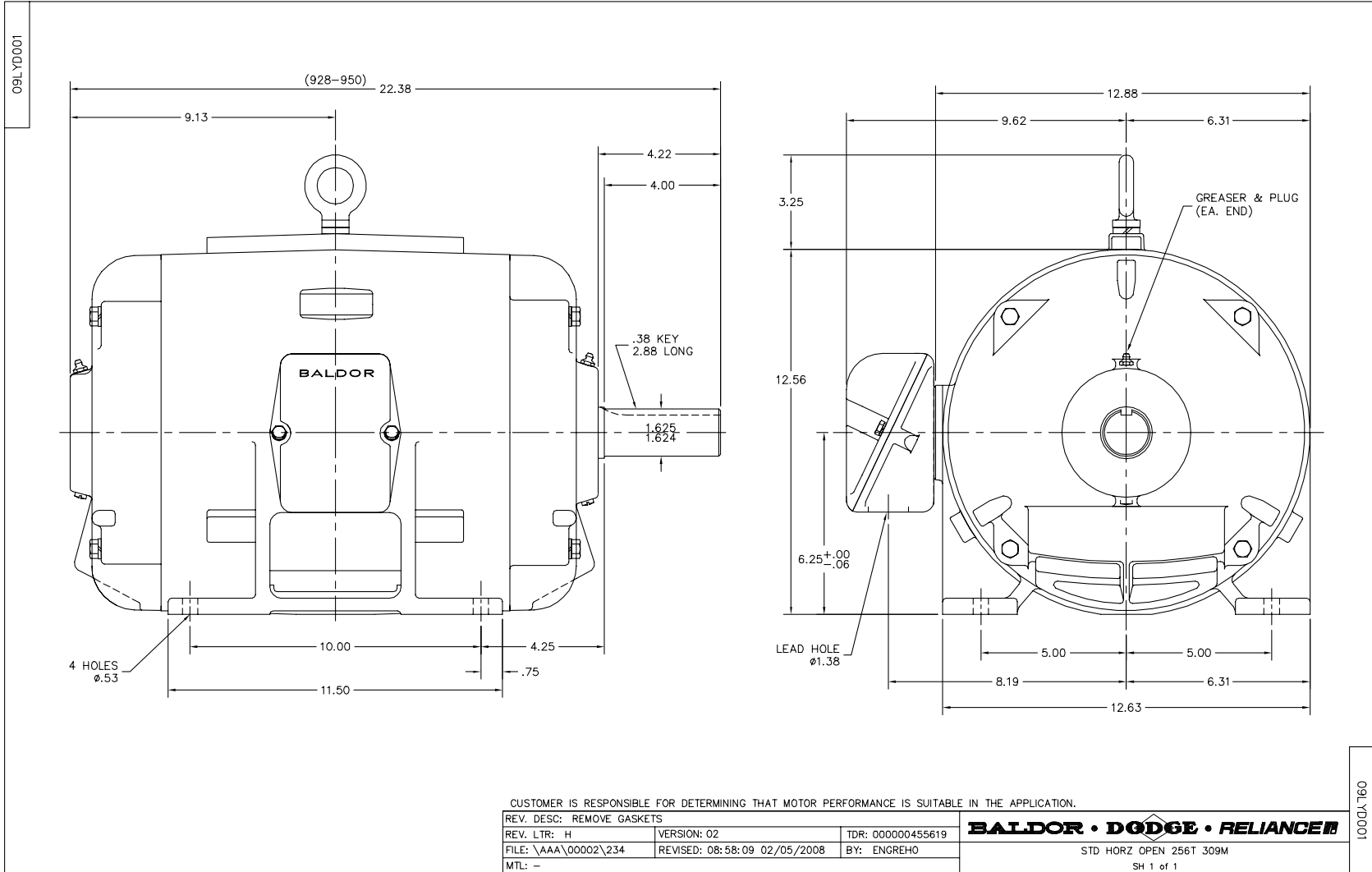
Parts List (continued)		
Part Number	Description	Quantity
11XW1032A12	#10-32 X .75 HX WASHER HEAD	3.000 EA
HW4500A03	GREASE FITTING, .125 NPT 1610(ALEMITE) 8	1.000 EA
HW4500A20	1/8NPT SL PIPE PLUG	1.000 EA
HA4051A00	PLASTIC CAP FOR GREASE FITTING	1.000 EA
MJ1000A75	GREASE, POLYREX EM EXXON	0.080 LB
09AD2000A01	AIR DEFLECTOR, 309 OPEN	1.000 EA
HW4500A03	GREASE FITTING, .125 NPT 1610(ALEMITE) 8	1.000 EA
HW4500A20	1/8NPT SL PIPE PLUG	1.000 EA
HA4051A00	PLASTIC CAP FOR GREASE FITTING	1.000 EA
MG1000Y03	WILKO 689.710 GOLD PAINT SUPER E	0.050 GA
85XU0407A04	#4-7 X 1/4 DRIVE PIN	2.000 EA
LB1125C02	SUPER-E (STOCK CTN LABEL SUPER-E WITH FL	4.000 EA
LB1357	ENERGY GUIDE LABEL (BOX LABEL)	1.000 SH
LC0005E02	SPL CONN.DIA./WARN.LABEL(LC0005/LB1119)	1.000 EA
NP1259L	ALUM SUPER-E UL CSA-EEV CC NEMA PREMIUM	1.000 EA
09PA1000	PACKAGING GROUP COMBINED PRINT	1.000 EA

Performance Data at 460V, 60Hz, 20.0HP (Typical performance - Not guaranteed values)

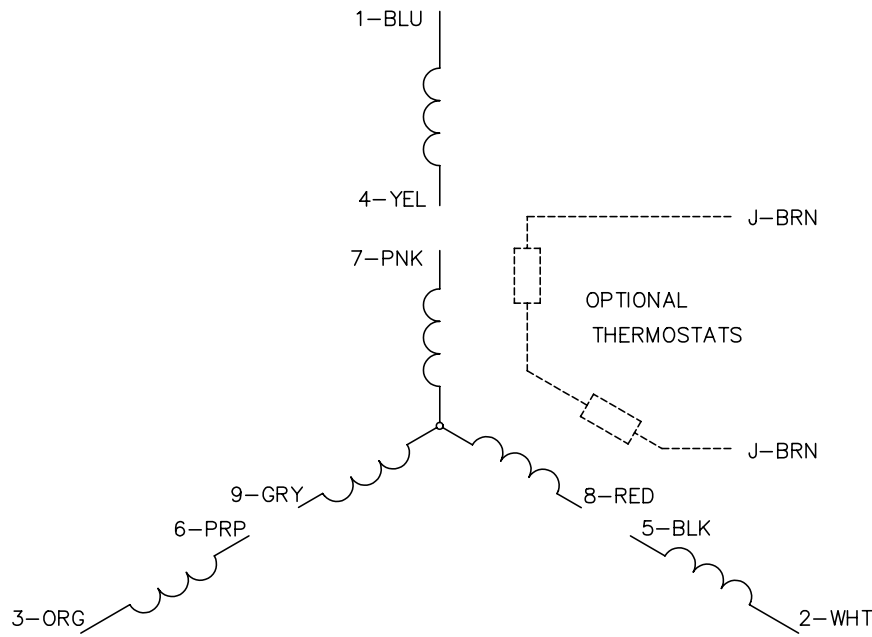
General Characteristics							
Full Load Torque:	60.0 LB-FT			Start Configuration:	DOL		
No-Load Current:	8.5 Amps			Break-Down Torque:	190.0 LB-FT		
Line-line Res. @ 25°C.:	0.433 Ohms A Ph / 0.0 Ohms B Ph			Pull-Up Torque:	100.0 LB-FT		
Temp. Rise @ Rated Load:	46 C			Locked-Rotor Torque:	110.0 LB-FT		
Temp. Rise @ S.F. Load:	56 C			Starting Current:	164.0 Amps		
Load Characteristics							
% of Rated Load	25	50	75	100	125	150	S.F.
Power Factor:	52.0	74.0	83.0	87.0	89.0	89.0	88.0
Efficiency:	87.4	91.9	92.8	93.0	92.2	91.4	92.4
Speed:	1792.0	1784.0	1775.0	1767.0	1757.0	1748.0	1761.0
Line Amperes:	10.2	13.7	18.2	23.1	28.5	34.2	26.2

Performance Graph at 460V, 60Hz, 20.0HP Typical performance - Not guaranteed values

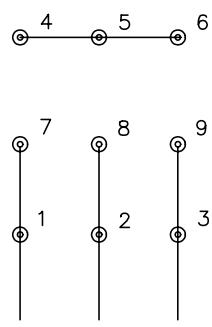




CD0005

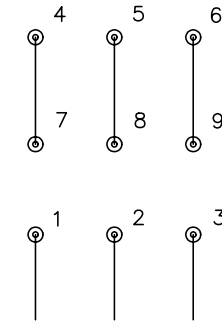


LOW VOLTAGE
(2Y)



LINE

HIGH VOLTAGE
(1Y)



LINE

NOTES:

1. INTERCHANGE ANY TWO LINE LEADS TO REVERSE ROTATION.
2. OPTIONAL THERMOSTATS ARE PROVIDED WHEN SPECIFIED.
3. ACTUAL NUMBER OF INTERNAL PARALLEL CIRCUITS MAY BE A MULTIPLE OF THOSE SHOWN ABOVE.
4. LEAD COLORS ARE OPTIONAL. LEADS MUST ALWAYS BE NUMBERED AS SHOWN.

REV. DESC: REVISE TO SHOW OPTIONAL COLORS			
REV. LTR: E	BY: JLP	REVISED: 01/19/99 10:15	TDR: 0171435
90000		FILE: AAA00005140	MDL: -
		MTL: -	

BALDOR ELECTRIC Co.

3PH, DV, 9 LEADS

CD0005