

BALDOR® • **RELIANCE**

Product Information Packet

EM2515T-G

20HP, 1765RPM, 3PH, 60HZ, 256T, 3944M, OPSB, F1

Copyright © All product information within this document is subject to Baldor Electric Company copyright © protection, unless otherwise noted.

| Part Detail | | | | | | | | | |
|-------------------|--------------|----------------|-------|----------------|----------|---------------|------------|----|---|
| Revision: | D | Status: | PRD/A | Change #: | | Proprietary: | No | | |
| Type: | AC | Prod. Type: | 3944M | Elec. Spec: | 39WGW915 | CD Diagram: | | | |
| Enclosure: | OPSB | Mfg Plant: | | Mech. Spec: | 39E366 | Layout: | | | |
| Frame: | 256T | Mounting: | F1 | Poles: | 04 | Created Date: | 08-20-2010 | | |
| Base: | RG | Rotation: | R | Insulation: | H | Eff. Date: | 09-14-2012 | | |
| Leads: | 9#12 | Literature: | | Elec. Diagram: | | Replaced By: | | | |
| Nameplate NP1259L | | | | | | | | | |
| CAT.NO. | EM2515T-G | | | | | | | | |
| SPEC. | 39E366W915G1 | | | | | | | | |
| HP | 20 | | | | | | | | |
| VOLTS | 230/460 | | | | | | | | |
| AMP | 47/23.5 | | | | | | | | |
| RPM | 1765 | | | | | | | | |
| FRAME | 256T | HZ | 60 | | | PH | 3 | | |
| SER.F. | 1.15 | CODE | H | | | DES | B | CL | H |
| NEMA-NOM-EFF | 93 | PF | 86 | | | | | | |
| RATING | 40C AMB-CONT | | | | | | | | |
| CC | 010A | USABLE AT 208V | 49.4 | | | | | | |
| DE | 6309 | ODE | 6208 | | | | | | |
| ENCL | OPSB | SN | | | | | | | |
| | | | | | | | | | |

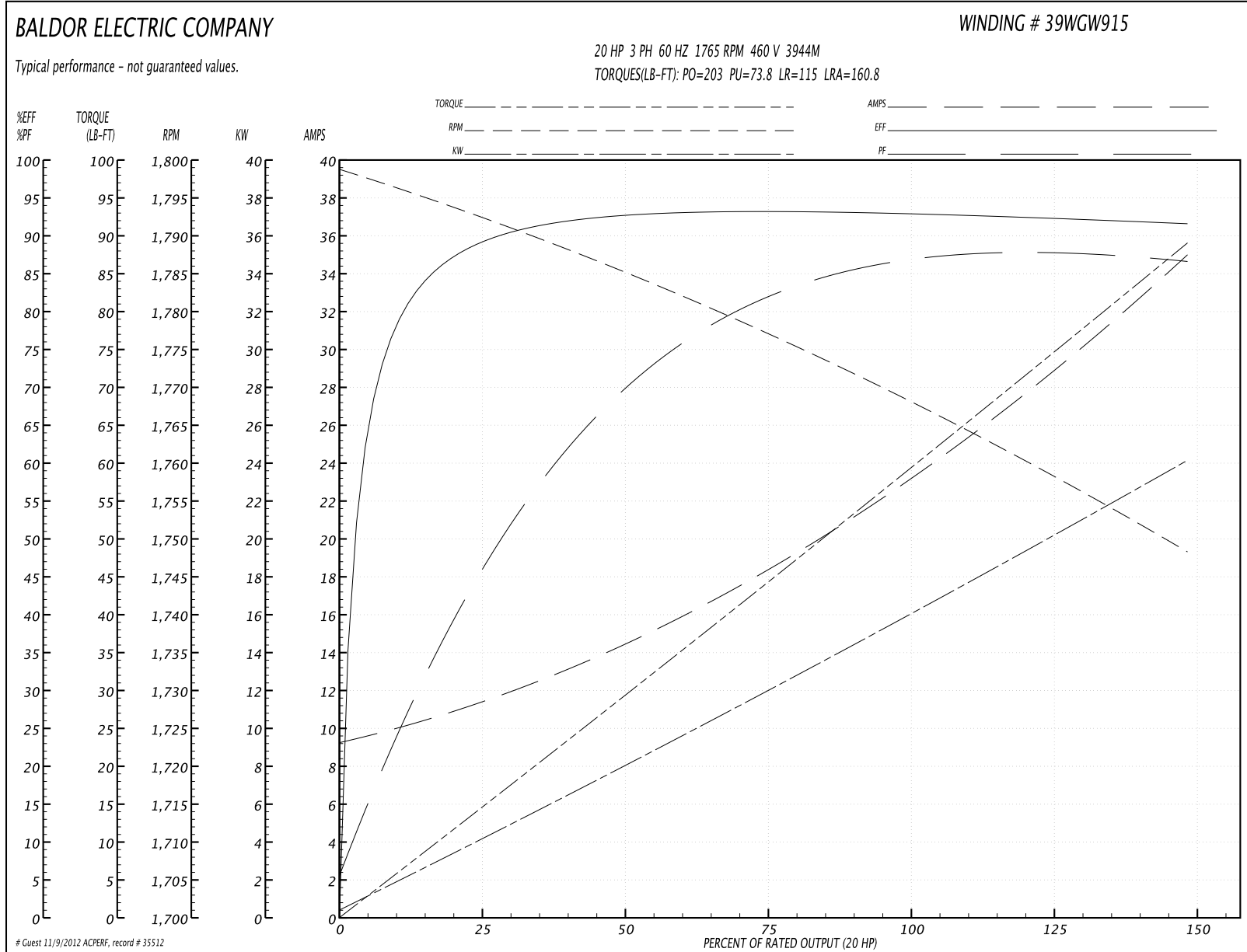
| Parts List | | |
|----------------|--|----------|
| Part Number | Description | Quantity |
| SA201978 | SA 39E366W915G1 | 1.000 EA |
| RA189268 | RA 39E366W915G1 | 1.000 EA |
| S/P107-000-005 | SUPER-E PROC'S(254/6 FR.) ZK PLANT - POL | 1.000 EA |
| HA6361A01 | LIFTING LUG FOR 37, 39 & 40 FRAME (AUTOP | 2.000 EA |
| HA6016 | ADAPTER, CAST CONDUIT BOX | 1.000 EA |
| 09CB3002SP | CB W/1.38 LEAD HOLE FOR 37, 39, 307 & 30 | 1.000 EA |
| 51XW2520A12 | .25-20 X .75, TAPTITE II, HEX WSHR SLTD | 2.000 EA |
| HW1001A25 | LOCKWASHER 1/4, ZINC PLT .493 OD, .255 I | 2.000 EA |
| WD1000B17 | KPA-8C BURNDY TERMINAL | 1.000 EA |
| 11XW1032G06 | 10-32 X .38, TAPTITE II, HEX WSHR SLTD U | 1.000 EA |
| 39EP3200A01SP | FR/PU ENDPLATE, MACH | 1.000 EA |
| HW5100A08 | W3118-035 WVY WSHR (WB) | 1.000 EA |
| 39EP3201A22 | PU ENDPLATE, MACH | 1.000 EA |
| XY3816A12 | 3/8-16 FINISHED NUT | 8.000 EA |
| 10XN2520K26 | 1/4-20X 1 5/8 HEX HD, GRADE 5 | 4.000 EA |
| BP5303 | SHAFT GRD BOLT THROUGH (SGR-54.5-3FH) | 1.000 EA |
| 09CB3501SP | CONDUIT BOX LID FOR 09CB3001 & 09CB3002 | 1.000 EA |
| 51XW2520A12 | .25-20 X .75, TAPTITE II, HEX WSHR SLTD | 2.000 EA |
| HW2501G25 | KEY, 3/8 SQ X 2.875 | 1.000 EA |
| LB1115 | LABEL,LIFTING DEVICE | 1.000 EA |
| LB5040 | INSTRUCTION TAG, AC & DC | 1.000 EA |
| HA4051A00 | PLASTIC CAP FOR GREASE FITTING | 1.000 EA |
| HW4500A03 | GREASE FITTING, .125 NPT 1610(ALEMITE) 8 | 1.000 EA |
| HW4500A20 | 1/8NPT SL PIPE PLUG | 1.000 EA |

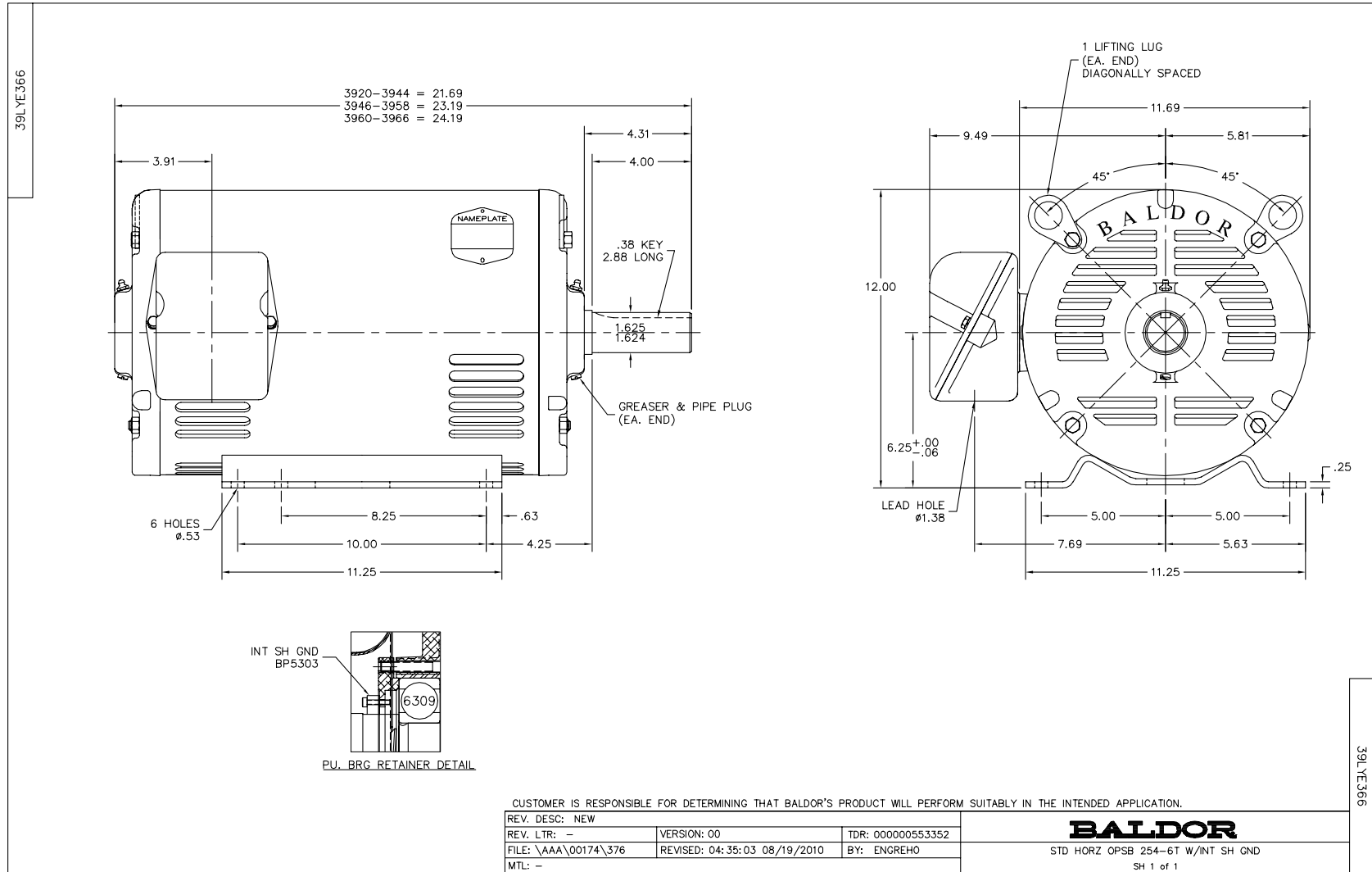
| Parts List (continued) | | |
|------------------------|--|----------|
| Part Number | Description | Quantity |
| MJ1000A75 | GREASE, POLYREX EM EXXON | 0.030 LB |
| HA4051A00 | PLASTIC CAP FOR GREASE FITTING | 1.000 EA |
| HW4500A03 | GREASE FITTING, .125 NPT 1610(ALEMITE) 8 | 1.000 EA |
| HW4500A20 | 1/8NPT SL PIPE PLUG | 1.000 EA |
| MG1000Y03 | WILKO 689.710 GOLD PAINT SUPER E | 0.050 GA |
| 85XU0407A04 | #4-7 X 1/4 DRIVE PIN | 2.000 EA |
| 39AD2002A01 | BAFFLE PLATE 39 OPEN, SLOTTED BAND MTRS | 1.000 EA |
| 39AD2002A01 | BAFFLE PLATE 39 OPEN, SLOTTED BAND MTRS | 1.000 EA |
| HA3154A09 | TB STUD 3/8-16 X 16.25 | 4.000 EA |
| LB1119 | WARNING LABEL | 1.000 EA |
| LB1125C02 | SUPER-E (STOCK CTN LABEL SUPER-E WITH FL | 4.000 EA |
| LB1357 | ENERGY GUIDE LABEL (BOX LABEL) | 1.000 SH |
| LC0181 | CONNECTION LABEL | 1.000 EA |
| NP1259L | ALUM SUPER-E UL CSA-EEV CC NEMA PREMIUM | 1.000 EA |
| 39PA1000 | PACKAGING GROUP 39 PRINT | 1.000 EA |

Performance Data at 460V, 60Hz, 20.0HP (Typical performance - Not guaranteed values)

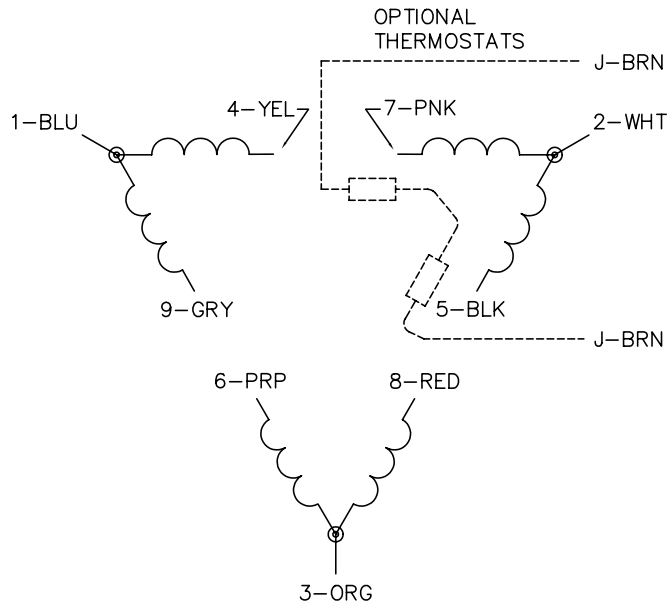
| General Characteristics | | | | | | | |
|--------------------------|---------------------------------|--------|--------|----------------------|-------------|--------|--------|
| Full Load Torque: | 59.4 LB-FT | | | Start Configuration: | DOL | | |
| No-Load Current: | 9.55 Amps | | | Break-Down Torque: | 203.0 LB-FT | | |
| Line-line Res. @ 25°C.: | 0.437 Ohms A Ph / 0.0 Ohms B Ph | | | Pull-Up Torque: | 73.8 LB-FT | | |
| Temp. Rise @ Rated Load: | 33 C | | | Locked-Rotor Torque: | 115.0 LB-FT | | |
| Temp. Rise @ S.F. Load: | 44 C | | | Starting Current: | 160.8 Amps | | |
| Load Characteristics | | | | | | | |
| % of Rated Load | 25 | 50 | 75 | 100 | 125 | 150 | S.F. |
| Power Factor: | 48.0 | 71.0 | 81.0 | 86.0 | 88.0 | 88.0 | 87.0 |
| Efficiency: | 88.5 | 92.5 | 93.2 | 93.1 | 92.4 | 91.5 | 92.7 |
| Speed: | 1792.0 | 1785.0 | 1777.0 | 1768.0 | 1759.0 | 1748.0 | 1763.0 |
| Line Amperes: | 11.06 | 14.3 | 18.54 | 23.44 | 28.92 | 34.77 | 26.69 |

Performance Graph at 460V, 60Hz, 20.0HP Typical performance - Not guaranteed values

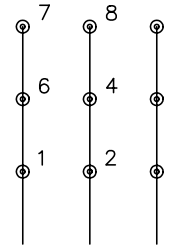




CD0180

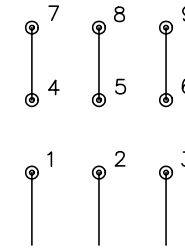


LOW VOLTAGE
(2D)



LINE

HIGH VOLTAGE
(1D)



LINE

NOTES:

1. INTERCHANGE ANY TWO LINE LEADS TO REVERSE ROTATION.
2. OPTIONAL THERMOSTATS ARE PROVIDED WHEN SPECIFIED.
3. ACTUAL NUMBER OF INTERNAL PARALLEL CIRCUITS MAY BE A MULTIPLE OF THOSE SHOWN ABOVE.
4. LEAD COLORS ARE OPTIONAL. LEADS MUST ALWAYS BE NUMBERED AS SHOWN.

| | | | |
|---|---------|------------------------|--------------|
| REV. DESC: REVISE TO SHOW OPTIONAL COLORS | | | |
| REV. LTR: C | BY: JLP | REVISED: 01/21/99 2:28 | TDR: 0171435 |
| 0810D0 | | FILE: AAA00005148 | MDL: - |
| | | MTL: - | |

BALDOR ELECTRIC Co.

3PH, DV, 9 LEADS, DELTA CONNECTION

CD0180