

BALDOR® • RELIANCE

Product Information Packet

EM2516T

25HP,3515RPM,3PH,60HZ,256T,3938M,OPSB,F1

Copyright © All product information within this document is subject to Baldor Electric Company copyright © protection, unless otherwise noted.

Part Detail							
Revision:	K	Status:	PRD/A	Change #:		Proprietary:	No
Type:	AC	Prod. Type:	3938M	Elec. Spec:	39WGX424	CD Diagram:	
Enclosure:	OPSB	Mfg Plant:		Mech. Spec:	39K57	Layout:	
Frame:	256T	Mounting:	F1	Poles:	02	Created Date:	
Base:	RG	Rotation:	R	Insulation:	F	Eff. Date:	10-27-2010
Leads:	9#12	Literature:		Elec. Diagram:		Replaced By:	

Nameplate NP1259L									
CAT.NO.	EM2516T								
SPEC.	39K057X424G1								
HP	25								
VOLTS	230/460								
AMP	56/28								
RPM	3515								
FRAME	256T	HZ	60	PH	3				
SER.F.	1.15	CODE	G	DES	B	CL	F		
NEMA-NOM-EFF	91.7	PF	89						
RATING	40C AMB-CONT								
CC	010A	USABLE AT 208V	62						
DE	6309	ODE	6208						
ENCL	OPSB	SN							

Parts List		
Part Number	Description	Quantity
SA112807	SA 39K057X424G1	1.000 EA
RA104041	RA 39K057X424G1	1.000 EA
S/P107-000-005	SUPER-E PROC'S(254/6 FR.) ZK PLANT - POL	1.000 EA
HA6361A01	LIFTING LUG FOR 37, 39 & 40 FRAME (AUTOP	2.000 EA
HA6016	ADAPTER, CAST CONDUIT BOX	1.000 EA
09CB3002SP	CB W/1.38 LEAD HOLE FOR 37, 39, 307 & 30	1.000 EA
51XW2520A12	.25-20 X .75, TAPTITE II, HEX WSHR SLTD	2.000 EA
HW1001A25	LOCKWASHER 1/4, ZINC PLT .493 OD, .255 I	2.000 EA
WD1000B17	KPA-8C BURNDY TERMINAL	1.000 EA
11XW1032G06	10-32 X .38, TAPTITE II, HEX WSHR SLTD U	1.000 EA
39EP3200A01SP	FR/PU ENDPLATE, MACH	1.000 EA
HW5100A08	W3118-035 WVY WSHR (WB)	1.000 EA
39EP3201A13	PU ENDPLATE, MACH	1.000 EA
XY3816A12	3/8-16 FINISHED NUT	8.000 EA
09CB3501SP	CONDUIT BOX LID FOR 09CB3001 & 09CB3002	1.000 EA
51XW2520A12	.25-20 X .75, TAPTITE II, HEX WSHR SLTD	2.000 EA
HW2501G25	KEY, 3/8 SQ X 2.875	1.000 EA
LB1115	LABEL,LIFTING DEVICE	1.000 EA
HA4051A00	PLASTIC CAP FOR GREASE FITTING	1.000 EA
HW4500A03	GREASE FITTING, .125 NPT 1610(ALEMITE) 8	1.000 EA
HW4500A20	1/8NPT SL PIPE PLUG	1.000 EA
MJ1000A75	GREASE, POLYREX EM EXXON	0.030 LB
HA4051A00	PLASTIC CAP FOR GREASE FITTING	1.000 EA
HW4500A03	GREASE FITTING, .125 NPT 1610(ALEMITE) 8	1.000 EA

Parts List (continued)		
Part Number	Description	Quantity
HW4500A20	1/8NPT SL PIPE PLUG	1.000 EA
MG1000Y03	WILKO 689.710 GOLD PAINT SUPER E	0.050 GA
85XU0407A04	#4-7 X 1/4 DRIVE PIN	2.000 EA
39AD2002A01	BAFFLE PLATE 39 OPEN, SLOTTED BAND MTRS	1.000 EA
39AD2002A01	BAFFLE PLATE 39 OPEN, SLOTTED BAND MTRS	1.000 EA
HA3154A09	TB STUD 3/8-16 X 16.25	4.000 EA
LC0181	CONNECTION LABEL	1.000 EA
LB5040	INSTRUCTION TAG, AC & DC	1.000 EA
LB1119	WARNING LABEL	1.000 EA
LB1125C02	SUPER-E (STOCK CTN LABEL SUPER-E WITH FL	4.000 EA
LB1357	ENERGY GUIDE LABEL (BOX LABEL)	1.000 SH
NP1259L	ALUM SUPER-E UL CSA-EEV CC NEMA PREMIUM	1.000 EA
39PA1000	PACKAGING GROUP 39 PRINT	1.000 EA

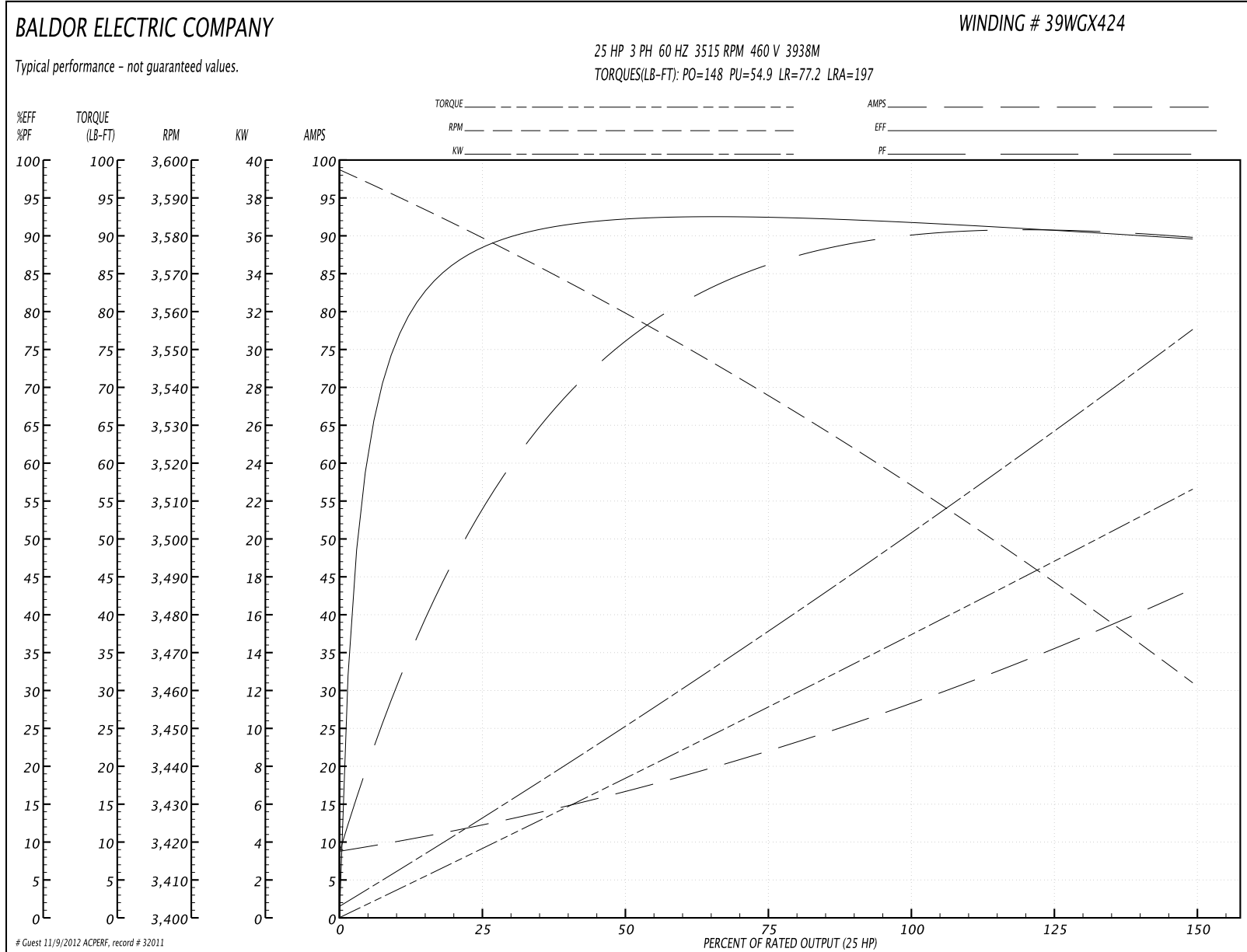
Accessories		
Part Number	Description	Multiplier
39-3400	C FACE KIT	A8

Performance Data at 460V, 60Hz, 25.0HP (Typical performance - Not guaranteed values)

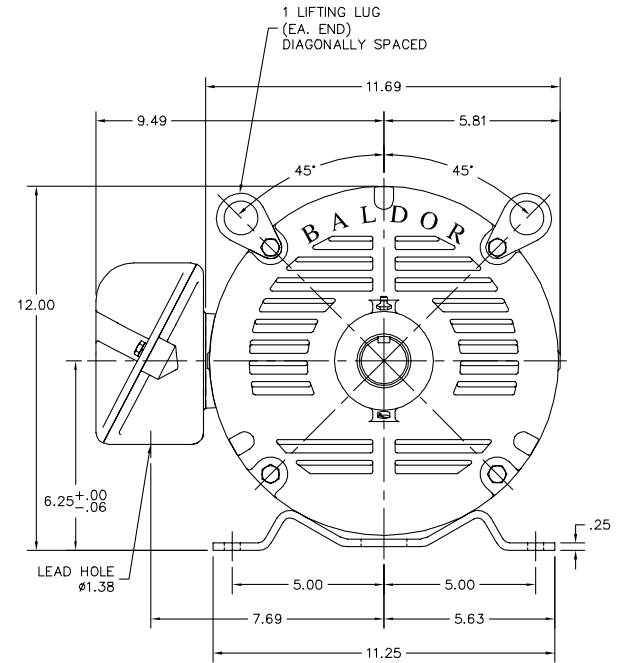
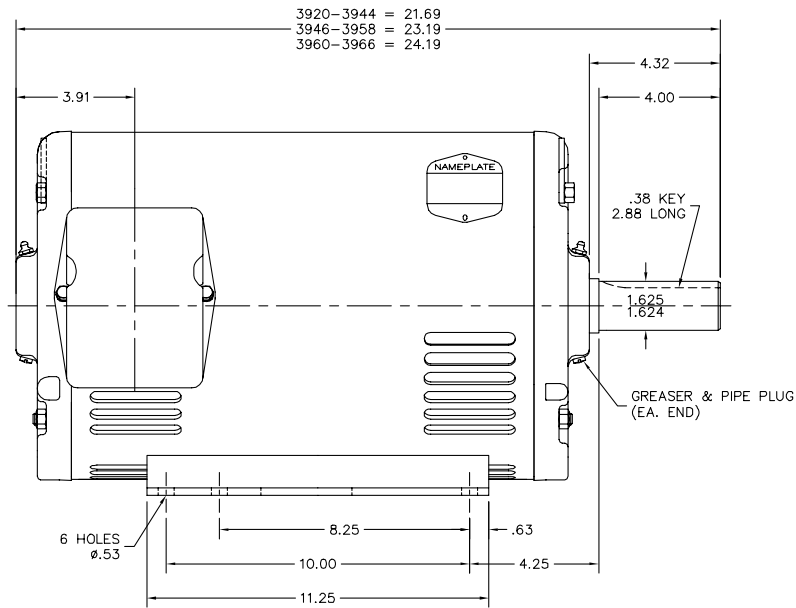
General Characteristics			
Full Load Torque:	37.2 LB-FT	Start Configuration:	DOL
No-Load Current:	8.48 Amps	Break-Down Torque:	148.0 LB-FT
Line-line Res. @ 25°C.:	0.38245 Ohms A Ph / 0.0 Ohms B Ph	Pull-Up Torque:	54.9 LB-FT
Temp. Rise @ Rated Load:	46 C	Locked-Rotor Torque:	77.2 LB-FT
Temp. Rise @ S.F. Load:	57 C	Starting Current:	197.0 Amps

Load Characteristics							
% of Rated Load	25	50	75	100	125	150	S.F.
Power Factor:	50.0	79.0	86.0	89.0	90.0	90.0	90.0
Efficiency:	87.5	91.8	92.3	91.7	90.7	89.4	91.1
Speed:	3578.1	3559.4	3538.9	3515.1	3490.0	3461.0	3500.0
Line Amperes:	13.1	15.8	21.8	28.4	35.6	43.3	32.7

Performance Graph at 460V, 60Hz, 25.0HP Typical performance - Not guaranteed values



39LYK057



39LYK057

CUSTOMER IS RESPONSIBLE FOR DETERMINING THAT BALDOR'S PRODUCT WILL PERFORM SUITABLY IN THE INTENDED APPLICATION.

REV. DESC: UPDATE STACK RANGE TO 66		
REV. LTR: G	VERSION: 05	TDR: 000000551239
FILE: \AAA\00049\866	REVISED: 10:10:12 07/29/2010	BY: ENGREHO
MTL: -		

BALDOR

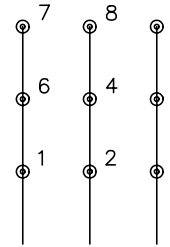
STD HORZ OPSB 254-6T SUPER-E

SH 1 of 1

CD0180

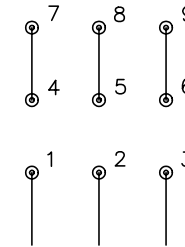


LOW VOLTAGE
(2D)



LINE

HIGH VOLTAGE
(1D)



LINE

NOTES:

1. INTERCHANGE ANY TWO LINE LEADS TO REVERSE ROTATION.
2. OPTIONAL THERMOSTATS ARE PROVIDED WHEN SPECIFIED.
3. ACTUAL NUMBER OF INTERNAL PARALLEL CIRCUITS MAY BE A MULTIPLE OF THOSE SHOWN ABOVE.
4. LEAD COLORS ARE OPTIONAL. LEADS MUST ALWAYS BE NUMBERED AS SHOWN.

REV. DESC: REVISE TO SHOW OPTIONAL COLORS			
REV. LTR: C	BY: JLP	REVISED: 01/21/99 2:28	TDR: 0171435
0810D0		FILE: AAA00005148	MDL: -
		MTL: -	

BALDOR ELECTRIC Co.

3PH, DV, 9 LEADS, DELTA CONNECTION

CD0180