

BALDOR® • ***RELIANCE***

Product Information Packet

EM2531T-CI

25HP, 1770RPM, 3PH, 60HZ, 284T, 1046M, OPEN, F1

Copyright © All product information within this document is subject to Baldor Electric Company copyright © protection, unless otherwise noted.

Part Detail							
Revision:	C	Status:	PRD/A	Change #:		Proprietary:	No
Type:	AC	Prod. Type:	1046M	Elec. Spec:	10WGY677	CD Diagram:	
Enclosure:	OPEN	Mfg Plant:		Mech. Spec:	10B01	Layout:	
Frame:	284T	Mounting:	F1	Poles:	04	Created Date:	03-02-2010
Base:	RG	Rotation:	R	Insulation:	F	Eff. Date:	06-27-2011
Leads:	9#10	Literature:		Elec. Diagram:		Replaced By:	

Nameplate NP2138L							
CAT.NO.	EM2531T-CI	P/N		ENCLOSURE	OPEN		
SPEC.	10B001Y677G1	CC	010A	FRAME	284T	S/N	
HP	25	CLASS	F	HZ	60		
RPM	1770	PH	3	DES	B		
VOLT	230/460	KVA-CODE	G	ODE BRG	6309	DE BRG	6310
AMP	62/31	USABLE AT 208V	64				
RATING	40C AMB-CONT	GREASE	POLYREX EM				
NEMA-NOM-EFF	93.6	PF	83	SER.F.	1.15		
HTR-VOLTS		HTR-AMPS		MAX. SPACE HEATER TEMP.			

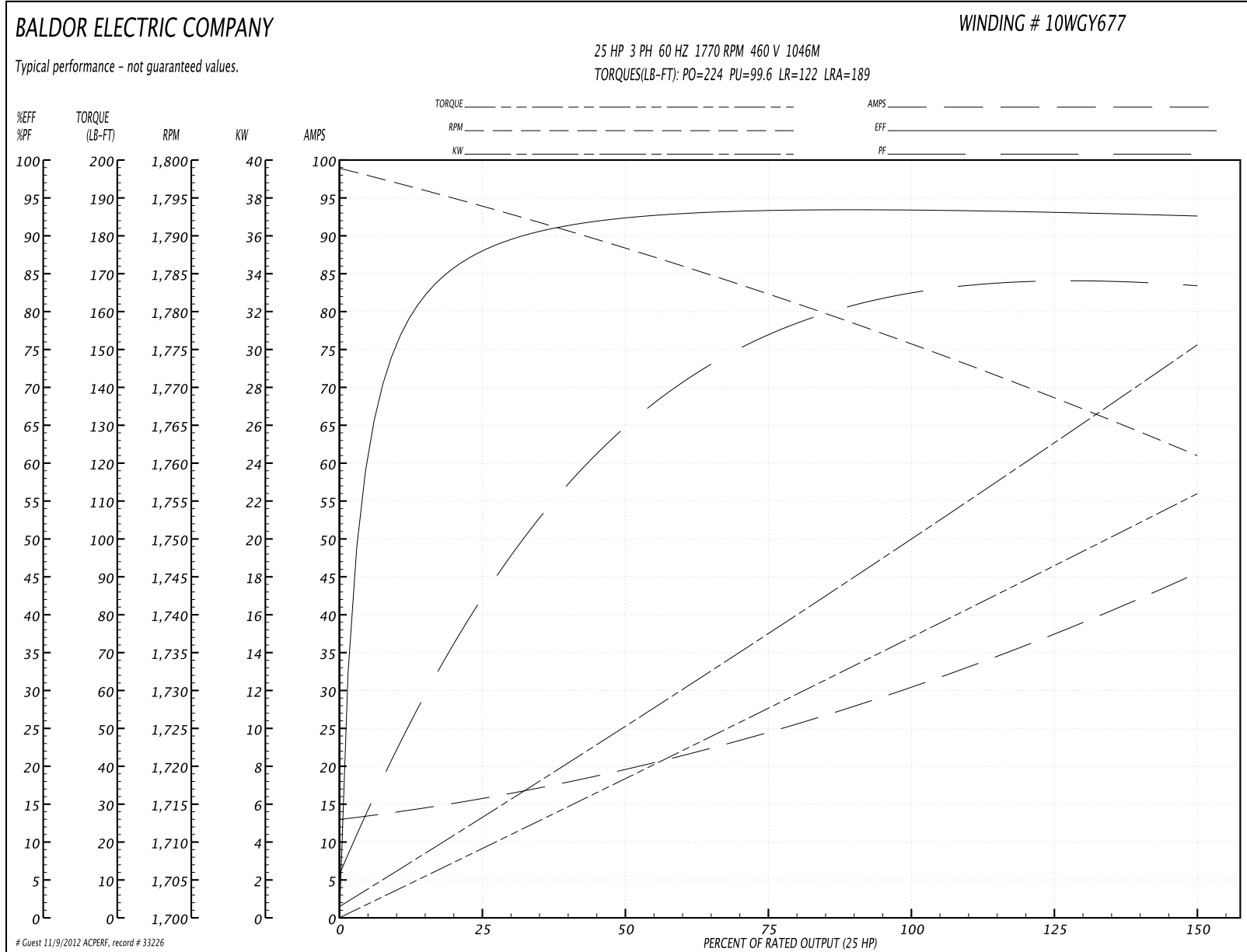
Parts List		
Part Number	Description	Quantity
SA191597	SA 10B001Y677G1	1.000 EA
RA179255	RA 10B001Y677G1	1.000 EA
S/P107-000-004	SUPER-E(284 FR. & UP)-CL PLANT,POLYREX E	1.000 EA
10CB3000SP	STD KO BOX MODEL 310,312,314 MTRS W/2.00	1.000 EA
10XN3118K12	5/16-18 X .75 GRADE 5, ZINC PLATED	4.000 EA
HW1001A31	LOCKWASHER 5/16, ZINC PLT.591 OD, .319 I	4.000 EA
WD1000B16	KPA-4C BURNDY TERMINAL	1.000 EA
51XF2520A08	SCREW, HEX SER SLT HD, ZN 1/4-20 X .50 L	1.000 EA
10EP1200A04	ENDPLATE, MACH	1.000 EA
HW1001A10	WASHER, #10 SPLT LK, ZN X	3.000 EA
10XN3816K76	3/8-16 X 4.75 HEX HD CAP SCREW, GRADE 5	4.000 EA
HW1001A38	LOCKWASHER 3/8, ZINC PLT .688 OD, .382 I	4.000 EA
HW1001A10	WASHER, #10 SPLT LK, ZN X	3.000 EA
HW5100A11	W3917-042 WVY WSHR (WB)	1.000 EA
10XN3118K32	5/16-18 X 2.00" HEX HD, GRADE 5	4.000 EA
HW1001A31	LOCKWASHER 5/16, ZINC PLT.591 OD, .319 I	4.000 EA
10EP1200A03	ENDPLATE, MACH PU	1.000 EA
10XN3816K76	3/8-16 X 4.75 HEX HD CAP SCREW, GRADE 5	4.000 EA
HW1001A38	LOCKWASHER 3/8, ZINC PLT .688 OD, .382 I	4.000 EA
10XN3118K32	5/16-18 X 2.00" HEX HD, GRADE 5	4.000 EA
HW1001A31	LOCKWASHER 5/16, ZINC PLT.591 OD, .319 I	4.000 EA
10CB3500SP	CONDUIT BOX LID, CAST	1.000 EA
51XW2520A12	.25-20 X .75, TAPTITE II, HEX WSHR SLTD	4.000 EA
HW2501H28	KEY, 1/2 SQ X 3.250	1.000 EA

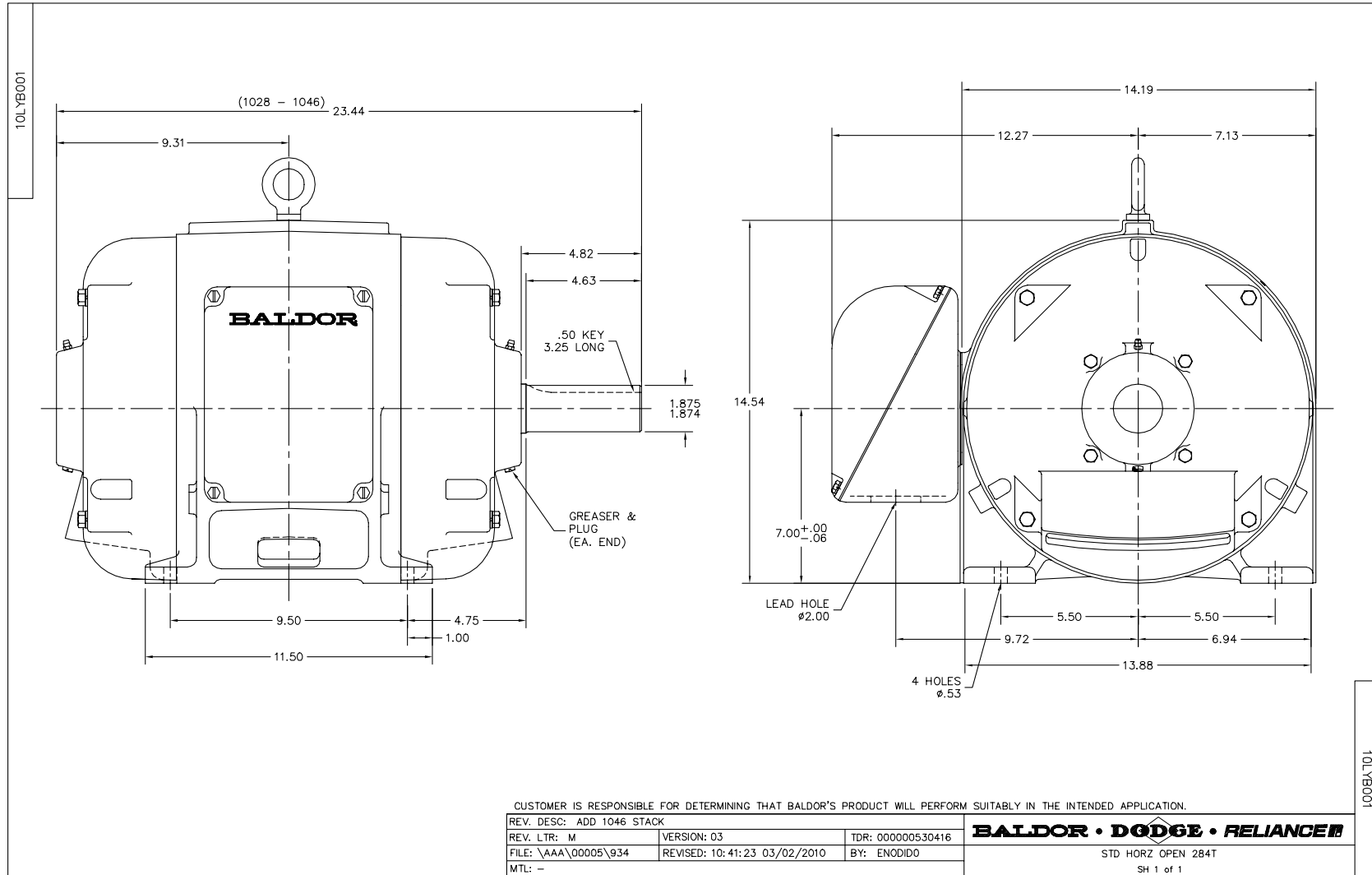
Parts List (continued)		
Part Number	Description	Quantity
LB1115	LABEL,LIFTING DEVICE	1.000 EA
LB5040	INSTRUCTION TAG, AC & DC	1.000 EA
HW4500A03	GREASE FITTING, .125 NPT 1610(ALEMITE) 8	1.000 EA
HW4500A20	1/8NPT SL PIPE PLUG	1.000 EA
HA4051A00	PLASTIC CAP FOR GREASE FITTING	1.000 EA
10AD2000A02	AIR DEFLECTOR, STAT	1.000 EA
10AD2000A02	AIR DEFLECTOR, STAT	1.000 EA
MJ1000A75	GREASE, POLYREX EM EXXON	0.130 LB
HW4500A03	GREASE FITTING, .125 NPT 1610(ALEMITE) 8	1.000 EA
HW4500A20	1/8NPT SL PIPE PLUG	1.000 EA
HA4051A00	PLASTIC CAP FOR GREASE FITTING	1.000 EA
MG1000Y03	WILKO 689.710 GOLD PAINT SUPER E	0.070 GA
85XU0407A04	#4-7 X 1/4 DRIVE PIN	4.000 EA
12XN1032A08	10-32X1/2 HEX HD SLTD	3.000 EA
12XN1032A08	10-32X1/2 HEX HD SLTD	3.000 EA
LB1125C02	SUPER-E (STOCK CTN LABEL SUPER-E WITH FL	4.000 EA
LB1357	ENERGY GUIDE LABEL (BOX LABEL)	1.000 SH
LC0005E02	SPL CONN.DIA./WARN.LABEL(LC0005/LB1119)	1.000 EA
NP2138L	ALUM SUPER-E UL CSA-EEV PREM CC (300	1.000 EA
10PA1000	PACKAGING GROUP COMBINED PRINT PK1023A06	1.000 EA

Performance Data at 460V, 60Hz, 25.0HP (Typical performance - Not guaranteed values)

General Characteristics							
Full Load Torque:	74.4 LB-FT			Start Configuration:	DOL		
No-Load Current:	13.4 Amps			Break-Down Torque:	224.0 LB-FT		
Line-line Res. @ 25°C.:	0.31051 Ohms A Ph / 0.0 Ohms B Ph			Pull-Up Torque:	99.6 LB-FT		
Temp. Rise @ Rated Load:	32 C			Locked-Rotor Torque:	122.0 LB-FT		
Temp. Rise @ S.F. Load:	38 C			Starting Current:	189.0 Amps		
Load Characteristics							
% of Rated Load	25	50	75	100	125	150	S.F.
Power Factor:	44.0	66.0	77.0	81.0	84.0	84.0	83.0
Efficiency:	88.2	92.6	93.6	93.6	93.3	92.5	93.4
Speed:	1794.0	1788.5	1782.2	1775.6	1768.9	1760.9	1772.0
Line Amperes:	15.2	19.2	24.6	31.0	37.4	45.3	34.8

Performance Graph at 460V, 60Hz, 25.0HP Typical performance - Not guaranteed values





CD0005

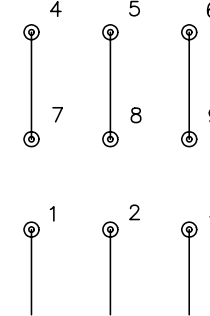


LOW VOLTAGE
(2Y)



LINE

HIGH VOLTAGE
(1Y)



LINE

NOTES:

1. INTERCHANGE ANY TWO LINE LEADS TO REVERSE ROTATION.
2. OPTIONAL THERMOSTATS ARE PROVIDED WHEN SPECIFIED.
3. ACTUAL NUMBER OF INTERNAL PARALLEL CIRCUITS MAY BE A MULTIPLE OF THOSE SHOWN ABOVE.
4. LEAD COLORS ARE OPTIONAL. LEADS MUST ALWAYS BE NUMBERED AS SHOWN.

REV. DESC: REVISE TO SHOW OPTIONAL COLORS			
REV. LTR: E	BY: JLP	REVISED: 01/19/99 10:15	TDR: 0171435
900000		FILE: AAA00005140	MDL: -
		MTL: -	

BALDOR ELECTRIC Co.

3PH, DV, 9 LEADS

CD0005