

BALDOR® • **RELIANCE**

Product Information Packet

EM2536T-G

30HP, 1180RPM, 3PH, 60HZ, 326T, 4084M, OPSB, F1

Copyright © All product information within this document is subject to Baldor Electric Company copyright © protection, unless otherwise noted.

| Part Detail | | | | | | | |
|-------------|------|-------------|-------|----------------|----------|---------------|------------|
| Revision: | B | Status: | PRD/A | Change #: | | Proprietary: | No |
| Type: | AC | Prod. Type: | 4084M | Elec. Spec: | 40WGX122 | CD Diagram: | |
| Enclosure: | OPSB | Mfg Plant: | | Mech. Spec: | 40E245 | Layout: | |
| Frame: | 326T | Mounting: | F1 | Poles: | 06 | Created Date: | 12-01-2011 |
| Base: | RG | Rotation: | R | Insulation: | H | Eff. Date: | 09-14-2012 |
| Leads: | 9#10 | Literature: | | Elec. Diagram: | | Replaced By: | |

Nameplate NP2138L

| | | | | | | | |
|--------------|--------------|----------------|------------|-------------------------|------|--------|------|
| CAT.NO. | EM2536T-G | P/N | | ENCLOSURE | OPSB | | |
| SPEC. | 40E245X122G1 | CC | 010A | FRAME | 326T | S/N | |
| HP | 30 | CLASS | H | HZ | 60 | | |
| RPM | 1180 | PH | 3 | DES | A | | |
| VOLT | 230/460 | KVA-CODE | H | ODE BRG | 6309 | DE BRG | 6312 |
| AMP | 76/38 | USABLE AT 208V | 80 | | | | |
| RATING | 40C AMB-CONT | GREASE | POLYREX EM | | | | |
| NEMA-NOM-EFF | 93.6 | PF | 79 | SER.F. | 1.15 | | |
| | | | | | | | |
| HTR-VOLTS | | HTR-AMPS | | MAX. SPACE HEATER TEMP. | | | |

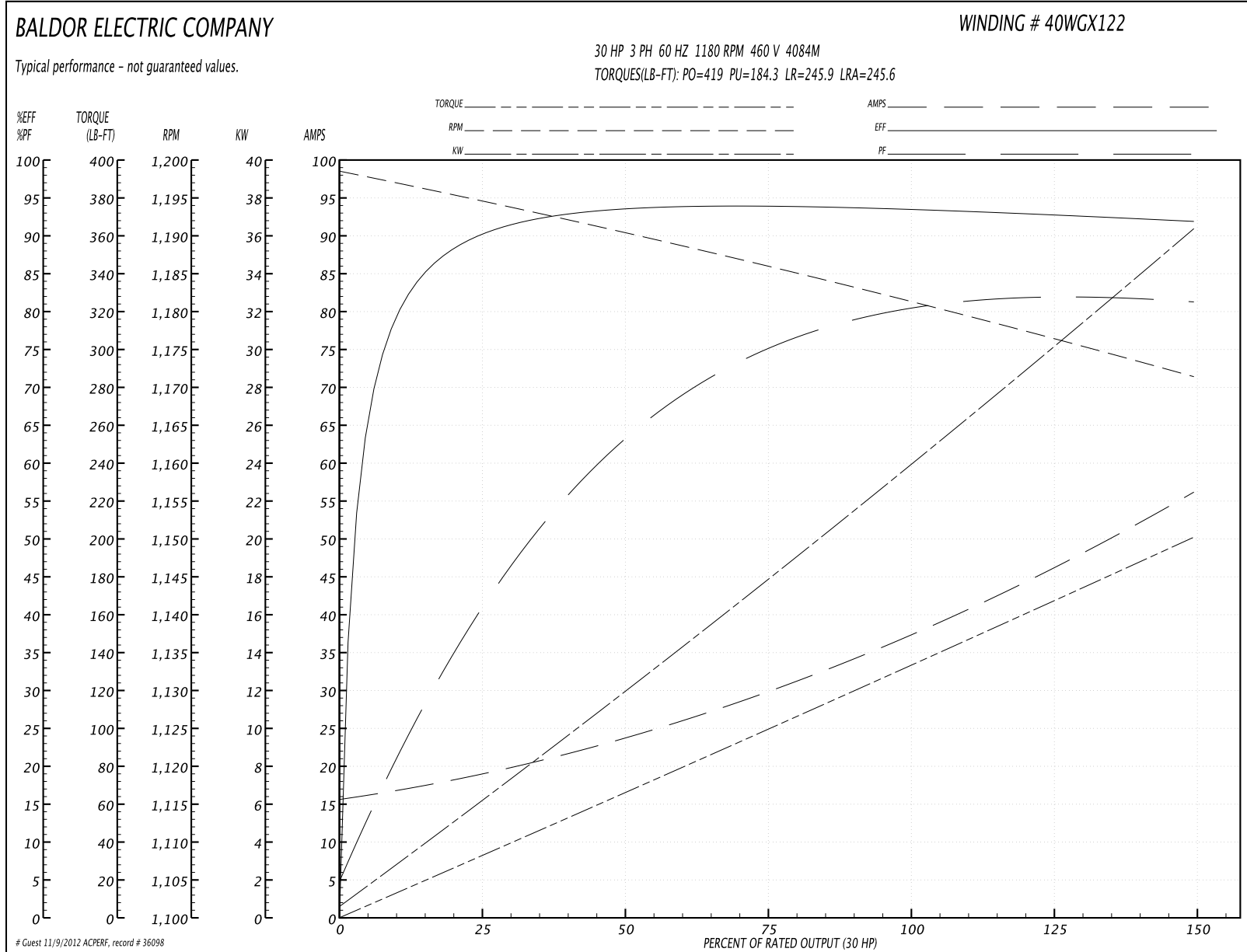
| Parts List | | |
|----------------|------------------------------------------|----------|
| Part Number | Description | Quantity |
| SA235126 | SA 40E245X122G1 | 1.000 EA |
| RA222089 | RA 40E245X122G1 | 1.000 EA |
| S/P107-000-004 | SUPER-E(284 FR. & UP)-CL PLANT,POLYREX E | 1.000 EA |
| HA6361A01 | LIFTING LUG FOR 37, 39 & 40 FRAME (AUTOP | 2.000 EA |
| HA6017A01 | CAST ADAPTOR | 1.000 EA |
| 19XW3118A12 | .31-18 X .75 HEX WASHER HEAD TAPTITE II | 2.000 EA |
| HW1001A31 | LOCKWASHER 5/16, ZINC PLT.591 OD, .319 I | 2.000 EA |
| 10CB3001 | CONDUIT BOX CAST W/2.500 LEAD HOLE | 1.000 EA |
| 19XW3118A12 | .31-18 X .75 HEX WASHER HEAD TAPTITE II | 4.000 EA |
| HW1001A31 | LOCKWASHER 5/16, ZINC PLT.591 OD, .319 I | 4.000 EA |
| WD1000B16 | KPA-4C BURNDY TERMINAL | 1.000 EA |
| 51XF2520A08 | SCREW, HEX SER SLT HD, ZN 1/4-20 X .50 L | 1.000 EA |
| 40EP3200A02 | STD FREP OPEN 309 BRG | 1.000 EA |
| HW5100A11 | W3917-042 WVY WSHR (WB) | 1.000 EA |
| BP5305 | SHAFT GRD BOLT THROUGH (SGR-68.4-3FH) | 1.000 EA |
| 40EP3201A04 | PUEP, MACH - OPEN - FOR 312 BRG W/RET. R | 1.000 EA |
| XY3816A12 | 3/8-16 FINISHED NUT | 8.000 EA |
| 10XN3118K40 | 5/16-18 X 2.50" HEX HD, GRADE 5 | 4.000 EA |
| HW1001A31 | LOCKWASHER 5/16, ZINC PLT.591 OD, .319 I | 4.000 EA |
| 10CB3500SP | CONDUIT BOX LID, CAST | 1.000 EA |
| 51XW2520A12 | .25-20 X .75, TAPTITE II, HEX WSHR SLTD | 4.000 EA |
| HW2501H33 | KEY, 1/2 SQ X 3.875 | 1.000 EA |
| LB1115 | LABEL,LIFTING DEVICE | 1.000 EA |
| LB5040 | INSTRUCTION TAG, AC & DC | 1.000 EA |

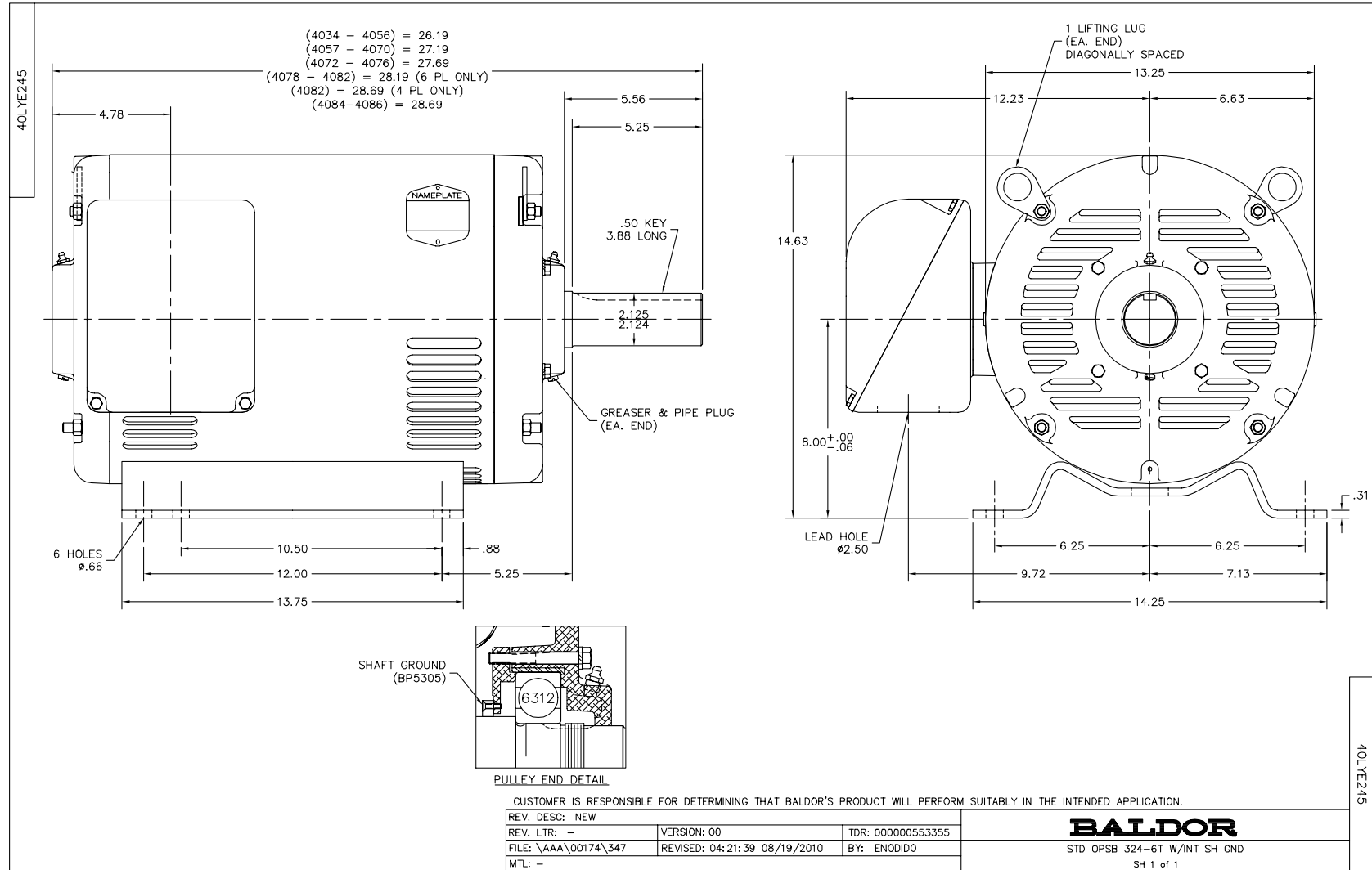
| Parts List (continued) | | |
|------------------------|------------------------------------------|----------|
| Part Number | Description | Quantity |
| HA4051A00 | PLASTIC CAP FOR GREASE FITTING | 1.000 EA |
| HW4500A03 | GREASE FITTING, .125 NPT 1610(ALEMITE) 8 | 1.000 EA |
| HW4500A20 | 1/8NPT SL PIPE PLUG | 1.000 EA |
| MJ1000A75 | GREASE, POLYREX EM EXXON | 0.050 LB |
| HA4051A00 | PLASTIC CAP FOR GREASE FITTING | 1.000 EA |
| HW4500A03 | GREASE FITTING, .125 NPT 1610(ALEMITE) 8 | 1.000 EA |
| HW4500A20 | 1/8NPT SL PIPE PLUG | 1.000 EA |
| HA3159A12 | THRUBOLT.38-16 X 21.50 LG, SEE ADD. DATA | 4.000 EA |
| MG1000Y03 | WILKO 689.710 GOLD PAINT SUPER E | 0.030 GA |
| 85XU0407A04 | #4-7 X 1/4 DRIVE PIN | 4.000 EA |
| 40AD2002A01 | LEXAN BAFFLE 40 FR OPEN | 1.000 EA |
| 40AD2002A01 | LEXAN BAFFLE 40 FR OPEN | 1.000 EA |
| LB1119 | WARNING LABEL | 1.000 EA |
| LB1125C02 | SUPER-E (STOCK CTN LABEL SUPER-E WITH FL | 4.000 EA |
| LB1357 | ENERGY GUIDE LABEL (BOX LABEL) | 1.000 SH |
| LC0005 | CONN.DIA.,TY M,9-LD,DUAL VOLT,REVERSING | 1.000 EA |
| NP2138L | ALUM SUPER-E UL CSA-EEV PREM CC (300 | 1.000 EA |
| 40PA1000 | PACKAGING GROUP | 1.000 EA |

Performance Data at 460V, 60Hz, 30.0HP (Typical performance - Not guaranteed values)

| General Characteristics | | | | | | | |
|--------------------------|--------------------------------|--------|--------|----------------------|-------------|--------|--------|
| Full Load Torque: | 132.0 LB-FT | | | Start Configuration: | DOL | | |
| No-Load Current: | 16.2 Amps | | | Break-Down Torque: | 419.0 LB-FT | | |
| Line-line Res. @ 25°C.: | 0.22 Ohms A Ph / 0.0 Ohms B Ph | | | Pull-Up Torque: | 184.3 LB-FT | | |
| Temp. Rise @ Rated Load: | 38 C | | | Locked-Rotor Torque: | 245.9 LB-FT | | |
| Temp. Rise @ S.F. Load: | 48 C | | | Starting Current: | 245.6 Amps | | |
| Load Characteristics | | | | | | | |
| % of Rated Load | 25 | 50 | 75 | 100 | 125 | 150 | S.F. |
| Power Factor: | 44.0 | 65.0 | 75.0 | 80.0 | 82.0 | 82.0 | 81.0 |
| Efficiency: | 90.3 | 93.4 | 93.8 | 93.6 | 92.9 | 92.0 | 93.2 |
| Speed: | 1194.0 | 1190.0 | 1186.0 | 1182.0 | 1177.0 | 1171.0 | 1179.0 |
| Line Amperes: | 18.3 | 23.4 | 30.0 | 37.5 | 46.1 | 55.8 | 42.7 |

Performance Graph at 460V, 60Hz, 30.0HP Typical performance - Not guaranteed values





CD0005

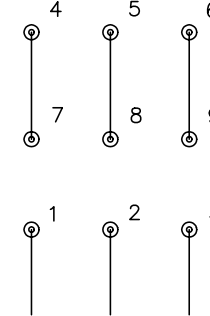


LOW VOLTAGE
(2Y)



LINE

HIGH VOLTAGE
(1Y)



LINE

NOTES:

1. INTERCHANGE ANY TWO LINE LEADS TO REVERSE ROTATION.
2. OPTIONAL THERMOSTATS ARE PROVIDED WHEN SPECIFIED.
3. ACTUAL NUMBER OF INTERNAL PARALLEL CIRCUITS MAY BE A MULTIPLE OF THOSE SHOWN ABOVE.
4. LEAD COLORS ARE OPTIONAL. LEADS MUST ALWAYS BE NUMBERED AS SHOWN.

| | | | |
|-------------------------------------------|---------|-------------------------|--------------|
| REV. DESC: REVISE TO SHOW OPTIONAL COLORS | | | |
| REV. LTR: E | BY: JLP | REVISED: 01/19/99 10:15 | TDR: 0171435 |
| 90000 | | FILE: AAA00005140 | MDL: - |
| | | MTL: - | |

BALDOR ELECTRIC Co.

3PH, DV, 9 LEADS

CD0005