

# **BALDOR® • RELIANCE**

## **Product Information Packet**

# **EM2551T**

**75HP, 1775RPM, 3PH, 60HZ, 365T, 4462M, OPSB, F1**

Copyright © All product information within this document is subject to Baldor Electric Company copyright © protection, unless otherwise noted.

Part Detail							
Revision:	C	Status:	PRD/A	Change #:		Proprietary:	No
Type:	AC	Prod. Type:	4462M	Elec. Spec:	44WGW013	CD Diagram:	
Enclosure:	OPSB	Mfg Plant:		Mech. Spec:	44E196	Layout:	
Frame:	365T	Mounting:	F1	Poles:	04	Created Date:	02-25-2010
Base:	RG	Rotation:	R	Insulation:	F	Eff. Date:	01-03-2012
Leads:	9#6	Literature:		Elec. Diagram:		Replaced By:	

Nameplate NP2138L							
CAT.NO.	EM2551T	P/N		ENCLOSURE	OPSB		
SPEC.	44E196W013G1	CC	010A	FRAME	365T	S/N	
HP	75	CLASS	F	HZ	60		
RPM	1775	PH	3	DES	B		
VOLT	230/460	KVA-CODE	G	ODE BRG	6312	DE BRG	6313
AMP	174/87	USABLE AT 208V					
RATING	40C AMB-CONT	GREASE	POLYREX EM				
NEMA-NOM-EFF	95	PF	85	SER.F.	1.15		
HTR-VOLTS		HTR-AMPS		MAX. SPACE HEATER TEMP.			

Parts List		
Part Number	Description	Quantity
SA191328	SA 44E196W013G1	1.000 EA
RA178988	RA 44E196W013G1	1.000 EA
S/P107-000-004	SUPER-E(284 FR. & UP)-CL PLANT,POLYREX E	1.000 EA
HA6731	LIFTING LUG FOR 44 FRAME MOTORS.	2.000 EA
HA6616A01	CAST ADAPTOR, 44 FRAME - NEMA 364-5 - MA	1.000 EA
19XW3816A16	.38-16 X 1.00 HEX WASHER HEAD TAPTITE II	2.000 EA
HW1001A38	LOCKWASHER 3/8, ZINC PLT .688 OD, .382 I	2.000 EA
10CB3002A02	CB 309 3.62 LD HOLE, .38 MTG HOLE & 3.50	1.000 EA
19XW3118A16	.31-18 HEX WASHER HEAD TAPTITE II 1.00 L	4.000 EA
HW1001A31	LOCKWASHER 5/16, ZINC PLT.591 OD, .319 I	4.000 EA
WD1000B16	KPA-4C BURNDY TERMINAL	1.000 EA
51XF2520A08	SCREW, HEX SER SLT HD, ZN 1/4-20 X .50 L	1.000 EA
44EP1203A02	FREP, MACH	1.000 EA
HW5100A15	W4997-050 WVY WSHR (WB)	1.000 EA
10XN3816K48	3/8-16 X 3 HEX HD CAP SCREW,Z/P	4.000 EA
HW1001A38	LOCKWASHER 3/8, ZINC PLT .688 OD, .382 I	4.000 EA
44EP1203A01	PU ENDPLATE, MACH	1.000 EA
XY5013A12	NUT,1/2-13,HEX,STEEL,ZINCPLATED	8.000 EA
10CB3500SP	CONDUIT BOX LID, CAST	1.000 EA
51XW2520A12	SCREW, HEX SER SLT HD, ZN, 1/4-20 X .75	4.000 EA
HW2501J36	KEY, 5/8 SQ X 4.250	1.000 EA
LB1115	LABEL,LIFTING DEVICE	1.000 EA
LB5040	INSTRUCTION TAG, AC & DC	1.000 EA
HW4500A03	GREASE FITTING, .125 NPT 1610(ALEMITE) 8	1.000 EA

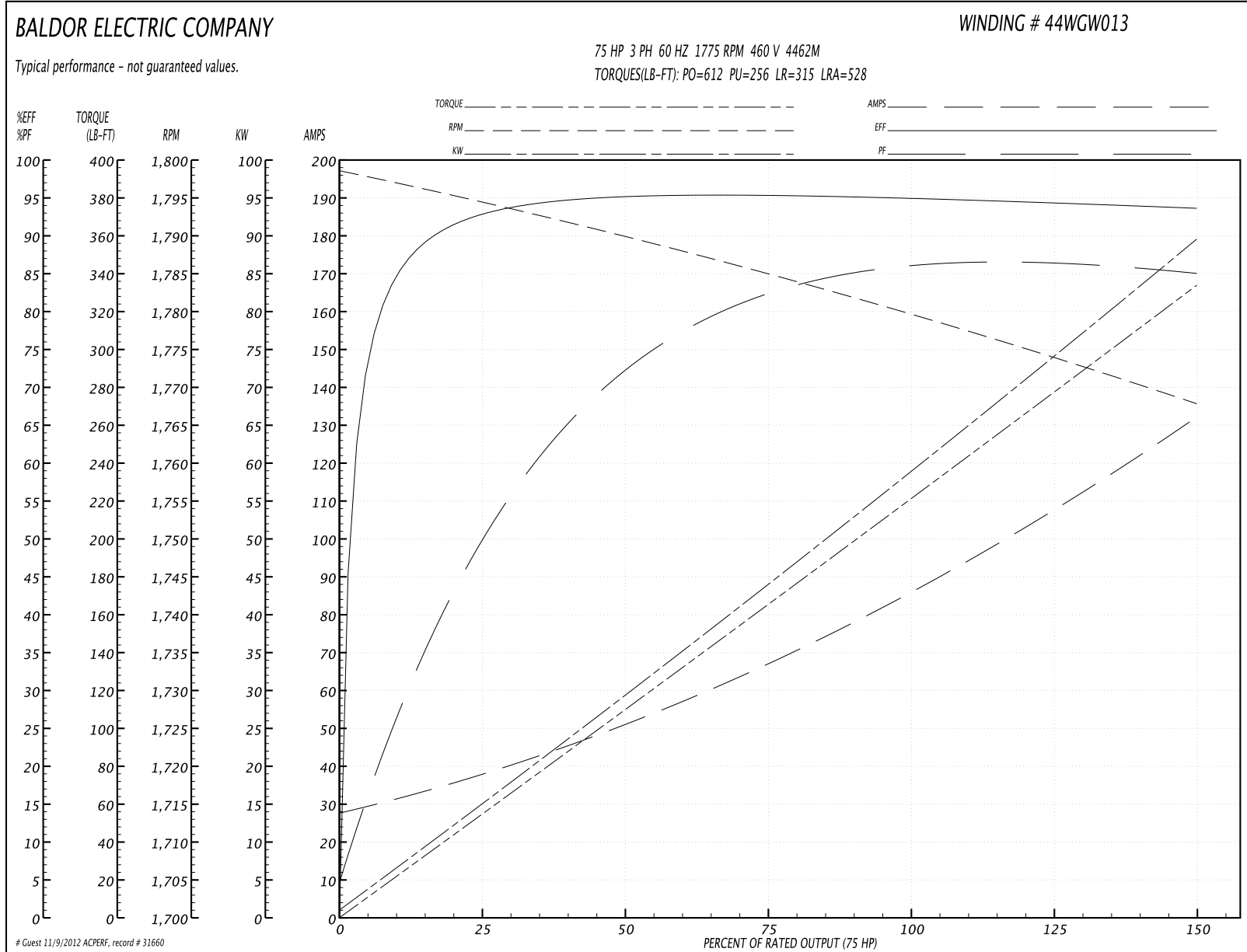
Parts List (continued)		
Part Number	Description	Quantity
HW4500A20	1/8NPT SL PIPE PLUG	1.000 EA
HA4051A00	PLASTIC CAP FOR GREASE FITTING	1.000 EA
MJ1000A75	GREASE, POLYREX EM EXXON	0.030 LB
HW4500A03	GREASE FITTING, .125 NPT 1610(ALEMITE) 8	1.000 EA
HW4500A20	1/8NPT SL PIPE PLUG	1.000 EA
HA4051A00	PLASTIC CAP FOR GREASE FITTING	1.000 EA
MG1000Y03	WILKO 689.710 GOLD PAINT SUPER E	0.080 GA
85XU0407A04	#4-7 X 1/4 DRIVE PIN	4.000 EA
44AD2001A02	BAFFLE 44 OPEN,"X"=1.50, SLOTTED BAND MT	1.000 EA
44AD2001A02	BAFFLE 44 OPEN,"X"=1.50, SLOTTED BAND MT	1.000 EA
HA3175A02	THRUBOLT STUD 1/2-13 X 24.500 - GRADE 2	4.000 EA
LB1119	WARNING LABEL	1.000 EA
LB1125C02	SUPER-E (STOCK CTN LABEL SUPER-E WITH FL	4.000 EA
LB1357	ENERGY GUIDE LABEL (BOX LABEL)	1.000 SH
LC0181	CONNECTION LABEL	1.000 EA
NP2138L	ALUM SUPER-E UL CSA-EEV PREM CC (300	1.000 EA
44PA1000	PK GP COMB PRINT 39-3/8X31X23-7/8	1.000 EA

Accessories		
Part Number	Description	Multiplier
44-1403	C FACE KIT 44/404 USC TSC 6313 BRG	A8

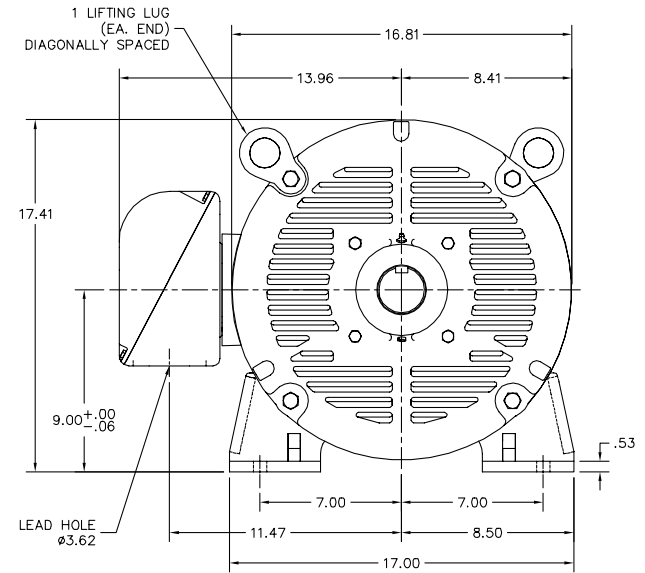
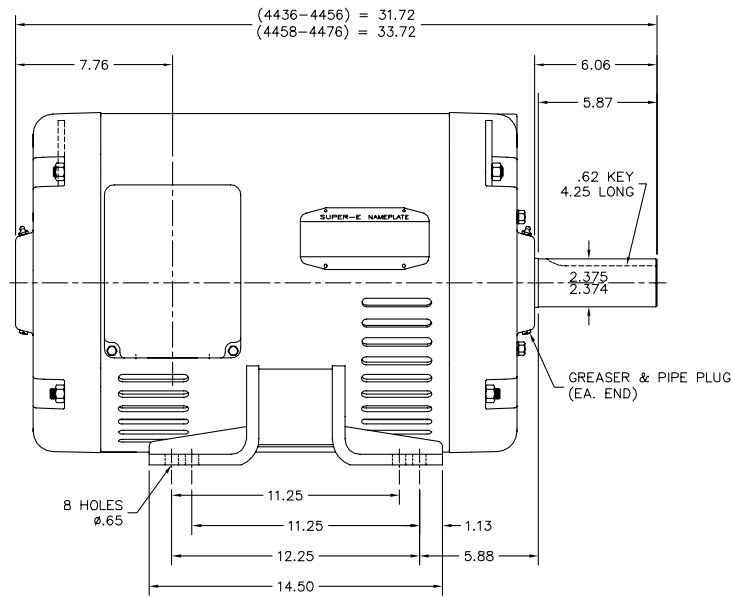
**Performance Data at 460V, 60Hz, 75.0HP (Typical performance - Not guaranteed values)**

General Characteristics							
Full Load Torque:	222.0 LB-FT			Start Configuration:	DOL		
No-Load Current:	29.2 Amps			Break-Down Torque:	612.0 LB-FT		
Line-line Res. @ 25°C.:	0.082554 Ohms A Ph / 0.0 Ohms B Ph			Pull-Up Torque:	256.0 LB-FT		
Temp. Rise @ Rated Load:	29 C			Locked-Rotor Torque:	315.0 LB-FT		
Temp. Rise @ S.F. Load:	36 C			Starting Current:	528.0 Amps		
Load Characteristics							
% of Rated Load	25	50	75	100	125	150	S.F.
Power Factor:	53.0	74.0	82.0	85.0	86.0	86.0	86.0
Efficiency:	93.0	95.2	95.4	95.1	94.5	93.8	94.7
Speed:	1794.0	1789.7	1785.1	1779.9	1773.9	1767.7	1776.0
Line Amperes:	36.0	50.0	67.7	87.1	109.0	131.0	100.0

Performance Graph at 460V, 60Hz, 75.0HP Typical performance - Not guaranteed values



44LYE196



44LYE196

CUSTOMER IS RESPONSIBLE FOR DETERMINING THAT BALDOR'S PRODUCT WILL PERFORM SUITABLY IN THE INTENDED APPLICATION.

REV. DESC: NEW	VERSION: 00	TDR: 000000505270
REV. LTR: -	REVISED: 07:37:02 07/13/2009	BY: ENGAMG0
FILE: \AAA\00164\097		
MTL: -		

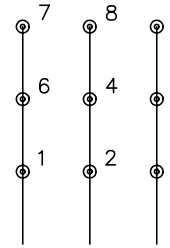
**BALDOR • DODGE • RELIANCE**  
 STD HORZ OPSB 364-5T, SUPER-E  
 SH 1 of 1



CD0180

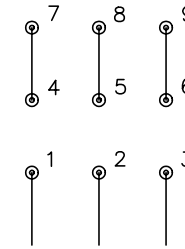


LOW VOLTAGE  
(2D)



LINE

HIGH VOLTAGE  
(1D)



LINE

NOTES:

1. INTERCHANGE ANY TWO LINE LEADS TO REVERSE ROTATION.
2. OPTIONAL THERMOSTATS ARE PROVIDED WHEN SPECIFIED.
3. ACTUAL NUMBER OF INTERNAL PARALLEL CIRCUITS MAY BE A MULTIPLE OF THOSE SHOWN ABOVE.
4. LEAD COLORS ARE OPTIONAL. LEADS MUST ALWAYS BE NUMBERED AS SHOWN.

REV. DESC: REVISE TO SHOW OPTIONAL COLORS			
REV. LTR: C	BY: JLP	REVISED: 01/21/99 2:28	TDR: 0171435
0810D0		FILE: AAA00005148	MDL: -
		MTL: -	

**BALDOR ELECTRIC Co.**

3PH, DV, 9 LEADS, DELTA CONNECTION

CD0180