

BALDOR® • **RELIANCE**

Product Information Packet

EM2555T-12

100HP, 1780RPM, 3PH, 60HZ, 404T, 4484M, OPSB, F

Copyright © All product information within this document is subject to Baldor Electric Company copyright © protection, unless otherwise noted.

Part Detail							
Revision:	A	Status:	PRD/A	Change #:		Proprietary:	No
Type:	AC	Prod. Type:	4484M	Elec. Spec:	44WGW316	CD Diagram:	
Enclosure:	OPSB	Mfg Plant:		Mech. Spec:	44E192	Layout:	
Frame:	404T	Mounting:	F1	Poles:	04	Created Date:	08-06-2010
Base:	RG	Rotation:	R	Insulation:	F	Eff. Date:	01-03-2012
Leads:	12#4	Literature:		Elec. Diagram:		Replaced By:	

Nameplate NP2138L

CAT.NO.	EM2555T-12	P/N		ENCLOSURE	OPSB		
SPEC.	44E192W316	CC	010A	FRAME	404T	S/N	
HP	100	CLASS	F	HZ	60		
RPM	1780	PH	3	DES	A		
VOLT	230/460	KVA-CODE	H	ODE BRG	6312	DE BRG	6316
AMP	236/118	USABLE AT 208V					
RATING	40C AMB-CONT	GREASE	POLYREX EM				
NEMA-NOM-EFF	95.4	PF	83	SER.F.	1.15		
HTR-VOLTS		HTR-AMPS		MAX. SPACE HEATER TEMP.			

Parts List		
Part Number	Description	Quantity
SA201362	SA 44E192W316	1.000 EA
RA188661	RA 44E192W316	1.000 EA
S/P107-000-004	SUPER-E(284 FR. & UP)-CL PLANT,POLYREX E	1.000 EA
HA6731	LIFTING LUG FOR 44 FRAME MOTORS.	2.000 EA
HA6648A01	CAST ADAPTER, 44 FRAME - NEMA 404-5 - MA	1.000 EA
19XW3816A16	.38-16 X 1.00 HEX WASHER HEAD TAPTITE II	2.000 EA
HW1001A38	LOCKWASHER 3/8, ZINC PLT .688 OD, .382 I	2.000 EA
18CB1006A04	CB 318 3.62 LD HOLE, .38 MTG HOLE & 3.88	1.000 EA
19XW3118A16	.31-18 HEX WASHER HEAD TAPTITE II 1.00 L	4.000 EA
HW1001A31	LOCKWASHER 5/16, ZINC PLT.591 OD, .319 I	4.000 EA
WD1000B25	BURNDY TERMINAL L125HP	1.000 EA
10XN3118K08	5/16-18 X .50 GRADE #5, STL, ZINC PLATE	1.000 EA
HW1001A31	LOCKWASHER 5/16, ZINC PLT.591 OD, .319 I	1.000 EA
44EP1203A02	FREP, MACH	1.000 EA
HW5100A15	W4997-050 WVY WSHR (WB)	1.000 EA
10XN3816K48	3/8-16 X 3 HEX HD CAP SCREW,Z/P	4.000 EA
HW1001A38	LOCKWASHER 3/8, ZINC PLT .688 OD, .382 I	4.000 EA
44EP1202A01	PU ENDPLATE, MACH.	1.000 EA
XY5013A12	NUT,1/2-13,HEX,STEEL,ZINCPLATED	8.000 EA
18CB1506A01	CB LID 318 FOR 18CB1006	1.000 EA
10XN3118K16	5/16-18 X 1" GRADE #5, STL, ZINC PLATE	4.000 EA
HW1001A31	LOCKWASHER 5/16, ZINC PLT.591 OD, .319 I	4.000 EA
HW2501K66	KEY, 3/4 SQ X 5.625	1.000 EA
LB1115	LABEL,LIFTING DEVICE	1.000 EA

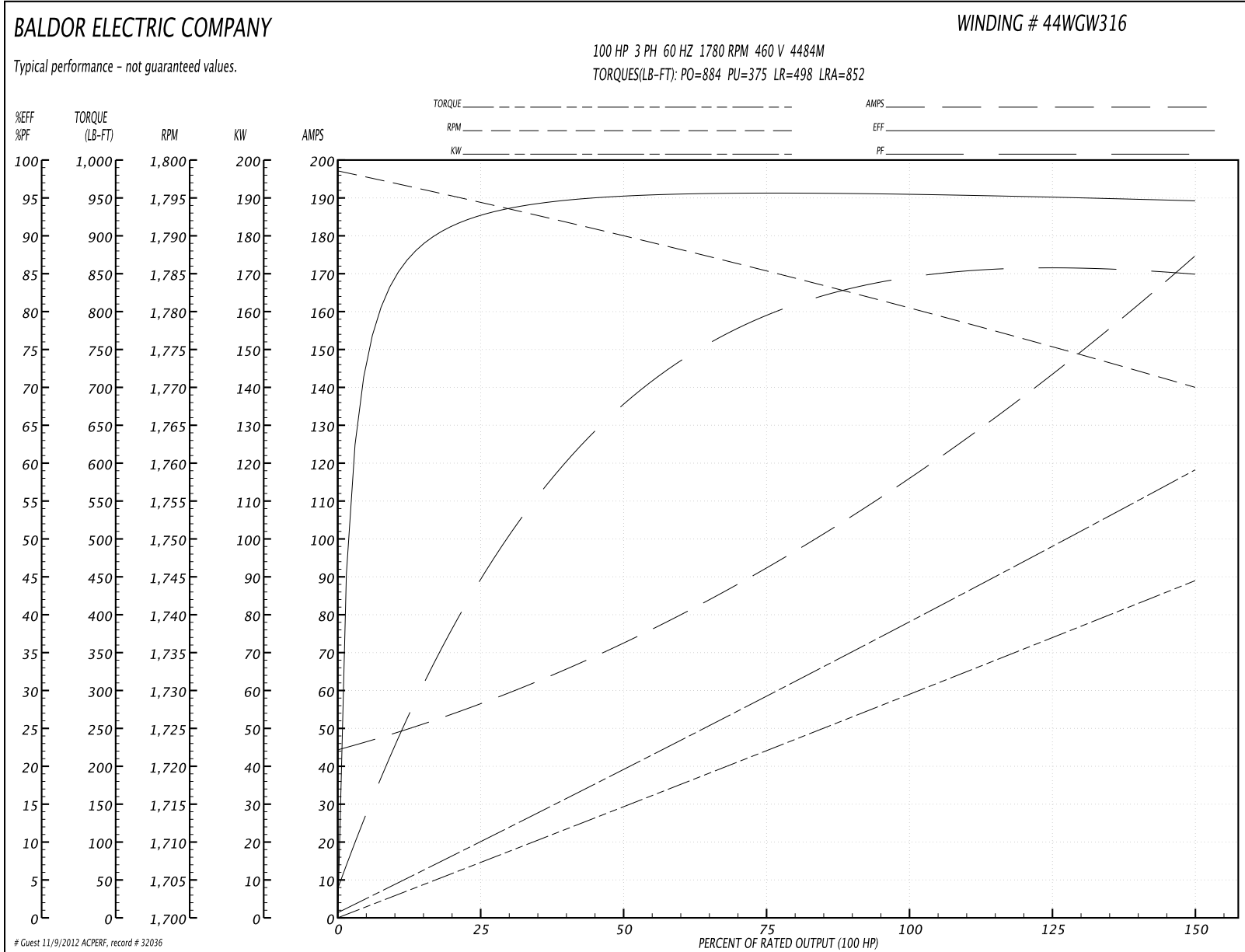
Parts List (continued)		
Part Number	Description	Quantity
LB5040	INSTRUCTION TAG, AC & DC	1.000 EA
HW4500A03	GREASE FITTING, .125 NPT 1610(ALEMITE) 8	1.000 EA
HW4500A20	1/8NPT SL PIPE PLUG	1.000 EA
HA4051A00	PLASTIC CAP FOR GREASE FITTING	1.000 EA
MJ1000A75	GREASE, POLYREX EM EXXON	0.030 LB
HW4500A03	GREASE FITTING, .125 NPT 1610(ALEMITE) 8	1.000 EA
HW4500A20	1/8NPT SL PIPE PLUG	1.000 EA
HA4051A00	PLASTIC CAP FOR GREASE FITTING	1.000 EA
MG1000Y03	WILKO 689.710 GOLD PAINT SUPER E	0.080 GA
85XU0407A04	#4-7 X 1/4 DRIVE PIN	4.000 EA
44AD2001A01	BAFFLE 44 OPEN,"X"=1.00, SLOTTED BAND MT	1.000 EA
44AD2001A01	BAFFLE 44 OPEN,"X"=1.00, SLOTTED BAND MT	1.000 EA
HA3175A04	THRUBOLT STUD 1/2-13 X 26.000 - GRADE 2	4.000 EA
LB1119	WARNING LABEL	1.000 EA
LB1125C02	SUPER-E (STOCK CTN LABEL SUPER-E WITH FL	4.000 EA
LB1357	ENERGY GUIDE LABEL (BOX LABEL)	1.000 SH
LC0104A01	CONNECTION DIAGRAM	1.000 EA
NP2138L	ALUM SUPER-E UL CSA-EEV PREM CC (300	1.000 EA
44PA1000	PK GP COMB PRINT 39-3/8X31X23-7/8	1.000 EA

Performance Data at 460V, 60Hz, 100.0HP (Typical performance - Not guaranteed values)

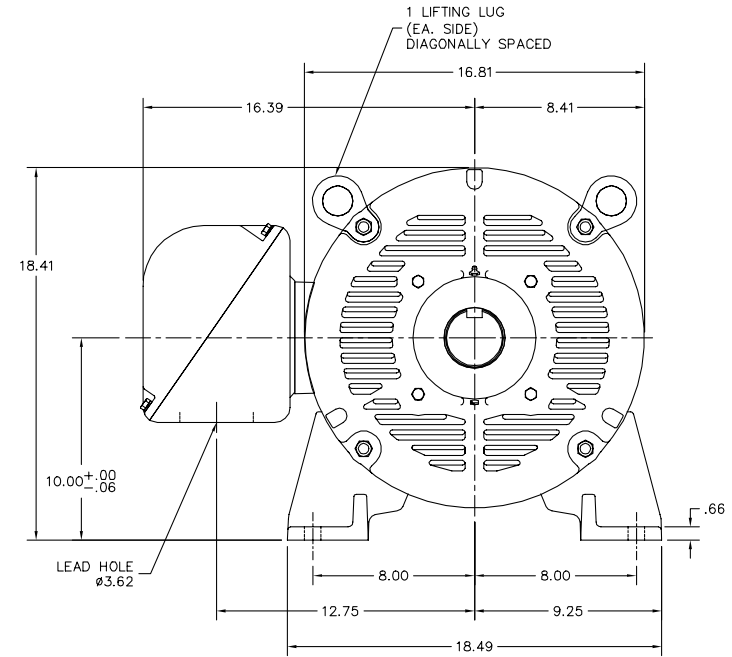
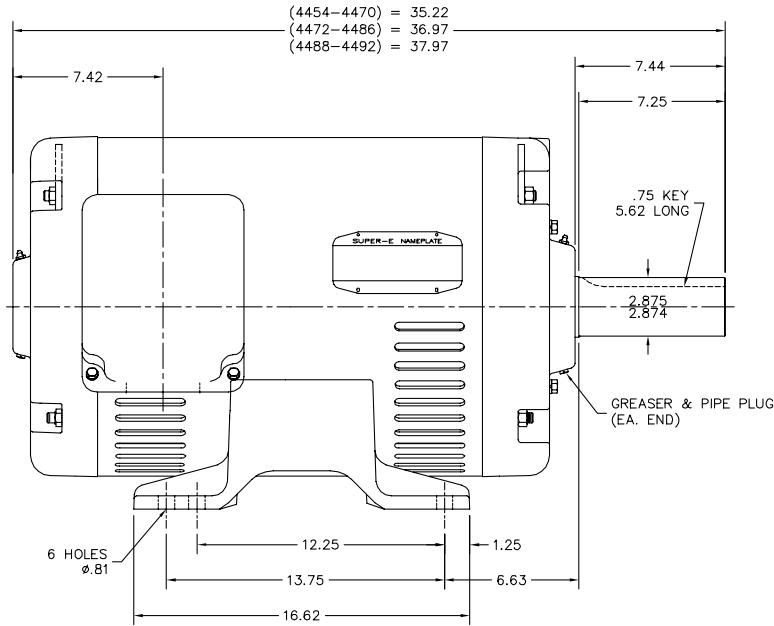
General Characteristics			
Full Load Torque:	295.0 LB-FT	Start Configuration:	DOL
No-Load Current:	46.4 Amps	Break-Down Torque:	884.0 LB-FT
Line-line Res. @ 25°C.:	0.045551 Ohms A Ph / 0.0 Ohms B Ph	Pull-Up Torque:	375.0 LB-FT
Temp. Rise @ Rated Load:	47 C	Locked-Rotor Torque:	498.0 LB-FT
Temp. Rise @ S.F. Load:	57 C	Starting Current:	852.0 Amps

Load Characteristics							
% of Rated Load	25	50	75	100	125	150	S.F.
Power Factor:	46.0	70.0	79.0	83.0	85.0	86.0	84.0
Efficiency:	92.6	95.3	95.7	95.6	95.2	94.6	95.4
Speed:	1794.0	1789.8	1785.5	1780.7	1775.5	1769.8	1778.0
Line Amperes:	54.2	70.6	92.8	118.0	145.0	173.0	134.0

Performance Graph at 460V, 60Hz, 100.0HP Typical performance - Not guaranteed values



44LYE192



44LYE192

CUSTOMER IS RESPONSIBLE FOR DETERMINING THAT BALDOR'S PRODUCT WILL PERFORM SUITABLY IN THE INTENDED APPLICATION.

REV. DESC: NEW	VERSION: 00	TDR: 000000505124
REV. LTR: -	REVISED: 07:18:29 07/10/2009	BY: ENGAMGO
FILE: \AAA\00164\040		
MTL: -		

BALDOR • DODGE • RELIANCE

STD HORZ OPSB 404-5T, SUPER-E

SH 1 of 1

