

BALDOR® • **RELIANCE**

Product Information Packet

EM2555T-5

100HP, 1780RPM, 3PH, 60HZ, 404T, 4484M, OPSB, F

Copyright © All product information within this document is subject to Baldor Electric Company copyright © protection, unless otherwise noted.

Part Detail							
Revision:	A	Status:	PRD/A	Change #:		Proprietary:	No
Type:	AC	Prod. Type:	4484M	Elec. Spec:	44WGW315	CD Diagram:	
Enclosure:	OPSB	Mfg Plant:		Mech. Spec:	44E012	Layout:	
Frame:	404T	Mounting:	F1	Poles:	04	Created Date:	08-06-2010
Base:	RG	Rotation:	R	Insulation:	F	Eff. Date:	12-29-2011
Leads:	3#4	Literature:		Elec. Diagram:		Replaced By:	

Nameplate NP2138L							
CAT.NO.	EM2555T-5	P/N		ENCLOSURE	OPSB		
SPEC.	44E012W315G1	CC	010A	FRAME	404T	S/N	
HP	100	CLASS	F	HZ	60		
RPM	1780	PH	3	DES	A		
VOLT	575	KVA-CODE	H	ODE BRG	6312	DE BRG	6316
AMP	93	USABLE AT 208V					
RATING	40C AMB-CONT	GREASE	POLYREX EM				
NEMA-NOM-EFF	95.4	PF	83	SER.F.	1.15		
HTR-VOLTS		HTR-AMPS		MAX. SPACE HEATER TEMP.			

Parts List		
Part Number	Description	Quantity
SA201363	SA 44E012W315G1	1.000 EA
RA188662	RA 44E012W315G1	1.000 EA
S/P107-000-004	SUPER-E(284 FR. & UP)-CL PLANT,POLYREX E	1.000 EA
HA6731	LIFTING LUG FOR 44 FRAME MOTORS.	2.000 EA
HA6648A01	CAST ADAPTER, 44 FRAME - NEMA 404-5 - MA	1.000 EA
19XW3816A16	.38-16 X 1.00 HEX WASHER HEAD TAPTITE II	2.000 EA
HW1001A38	LOCKWASHER 3/8, ZINC PLT .688 OD, .382 I	2.000 EA
18CB1006A04	CB 318 3.62 LD HOLE, .38 MTG HOLE & 3.88	1.000 EA
19XW3118A16	.31-18 HEX WASHER HEAD TAPTITE II 1.00 L	4.000 EA
HW1001A31	LOCKWASHER 5/16, ZINC PLT.591 OD, .319 I	4.000 EA
WD1000B25	BURNDY TERMINAL L125HP	1.000 EA
10XN3118K08	5/16-18 X .50 GRADE #5, STL, ZINC PLATE	1.000 EA
HW1001A31	LOCKWASHER 5/16, ZINC PLT.591 OD, .319 I	1.000 EA
44EP1203A02	FREP, MACH	1.000 EA
HA4051A00	PLASTIC CAP FOR GREASE FITTING	1.000 EA
HW5100A15	W4997-050 WVY WSHR (WB)	1.000 EA
10XN3816K48	3/8-16 X 3 HEX HD CAP SCREW,Z/P	4.000 EA
HW1001A38	LOCKWASHER 3/8, ZINC PLT .688 OD, .382 I	4.000 EA
44EP1202A01	PU ENDPLATE, MACH.	1.000 EA
HA4051A00	PLASTIC CAP FOR GREASE FITTING	1.000 EA
XY5013A12	NUT,1/2-13,HEX,STEEL,ZINCPLATED	8.000 EA
18CB1506A01	CB LID 318 FOR 18CB1006	1.000 EA
10XN3118K16	5/16-18 X 1" GRADE #5, STL, ZINC PLATE	4.000 EA
HW1001A31	LOCKWASHER 5/16, ZINC PLT.591 OD, .319 I	4.000 EA

Parts List (continued)		
Part Number	Description	Quantity
HW2501K66	KEY, 3/4 SQ X 5.625	1.000 EA
LB1115	LABEL,LIFTING DEVICE	1.000 EA
LB5040	INSTRUCTION TAG, AC & DC	1.000 EA
HW4500A03	GREASE FITTING, .125 NPT 1610(ALEMITE) 8	1.000 EA
HW4500A20	1/8NPT SL PIPE PLUG	1.000 EA
HA4051A00	PLASTIC CAP FOR GREASE FITTING	1.000 EA
MJ1000A75	GREASE, POLYREX EM EXXON	0.030 LB
HW4500A03	GREASE FITTING, .125 NPT 1610(ALEMITE) 8	1.000 EA
HW4500A20	1/8NPT SL PIPE PLUG	1.000 EA
HA4051A00	PLASTIC CAP FOR GREASE FITTING	1.000 EA
MG1000Y03	WILKO 689.710 GOLD PAINT SUPER E	0.080 GA
85XU0407A04	#4-7 X 1/4 DRIVE PIN	4.000 EA
44AD2001A01	BAFFLE 44 OPEN,"X"=1.00, SLOTTED BAND MT	1.000 EA
44AD2001A01	BAFFLE 44 OPEN,"X"=1.00, SLOTTED BAND MT	1.000 EA
HA3175A04	THRUBOLT STUD 1/2-13 X 26.000 - GRADE 2	4.000 EA
LB1119	WARNING LABEL	1.000 EA
LB1125C02	SUPER-E (STOCK CTN LABEL SUPER-E WITH FL	4.000 EA
LB1357	ENERGY GUIDE LABEL (BOX LABEL)	1.000 SH
LC0006	CONNECTION LABEL	1.000 EA
NP2138L	ALUM SUPER-E UL CSA-EEV PREM CC (300	1.000 EA
44PA1000	PK GP COMB PRINT 39-3/8X31X23-7/8	1.000 EA

Performance Data at 575V, 60Hz, 100.0HP (Typical performance - Not guaranteed values)

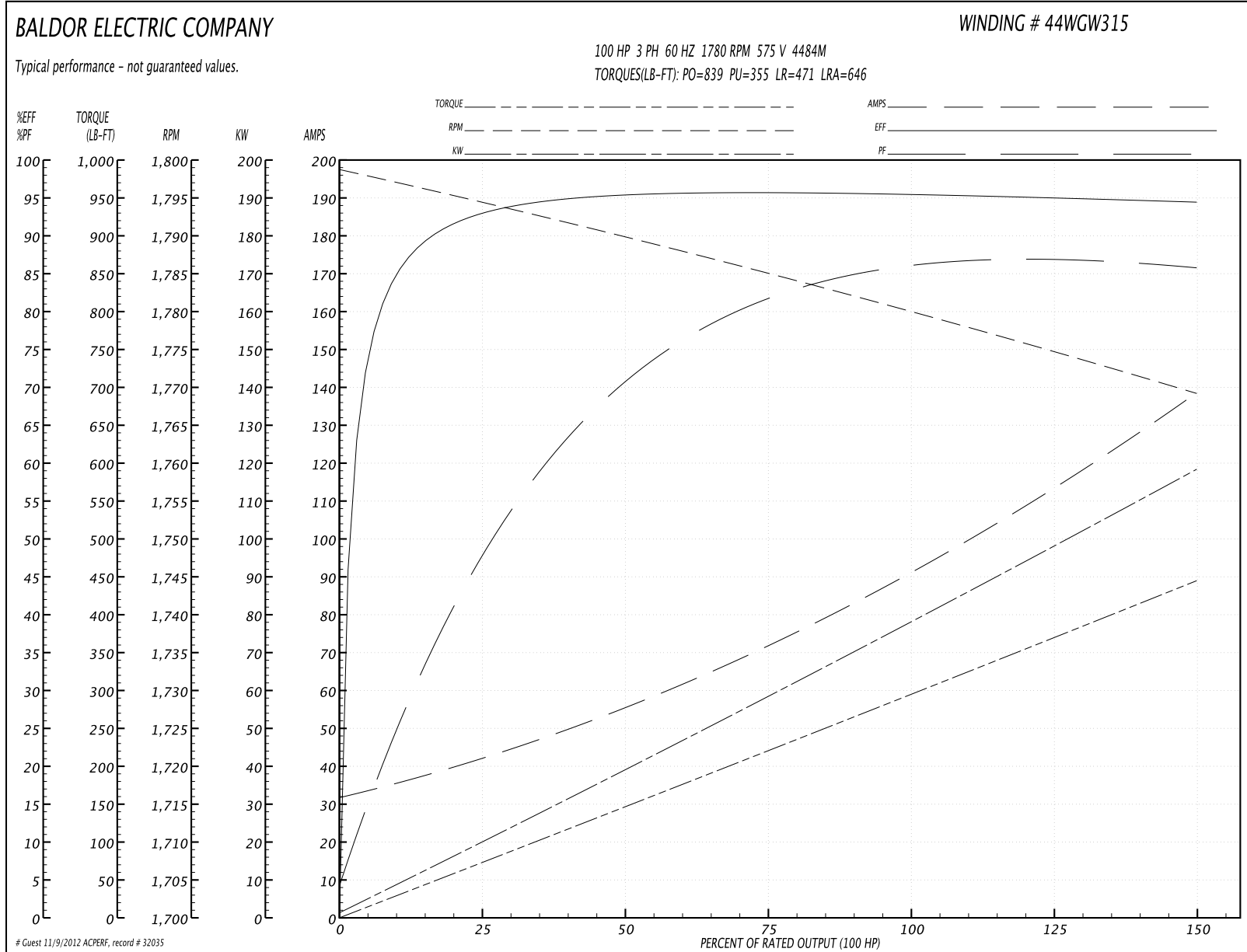
General Characteristics

Full Load Torque:	295.0 LB-FT	Start Configuration:	DOL
No-Load Current:	33.5 Amps	Break-Down Torque:	839.0 LB-FT
Line-line Res. @ 25°C.:	0.0697 Ohms A Ph / 0.0 Ohms B Ph	Pull-Up Torque:	355.0 LB-FT
Temp. Rise @ Rated Load:	47 C	Locked-Rotor Torque:	471.0 LB-FT
Temp. Rise @ S.F. Load:	57 C	Starting Current:	646.0 Amps

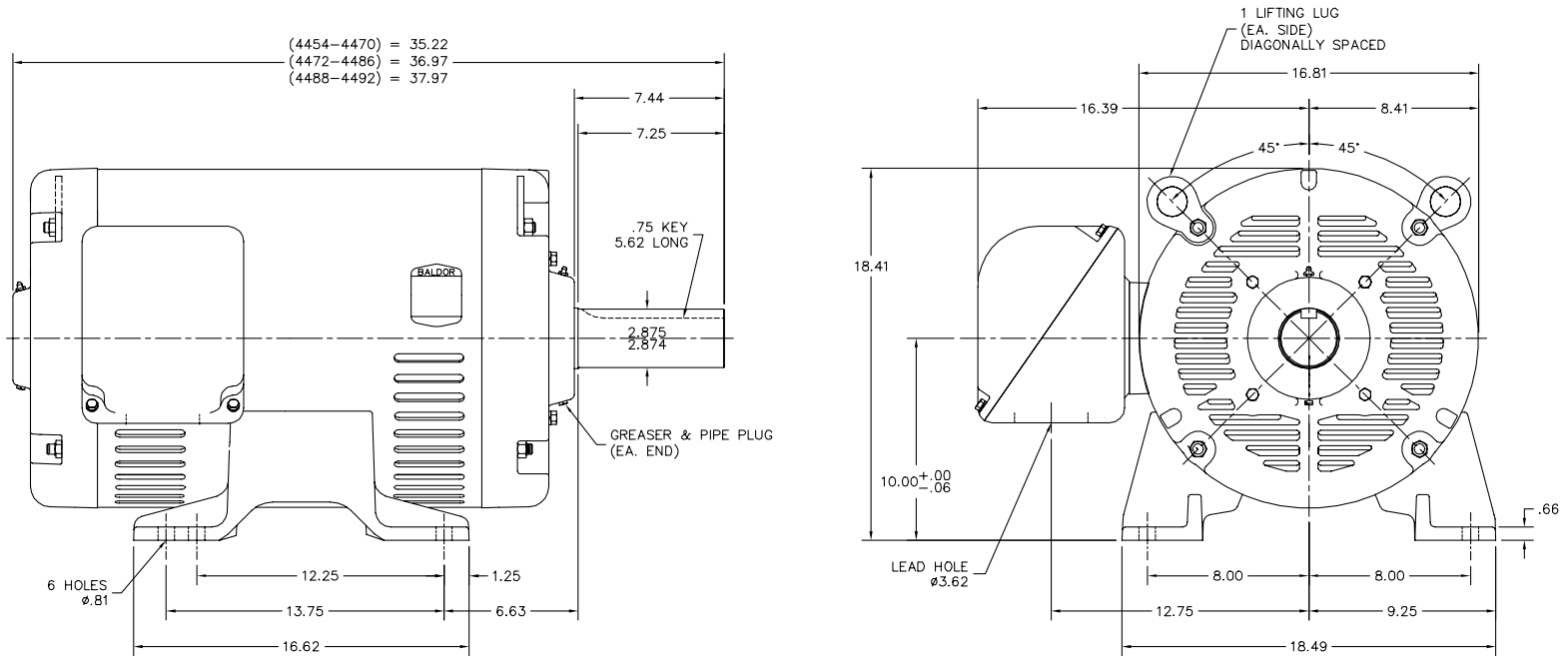
Load Characteristics

% of Rated Load	25	50	75	100	125	150	S.F.
Power Factor:	50.0	73.0	81.0	85.0	86.0	87.0	86.0
Efficiency:	92.6	95.4	95.6	95.5	95.1	94.4	95.3
Speed:	1794.0	1790.0	1785.0	1780.0	1775.0	1769.0	1777.0
Line Amperes:	40.1	53.9	72.1	92.7	115.0	137.0	106.0

Performance Graph at 575V, 60Hz, 100.0HP Typical performance - Not guaranteed values



44LYE012



CUSTOMER IS RESPONSIBLE FOR DETERMINING THAT MOTOR PERFORMANCE IS SUITABLE IN THE APPLICATION.

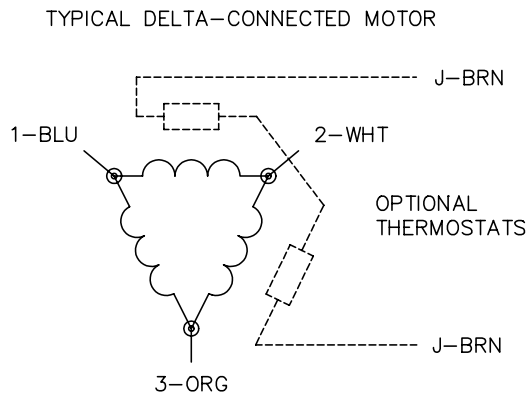
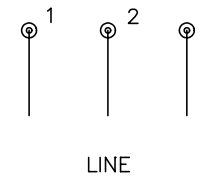
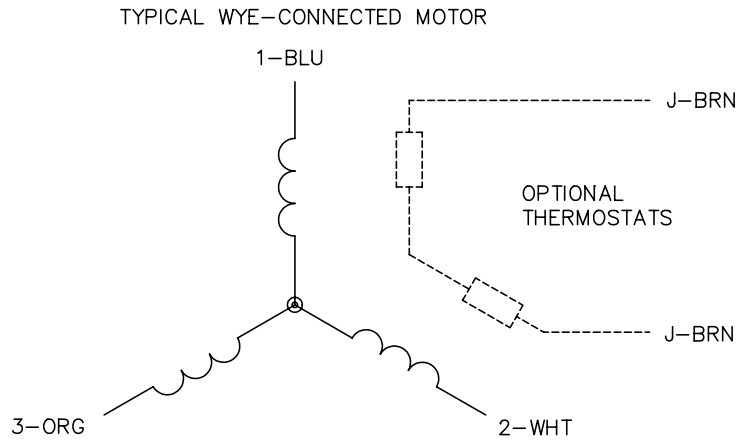
REV. DESC: CORRECT THE SPELLING OF "LIFTING"		
REV. LTR: F	VERSION: 02	TDR: 000000435949
FILE: \AAA\00040\894	REVISED: 15: 44: 23 06/26/2007	BY: ENCHRC0
MTL: -		

Baldor • Dodge • Reliance

STD HORZ OPSB 404-5T

44LYE012

CD0006



NOTES:

1. THREE LEAD MOTOR MAY BE EITHER WYE CONNECTED OR DELTA CONNECTED.
2. INTERCHANGE ANY TWO LINE LEADS TO REVERSE ROTATION.
3. OPTIONAL THERMOSTATS ARE PROVIDED WHEN SPECIFIED.
4. ACTUAL NUMBER OF INTERNAL PARALLEL CIRCUITS MAY VARY.
5. LEAD COLORS ARE OPTIONAL. LEADS MUST BE NUMBERED AS SHOWN.

REV. DESC: REVISE TO SHOW OPTIONAL COLORS			
REV. LTR: D	BY: JLP	REVISED: 01/21/99 4:02	TDR: 0171435
9000D		FILE: AAA00005141	MDL: -
		MTL: -	

BALDOR ELECTRIC Co.

3PH, SV, 3 LEADS, WYE OR DELTA CONNECTED

CD0006