

# **BALDOR**® • **RELIANCE**

## **Product Information Packet**

# **EM2555T**

**100HP, 1780RPM, 3PH, 60HZ, 404T, 4484M, OPSB, F**

Copyright © All product information within this document is subject to Baldor Electric Company copyright © protection, unless otherwise noted.

Part Detail							
Revision:	A	Status:	PRD/A	Change #:		Proprietary:	No
Type:	AC	Prod. Type:	4484M	Elec. Spec:	44WGW308	CD Diagram:	
Enclosure:	OPSB	Mfg Plant:		Mech. Spec:	44E057	Layout:	
Frame:	404T	Mounting:	F1	Poles:	04	Created Date:	08-06-2010
Base:	RG	Rotation:	R	Insulation:	F	Eff. Date:	12-29-2011
Leads:	9#4	Literature:		Elec. Diagram:		Replaced By:	

**Nameplate NP2138L**

CAT.NO.	EM2555T	P/N		ENCLOSURE	OPSB		
SPEC.	44E057W308G1	CC	010A	FRAME	404T	S/N	
HP	100	CLASS	F	HZ	60		
RPM	1780	PH	3	DES	A		
VOLT	230/460	KVA-CODE	H	ODE BRG	6312	DE BRG	6316
AMP	236/118	USABLE AT 208V					
RATING	40C AMB-CONT	GREASE	POLYREX EM				
NEMA-NOM-EFF	95.4	PF	83	SER.F.	1.15		
HTR-VOLTS		HTR-AMPS		MAX. SPACE HEATER TEMP.			

Parts List		
Part Number	Description	Quantity
SA201361	SA 44E057W308G1	1.000 EA
RA188660	RA 44E057W308G1	1.000 EA
S/P107-000-004	SUPER-E(284 FR. & UP)-CL PLANT,POLYREX E	1.000 EA
HA6731	LIFTING LUG FOR 44 FRAME MOTORS.	2.000 EA
HA6648A01	CAST ADAPTER, 44 FRAME - NEMA 404-5 - MA	1.000 EA
19XW3816A12	.38-16 X .75 HEX WASHER HEAD TAPTITE II	2.000 EA
HW1001A38	LOCKWASHER 3/8, ZINC PLT .688 OD, .382 I	2.000 EA
18CB1006A04	CB 318 3.62 LD HOLE, .38 MTG HOLE & 3.88	1.000 EA
19XW3118A16	.31-18 HEX WASHER HEAD TAPTITE II 1.00 L	4.000 EA
HW1001A31	LOCKWASHER 5/16, ZINC PLT.591 OD, .319 I	4.000 EA
WD1000B25	BURNDY TERMINAL L125HP	1.000 EA
10XN3118K08	5/16-18 X .50 GRADE #5, STL, ZINC PLATE	1.000 EA
HW1001A31	LOCKWASHER 5/16, ZINC PLT.591 OD, .319 I	1.000 EA
44EP1203A02	FREP, MACH	1.000 EA
HW5100A15	W4997-050 WVY WSHR (WB)	1.000 EA
10XN3816K48	3/8-16 X 3 HEX HD CAP SCREW,Z/P	4.000 EA
HW1001A38	LOCKWASHER 3/8, ZINC PLT .688 OD, .382 I	4.000 EA
44EP1202A01	PU ENDPLATE, MACH.	1.000 EA
XY5013A12	NUT,1/2-13,HEX,STEEL,ZINCPLATED	8.000 EA
18CB1506A01	CB LID 318 FOR 18CB1006	1.000 EA
10XN3118K16	5/16-18 X 1" GRADE #5, STL, ZINC PLATE	4.000 EA
HW1001A31	LOCKWASHER 5/16, ZINC PLT.591 OD, .319 I	4.000 EA
HW2501K66	KEY, 3/4 SQ X 5.625	1.000 EA
LB1115	LABEL,LIFTING DEVICE	1.000 EA

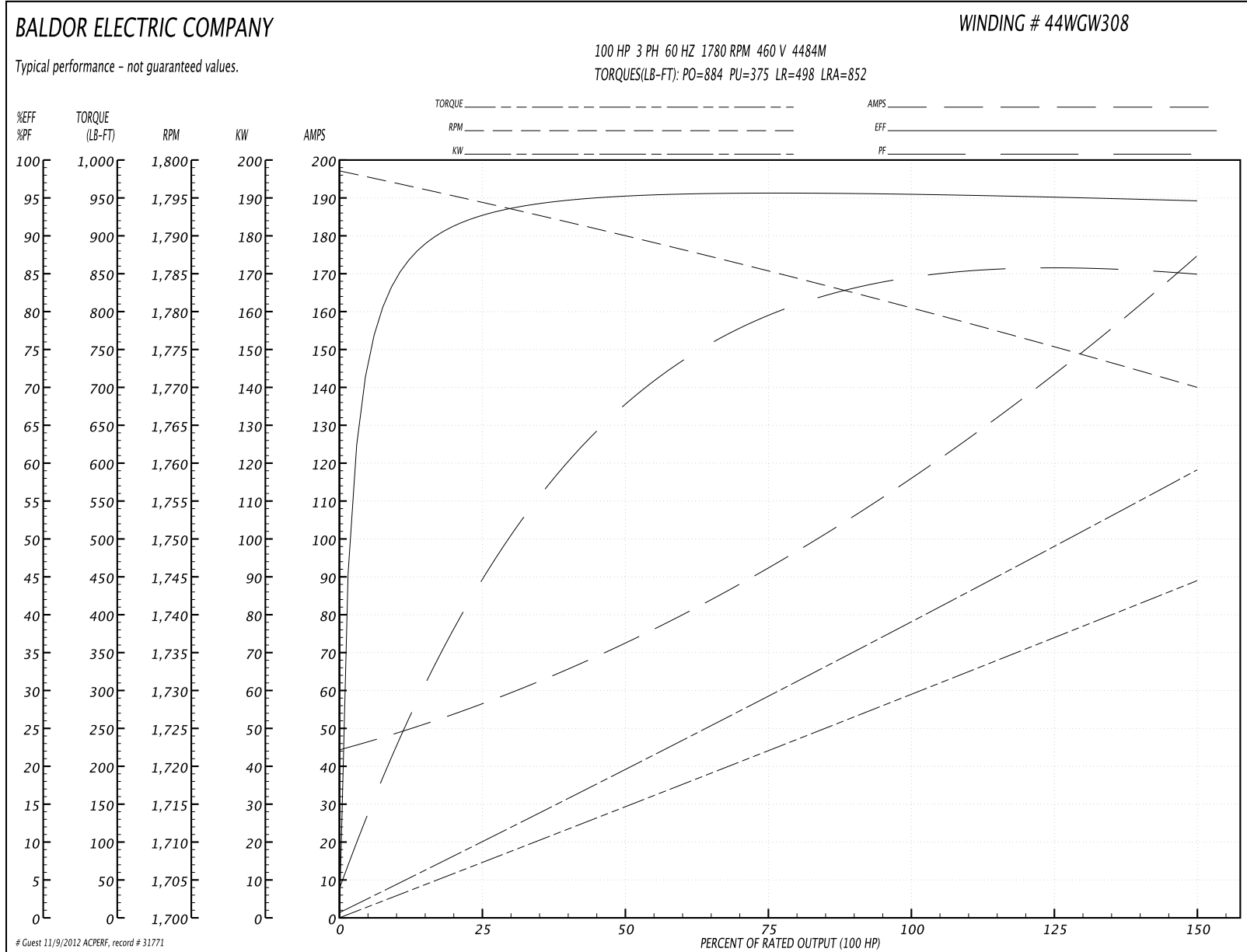
Parts List (continued)		
Part Number	Description	Quantity
HA4051A00	PLASTIC CAP FOR GREASE FITTING	1.000 EA
HW4500A03	GREASE FITTING, .125 NPT 1610(ALEMITE) 8	1.000 EA
HW4500A20	1/8NPT SL PIPE PLUG	1.000 EA
MJ1000A75	GREASE, POLYREX EM EXXON	0.030 LB
HA4051A00	PLASTIC CAP FOR GREASE FITTING	1.000 EA
HW4500A03	GREASE FITTING, .125 NPT 1610(ALEMITE) 8	1.000 EA
HW4500A20	1/8NPT SL PIPE PLUG	1.000 EA
MG1000Y03	WILKO 689.710 GOLD PAINT SUPER E	0.080 GA
85XU0407A04	#4-7 X 1/4 DRIVE PIN	4.000 EA
44AD2003A01	BAFFLE PLATE 44 OPSB, "X" = -.470, "Y" =	1.000 EA
44AD2003A01	BAFFLE PLATE 44 OPSB, "X" = -.470, "Y" =	1.000 EA
HA3175A03	THRUBOLT STUD 1/2-13 X 24.250 - GRADE 2	4.000 EA
LB1119	WARNING LABEL	1.000 EA
LB1125C02	SUPER-E (STOCK CTN LABEL SUPER-E WITH FL	4.000 EA
LB1357	ENERGY GUIDE LABEL (BOX LABEL)	1.000 SH
LC0181	CONNECTION LABEL	1.000 EA
LB5040	INSTRUCTION TAG, AC & DC	1.000 EA
NP2138L	ALUM SUPER-E UL CSA-EEV PREM CC (300	1.000 EA
44PA1000	PK GP COMB PRINT 39-3/8X31X23-7/8	1.000 EA

**Performance Data at 460V, 60Hz, 100.0HP (Typical performance - Not guaranteed values)**

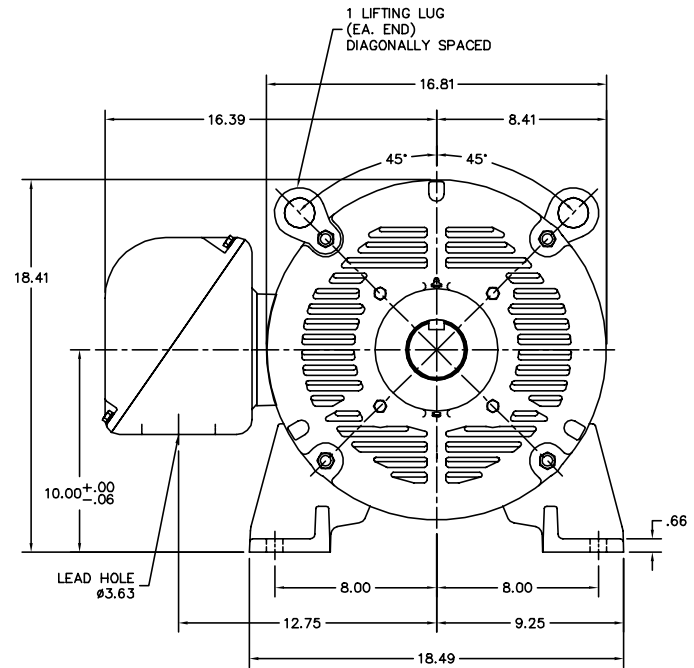
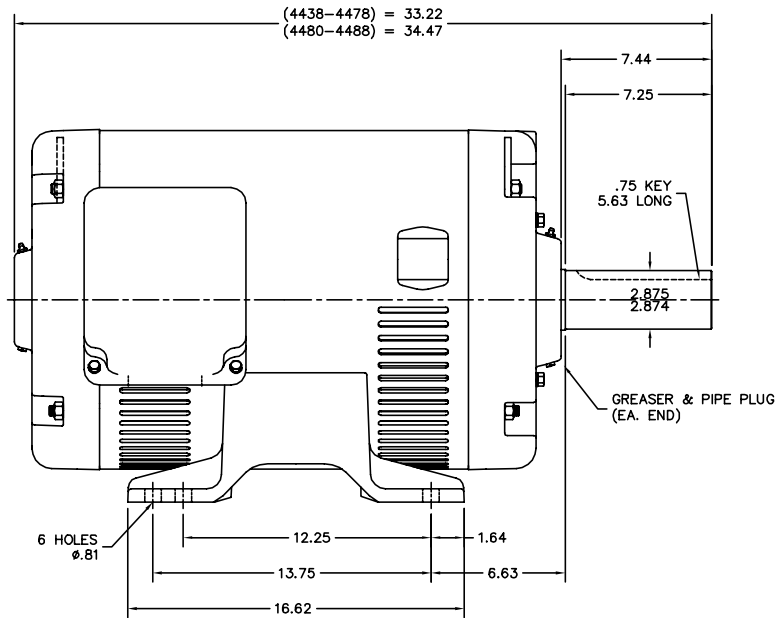
General Characteristics			
Full Load Torque:	295.0 LB-FT	Start Configuration:	DOL
No-Load Current:	46.4 Amps	Break-Down Torque:	884.0 LB-FT
Line-line Res. @ 25°C.:	0.045551 Ohms A Ph / 0.0 Ohms B Ph	Pull-Up Torque:	375.0 LB-FT
Temp. Rise @ Rated Load:	47 C	Locked-Rotor Torque:	498.0 LB-FT
Temp. Rise @ S.F. Load:	57 C	Starting Current:	852.0 Amps

Load Characteristics							
% of Rated Load	25	50	75	100	125	150	S.F.
Power Factor:	46.0	70.0	79.0	83.0	85.0	86.0	84.0
Efficiency:	92.6	95.3	95.7	95.6	95.2	94.6	95.4
Speed:	1794.0	1789.8	1785.5	1780.7	1775.5	1769.8	1778.0
Line Amperes:	54.2	70.6	92.8	118.0	145.0	173.0	134.0

Performance Graph at 460V, 60Hz, 100.0HP Typical performance - Not guaranteed values



44LYE057



CUSTOMER IS RESPONSIBLE FOR DETERMINING THAT MOTOR PERFORMANCE IS SUITABLE IN THE APPLICATION.

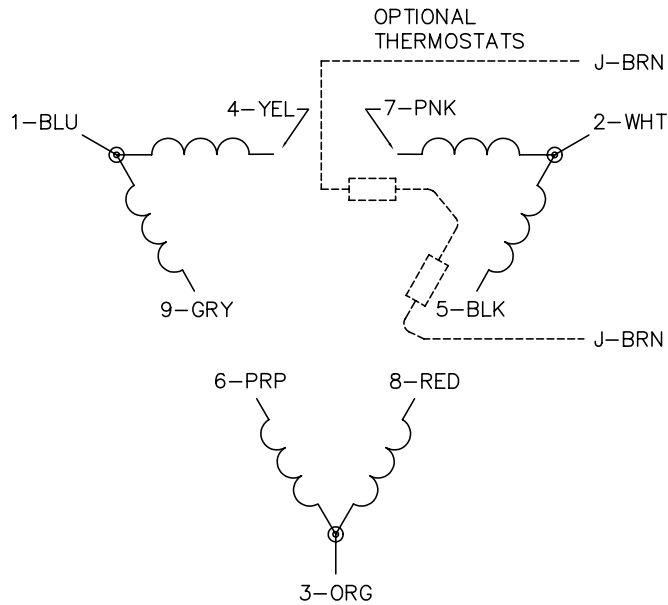
REV. DESC:	1.64 WAS 1.48	TDR:	237087
REV. LTR:	A BY: DLS	REVISED:	15:46:14 04/27/2001
FILE:	AAA00075019	REF:	44LYE057
MTL:	-		

**BALDOR ELECTRIC Co.**

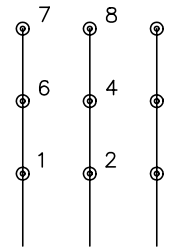
HORZ OPSB 404-5T W/44AD2003

44LYE057

CD0180

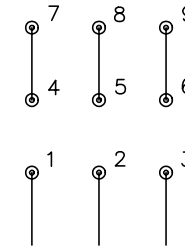


LOW VOLTAGE  
(2D)



LINE

HIGH VOLTAGE  
(1D)



LINE

NOTES:

1. INTERCHANGE ANY TWO LINE LEADS TO REVERSE ROTATION.
2. OPTIONAL THERMOSTATS ARE PROVIDED WHEN SPECIFIED.
3. ACTUAL NUMBER OF INTERNAL PARALLEL CIRCUITS MAY BE A MULTIPLE OF THOSE SHOWN ABOVE.
4. LEAD COLORS ARE OPTIONAL. LEADS MUST ALWAYS BE NUMBERED AS SHOWN.

REV. DESC: REVISE TO SHOW OPTIONAL COLORS			
REV. LTR: C	BY: JLP	REVISED: 01/21/99 2:28	TDR: 0171435
0810D0		FILE: AAA00005148	MDL: -
		MTL: -	

**BALDOR ELECTRIC Co.**

3PH, DV, 9 LEADS, DELTA CONNECTION

CD0180