

BALDOR® • *RELIANCE*

Product Information Packet

EM2556T-4

150HP,3540RPM,3PH,60HZ,405TS,4464M,OPSB

Copyright © All product information within this document is subject to Baldor Electric Company copyright © protection, unless otherwise noted.

Part Detail							
Revision:	A	Status:	PRD/A	Change #:		Proprietary:	No
Type:	AC	Prod. Type:	4464M	Elec. Spec:	44WGW254	CD Diagram:	
Enclosure:	OPSB	Mfg Plant:		Mech. Spec:	44E194	Layout:	
Frame:	405TS	Mounting:	F1	Poles:	02	Created Date:	05-15-2012
Base:	RG	Rotation:	R	Insulation:	F	Eff. Date:	07-26-2012
Leads:	6#2	Literature:		Elec. Diagram:		Replaced By:	

Nameplate NP2138L

CAT.NO.	EM2556T-4	P/N		ENCLOSURE	OPSB		
SPEC.	44E194W254G1	CC	010A	FRAME	405TS	S/N	
HP	150	CLASS	F	HZ	60		
RPM	3540	PH	3	DES	B		
VOLT	460	KVA-CODE	H	ODE BRG	6312	DE BRG	6312
AMP	166	USABLE AT 208V					
RATING	40C AMB-CONT	GREASE	POLYREX EM				
NEMA-NOM-EFF	94.1	PF	91	SER.F.	1.15		
HTR-VOLTS		HTR-AMPS		MAX. SPACE HEATER TEMP.			

Parts List		
Part Number	Description	Quantity
SA244717	SA 44E194W254G1	1.000 EA
RA231602	RA 44E194W254G1	1.000 EA
S/P107-000-004	SUPER-E(284 FR. & UP)-CL PLANT,POLYREX E	1.000 EA
HA6731	LIFTING LUG FOR 44 FRAME MOTORS.	2.000 EA
HA6648A01	CAST ADAPTER, 44 FRAME - NEMA 404-5 - MA	1.000 EA
19XW3816A12	.38-16 X .75 HEX WASHER HEAD TAPTITE II	2.000 EA
HW1001A38	LOCKWASHER 3/8, ZINC PLT .688 OD, .382 I	2.000 EA
18CB1006A04	CB 318 3.62 LD HOLE, .38 MTG HOLE & 3.88	1.000 EA
19XW3118A16	.31-18 HEX WASHER HEAD TAPTITE II 1.00 L	4.000 EA
HW1001A31	LOCKWASHER 5/16, ZINC PLT.591 OD, .319 I	4.000 EA
WD1000B25	BURNDY TERMINAL L125HP	1.000 EA
10XN3118K08	5/16-18 X .50 GRADE #5, STL, ZINC PLATE	1.000 EA
HW1001A31	LOCKWASHER 5/16, ZINC PLT.591 OD, .319 I	1.000 EA
44EP1203A02	FREP, MACH	1.000 EA
HW5100A15	W4997-050 WVY WSHR (WB)	1.000 EA
10XN3118K44	5/16-18 X 2.75" HEX HD, GRADE 5	4.000 EA
HW1001A31	LOCKWASHER 5/16, ZINC PLT.591 OD, .319 I	4.000 EA
44EP1203A11	PU ENDPLATE, MACH	1.000 EA
XY5013A12	NUT,1/2-13,HEX,STEEL,ZINCPLATED	8.000 EA
18CB1506A01	CB LID 318 FOR 18CB1006	1.000 EA
10XN3118K16	5/16-18 X 1" GRADE #5, STL, ZINC PLATE	4.000 EA
HW1001A31	LOCKWASHER 5/16, ZINC PLT.591 OD, .319 I	4.000 EA
HW2501H24	KEY, 1/2 SQ X 2.750	1.000 EA
LB1115	LABEL,LIFTING DEVICE	1.000 EA

Parts List (continued)		
Part Number	Description	Quantity
LB5040	INSTRUCTION TAG, AC & DC	1.000 EA
HW4500A03	GREASE FITTING, .125 NPT 1610(ALEMITE) 8	1.000 EA
HW4500A20	1/8NPT SL PIPE PLUG	1.000 EA
HA4051A00	PLASTIC CAP FOR GREASE FITTING	1.000 EA
MJ1000A75	GREASE, POLYREX EM EXXON	0.030 LB
HW4500A03	GREASE FITTING, .125 NPT 1610(ALEMITE) 8	1.000 EA
HW4500A20	1/8NPT SL PIPE PLUG	1.000 EA
HA4051A00	PLASTIC CAP FOR GREASE FITTING	1.000 EA
MG1000Y03	WILKO 689.710 GOLD PAINT SUPER E	0.080 GA
85XU0407A04	#4-7 X 1/4 DRIVE PIN	4.000 EA
44AD2001A01	BAFFLE 44 OPEN,"X"=1.00, SLOTTED BAND MT	1.000 EA
44AD2001A01	BAFFLE 44 OPEN,"X"=1.00, SLOTTED BAND MT	1.000 EA
HA3175A03	THRUBOLT STUD 1/2-13 X 24.250 - GRADE 2	4.000 EA
LB1119	WARNING LABEL	1.000 EA
LB1125C02	SUPER-E (STOCK CTN LABEL SUPER-E WITH FL	4.000 EA
LB1357	ENERGY GUIDE LABEL (BOX LABEL)	1.000 SH
LC0382	CONNECTION LABEL	1.000 EA
NP2138L	ALUM SUPER-E UL CSA-EEV PREM CC (300	1.000 EA
14PA1000	PACKAGING 314 GROUP COMBINED PRINT	1.000 EA

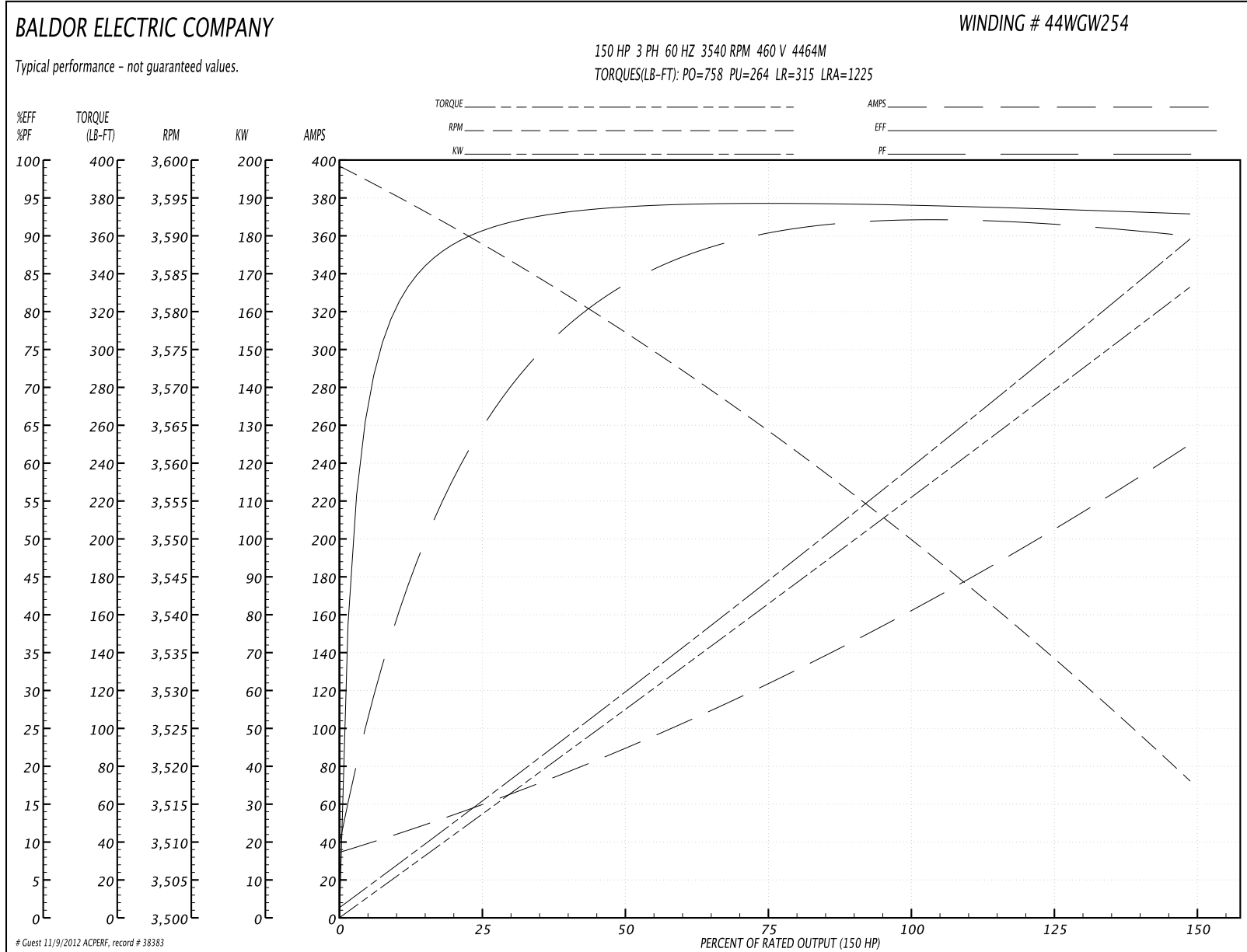
Accessories		
Part Number	Description	Multiplier
44-1403A	C FACE KIT 44/404 USC TSC 6312 BRG	A8

Performance Data at 460V, 60Hz, 150.0HP (Typical performance - Not guaranteed values)

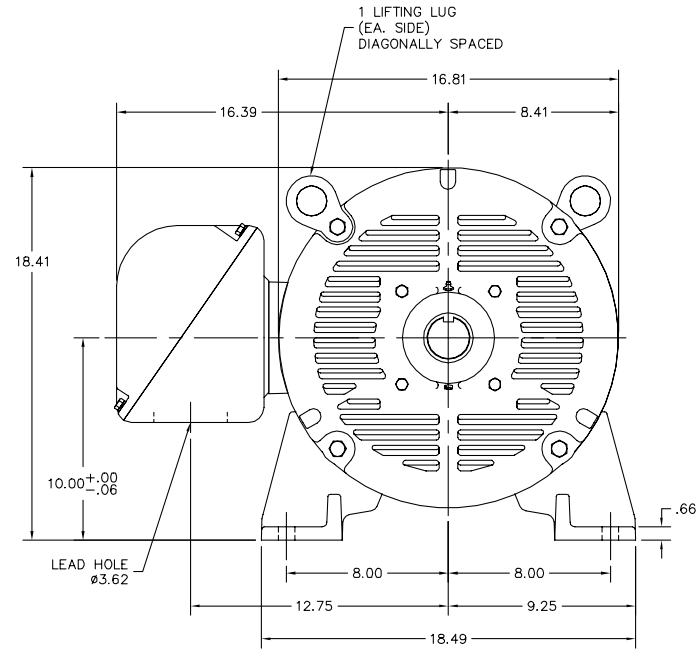
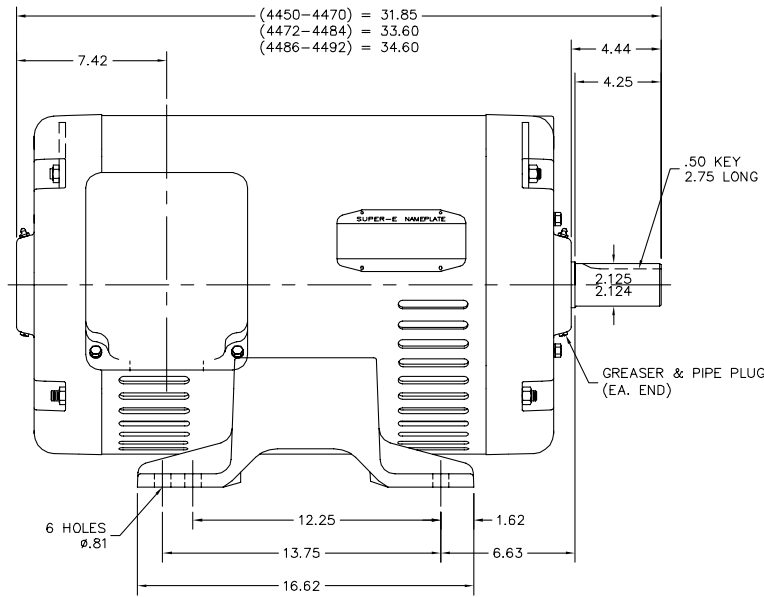
General Characteristics			
Full Load Torque:	224.0 LB-FT	Start Configuration:	DOL
No-Load Current:	37.6 Amps	Break-Down Torque:	758.0 LB-FT
Line-line Res. @ 25°C.:	0.0479 Ohms A Ph / 0.0 Ohms B Ph	Pull-Up Torque:	264.0 LB-FT
Temp. Rise @ Rated Load:	54 C	Locked-Rotor Torque:	315.0 LB-FT
Temp. Rise @ S.F. Load:	66 C	Starting Current:	1225.0 Amps

Load Characteristics							
% of Rated Load	25	50	75	100	125	150	S.F.
Power Factor:	70.0	86.0	90.0	91.0	91.0	91.0	91.0
Efficiency:	90.6	93.8	94.3	94.1	93.4	93.4	93.6
Speed:	3589.0	3576.0	3565.0	3549.0	3532.0	3519.0	3539.0
Line Amperes:	56.5	89.2	126.0	166.0	210.0	247.0	192.0

Performance Graph at 460V, 60Hz, 150.0HP Typical performance - Not guaranteed values



44LYE194



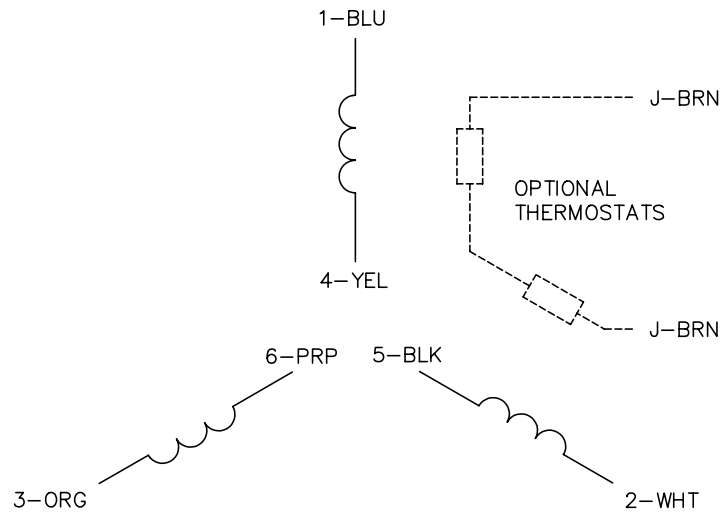
44LYE194

CUSTOMER IS RESPONSIBLE FOR DETERMINING THAT BALDOR'S PRODUCT WILL PERFORM SUITABLY IN THE INTENDED APPLICATION.

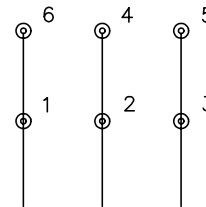
REV. DESC: NEW	VERSION: 00	TDR: 000000505124
REV. LTR: -	REVISED: 07:25:27 07/10/2009	BY: ENGAMG0
FILE: \AAA\00164\047		
MTL: -		

BALDOR • DODGE • RELIANCE
 HORZ OPSB 404-5TS, SUPER-E
 SH 1 of 1

CD0382

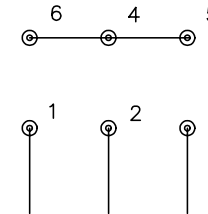


RUN CONNECTION (1D)



LINE

START CONNECTION (1Y)



LINE

NOTES:

1. INTERCHANGE ANY TWO LINE LEADS TO REVERSE ROTATION.
2. OPTIONAL THERMOSTATS ARE PROVIDED WHEN SPECIFIED.
3. ACTUAL NUMBER OF INTERNAL PARALLEL CIRCUITS MAY BE A MULTIPLE OF THOSE SHOWN ABOVE.
4. LEAD COLORS ARE OPTIONAL. LEADS MUST ALWAYS BE NUMBERED AS SHOWN.
5. FOR ACROSS-THE-LINE STARTING, USE 'RUN' CONNECTION.

REV. DESC: ADD NOTE 5 FOR DOL STARTING			
REV. LTR: E	BY: JLP	REVISED: 11/30/00 2:26	TDR: 0226155
CD0382		FILE: AAA00005243	REF: -
		MTL: -	

BALDOR ELECTRIC Co.

3PH, SV, 6 LEADS, Y START/D RUN

CD0382