

# **BALDOR® • RELIANCE**

**Product Information Packet**

**WALKER INDUSTRIAL PRODUCTS, INC.**

**EM31108-5**

**.5HP, 1725RPM, 3PH, 60HZ, 56, 3424M, OPEN, F1, N**

Part Detail							
Revision:	-	Status:	PRD/A	Change #:		Proprietary:	No
Type:	AC	Prod. Type:	3424M	Elec. Spec:	34WGR272	CD Diagram:	CD0006
Enclosure:	OPEN	Mfg Plant:		Mech. Spec:	34F779	Layout:	34LYF779
Frame:	56	Mounting:	F1	Poles:	04	Created Date:	01-13-2015
Base:	RG	Rotation:	R	Insulation:	B	Eff. Date:	01-16-2015
Leads:	3#18					Replaced By:	
Literature:		Elec. Diagram:					

<b>Nameplate NP2116L</b>							
CAT.NO.	EM31108-5						
SPEC.	34F779R272G1						
HP	.5						
VOLTS	575						
AMP	.7						
RPM	1725						
FRAME	56	HZ	60	PH	3		
SER.F.	1.25	CODE	L	DES	B	CL	B
NEMA-NOM-EFF	78.2	PF	78				
RATING	40C AMB-CONT						
CC	USABLE AT 208V						
DE	6203	ODE	6203				
ENCL	OPEN	SN					
	SFA .8						

Parts List		
Part Number	Description	Quantity
SA292190	SA 34F779R272G1	1.000 EA
RA278307	RA 34F779R272G1	1.000 EA
NS2512A01	INSULATOR, CONDUIT BOX X	1.000 EA
34CB3002A	CB CAST W/.88 DIA HOLE	1.000 EA
51XB1016A07	10-16 X 7/16 HXWSSLD SERTYB	2.000 EA
11XW1032G06	10-32 X .38, TAPTITE II, HEX WSHR SLTD U	1.000 EA
34EP3210A01SP	FR ENDPLATE, MACH	1.000 EA
HW5100A03SP	WAVY WASHER (W1543-017)	1.000 EA
34EP3212A24	PU ENDPLATE, MODEL 34 OPEN	1.000 EA
XY1032A02	10-32 HEX NUT DIRECTIONAL SERRATION	4.000 EA
34CB4517	CB LID 4 MTG HOLES .22 DIA STAMPED, FOR	1.000 EA
51XW0832A07	8-32 X .44, TAPTITE II, HEX WSHR SLTD SE	4.000 EA
HW2501D13SP	KEY, 3/16 SQ X 1.375	1.000 EA
HA7000A04	KEY RETAINER 0.625 DIA SHAFTS	1.000 EA
S/P107-000-001	SUPER E PROC'S-FS, WS & CK PLTS	1.000 EA
MG1000Y03	MUNSELL 2.53Y 6.70/ 4.60, GLOSS 20,	0.014 GA
10XF0440S02	04-40 X 1/8 TYPE F HEX HD STAINLESS STIC	2.000 EA
HA3100A45	THRUBOLT 10-32 X 8.875	4.000 EA
LC0006	CONNECTION LABEL	1.000 EA
MN416A01	TAG-INSTAL-MAINT no wire (1200/bx) 10/13	1.000 EA
LB1125C01	STD (STOCK) CARTON LABEL BALDOR WITH FLA	1.000 EA
LB1119N	WARNING LABEL	1.000 EA
NP2116L	ALUM SUPER-E UL CSA CC	1.000 EA
34PA1005	PACKING GROUP, BALDOR	1.000 EA

**AC Induction Motor Performance Data**

Record # 48819 - Typical performance - not guaranteed values

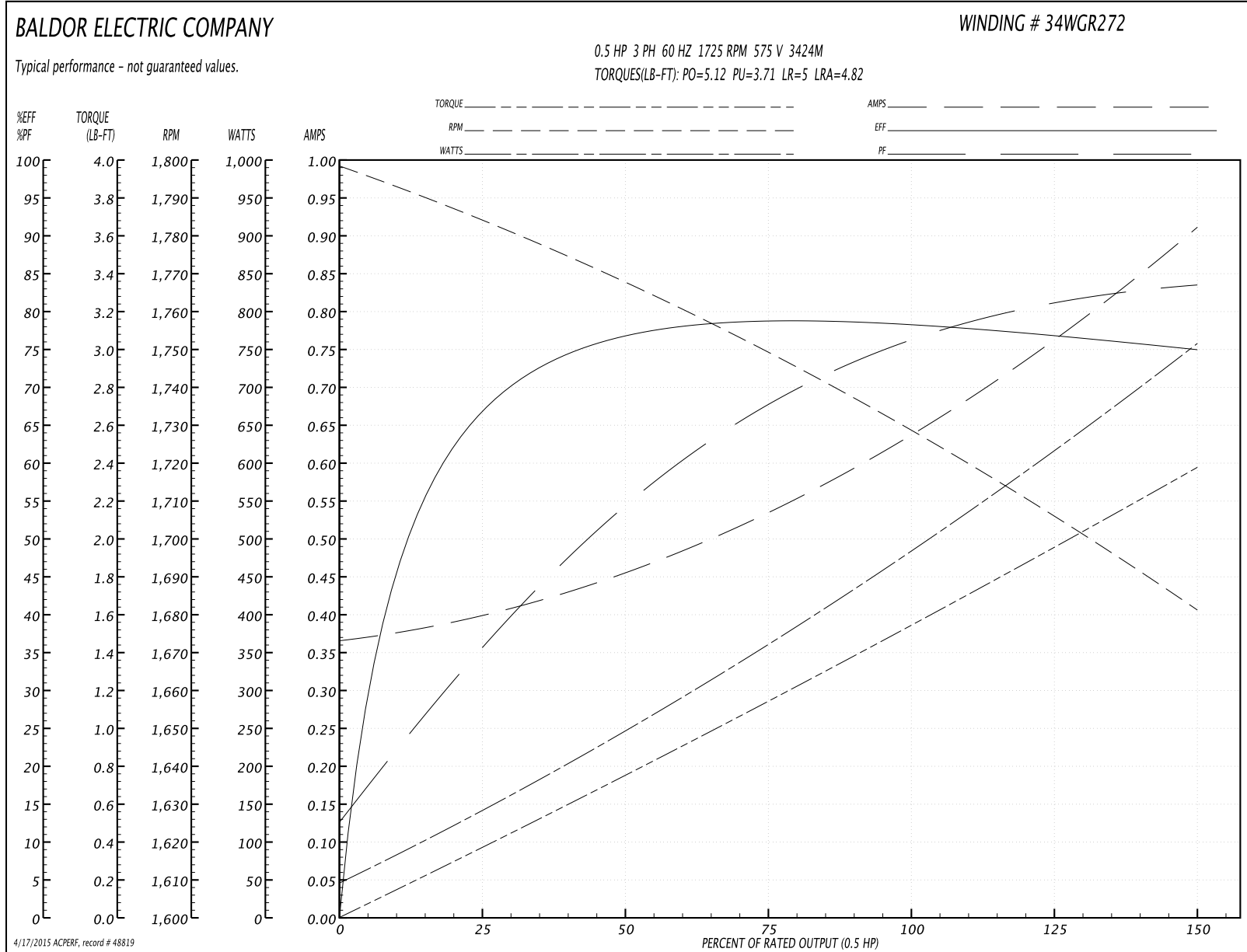
<b>Winding:</b> 34WGR272-R001	<b>Type:</b> 3424M	<b>Enclosure:</b> OPEN
-------------------------------	--------------------	------------------------

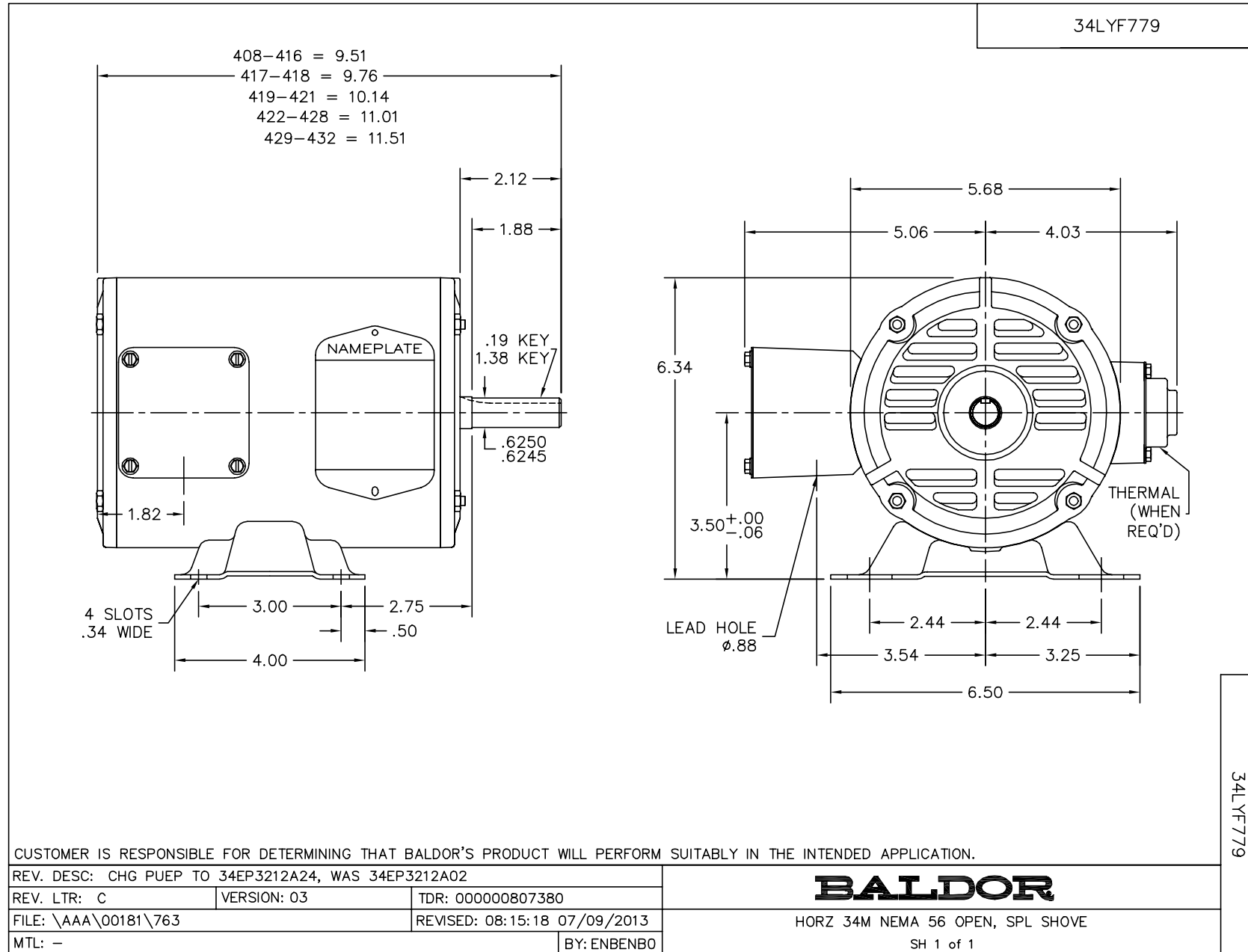
Nameplate Data				575 V, 60 Hz: Single Voltage Motor	
Rated Output (HP)	.5			Full Load Torque	1.57 LB-FT
Volts	575			Start Configuration	direct on line
Full Load Amps	.7			Breakdown Torque	5.12 LB-FT
R.P.M.	1725			Pull-up Torque	3.71 LB-FT
Hz	60	Phase	3	Locked-rotor Torque	5 LB-FT
NEMA Design Code	B	KVA Code	L	Starting Current	4.82 A
Service Factor (S.F.)	1.25			No-load Current	0.369 A
NEMA Nom. Eff.	78.2	Power Factor	78	Line-line Res. @ 25°C	46.5 Ω
Rating - Duty	40C AMB-CONT			Temp. Rise @ Rated Load	25°C
S.F. Amps	.8			Temp. Rise @ S.F. Load	31°C
				Rotor inertia	0.0572 LB-FT <sup>2</sup>

Load Characteristics 575 V, 60 Hz, 0.5 HP

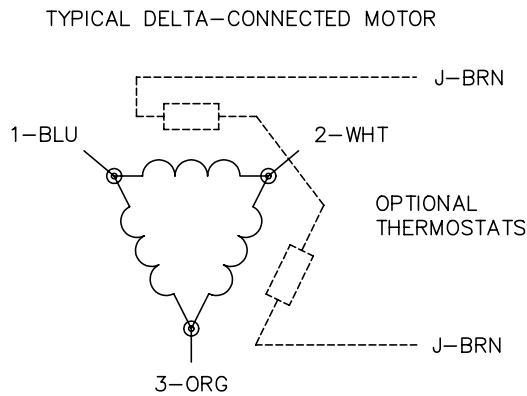
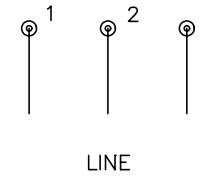
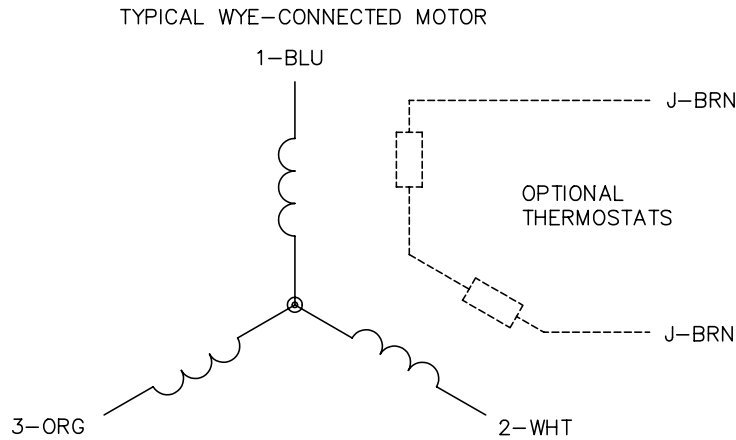
% of Rated Load	25	50	75	100	125	150	S.F.
Power Factor	38	56	68	76	81	84	81
Efficiency	67.9	76.8	78.8	78.5	76.9	74.9	76.9
Speed	1782	1766	1748	1728	1705	1681	1705
Line amperes	0.398	0.46	0.542	0.646	0.772	0.908	0.772

Performance Graph at 575V, 60Hz, 0.5HP Typical performance - Not guaranteed values





CD0006



NOTES:

1. THREE LEAD MOTOR MAY BE EITHER WYE CONNECTED OR DELTA CONNECTED.
2. INTERCHANGE ANY TWO LINE LEADS TO REVERSE ROTATION.
3. OPTIONAL THERMOSTATS ARE PROVIDED WHEN SPECIFIED.
4. ACTUAL NUMBER OF INTERNAL PARALLEL CIRCUITS MAY VARY.
5. LEAD COLORS ARE OPTIONAL. LEADS MUST BE NUMBERED AS SHOWN.

REV. DESC: REVISE TO SHOW OPTIONAL COLORS			
REV. LTR: D	BY: JLP	REVISED: 01/21/99 4:02	TDR: 0171435
9000D		FILE: AAA00005141	MDL: -
		MTL: -	

**BALDOR ELECTRIC Co.**

3PH, SV, 3 LEADS, WYE OR DELTA CONNECTED

CD0006