

BALDOR® • *RELIANCE*

Product Information Packet

EM3158T-G

3HP,3450RPM,3PH,60HZ,145T,3530M,OPSB,F1

Copyright © All product information within this document is subject to Baldor Electric Company copyright © protection, unless otherwise noted.

Part Detail							
Revision:	A	Status:	PRD/A	Change #:		Proprietary:	No
Type:	AC	Prod. Type:	3530M	Elec. Spec:	35WGP988	CD Diagram:	
Enclosure:	OPSB	Mfg Plant:		Mech. Spec:	35Z948	Layout:	
Frame:	145T	Mounting:	F1	Poles:	02	Created Date:	11-17-2011
Base:	RG	Rotation:	R	Insulation:	H	Eff. Date:	10-10-2012
Leads:	9#18	Literature:		Elec. Diagram:		Replaced By:	

Nameplate NP1259L									
CAT.NO.	EM3158T-G								
SPEC.	35Z948P988G1								
HP	3								
VOLTS	230/460								
AMP	7.6/3.8								
RPM	3450								
FRAME	145T	HZ			60	PH	3		
SER.F.	1.15	CODE			K	DES	B	CL	H
NEMA-NOM-EFF	85.5	PF			87				
RATING	40C AMB-CONT								
CC	010A	USABLE AT 208V			8				
DE	6205	ODE			6203				
ENCL	OPSB	SN							

Parts List		
Part Number	Description	Quantity
SA234533	SA 35Z948P988G1	1.000 EA
RA221505	RA 35Z948P988G1	1.000 EA
S/P107-000-001	SUPER E PROC'S-FS & WS PLTS-POLYREX EM G	1.000 EA
NS2512A01	INSULATOR, CONDUIT BOX X	1.000 EA
35CB3009	35 CB CASTING W/1.09 DIA. LEAD HOLE @ 6:	1.000 EA
51XB1016A07	10-16 X 7/16 HXWSSLD SERTYB	2.000 EA
11XW1032G06	10-32 X .38, TAPTITE II, HEX WSHR SLTD U	1.000 EA
35EP3201A03	STD FR EP OPEN-203BRG-35L OR M FRAME--LE	1.000 EA
HW5100A03SP	WAVY WASHER (W1543-017)	1.000 EA
BP5308A01	AEGIS SH GRD ASSY W/RETAINER RING	1.000 EA
35EP3200A31	PU ENDPLATE, MACH	1.000 EA
51XN1032A18	10-32 X 1 1/8 HX WS SL SR (ESKAY)	2.000 EA
XY1032A02	10-32 HEX NUT DIRECTIONAL SERRATION	4.000 EA
35CB4521	35 LIPPED CB LID (GALV & PHOSPH)	1.000 EA
51XW0832A07	8-32 X .44, TAPTITE II, HEX WSHR SLTD SE	4.000 EA
HW2501D13SP	KEY, 3/16 SQ X 1.375	1.000 EA
HA7000A01	KEY RETAINER 7/8" DIA SHAFT	1.000 EA
85XU0407S04	4X1/4 U DRIVE PIN STAINLESS	2.000 EA
LB1459	AEGIS SGR LABEL "AEGISLBL-100"	1.000 EA
MJ1000A75	GREASE, POLYREX EM EXXON	0.050 LB
HA3100A23	THRUBOLT 10-32 X 10.375	4.000 EA
35AD2005A01	BAFFLE PLATE,MOD 35-SLTD BAND MTRS TDR	2.000 EA
MG1000Y03	WILKO 689.710 GOLD PAINT SUPER E	0.017 GA
LC0005E01	CONN.DIA./WARNING LABEL (LC0005/LB1119)	1.000 EA

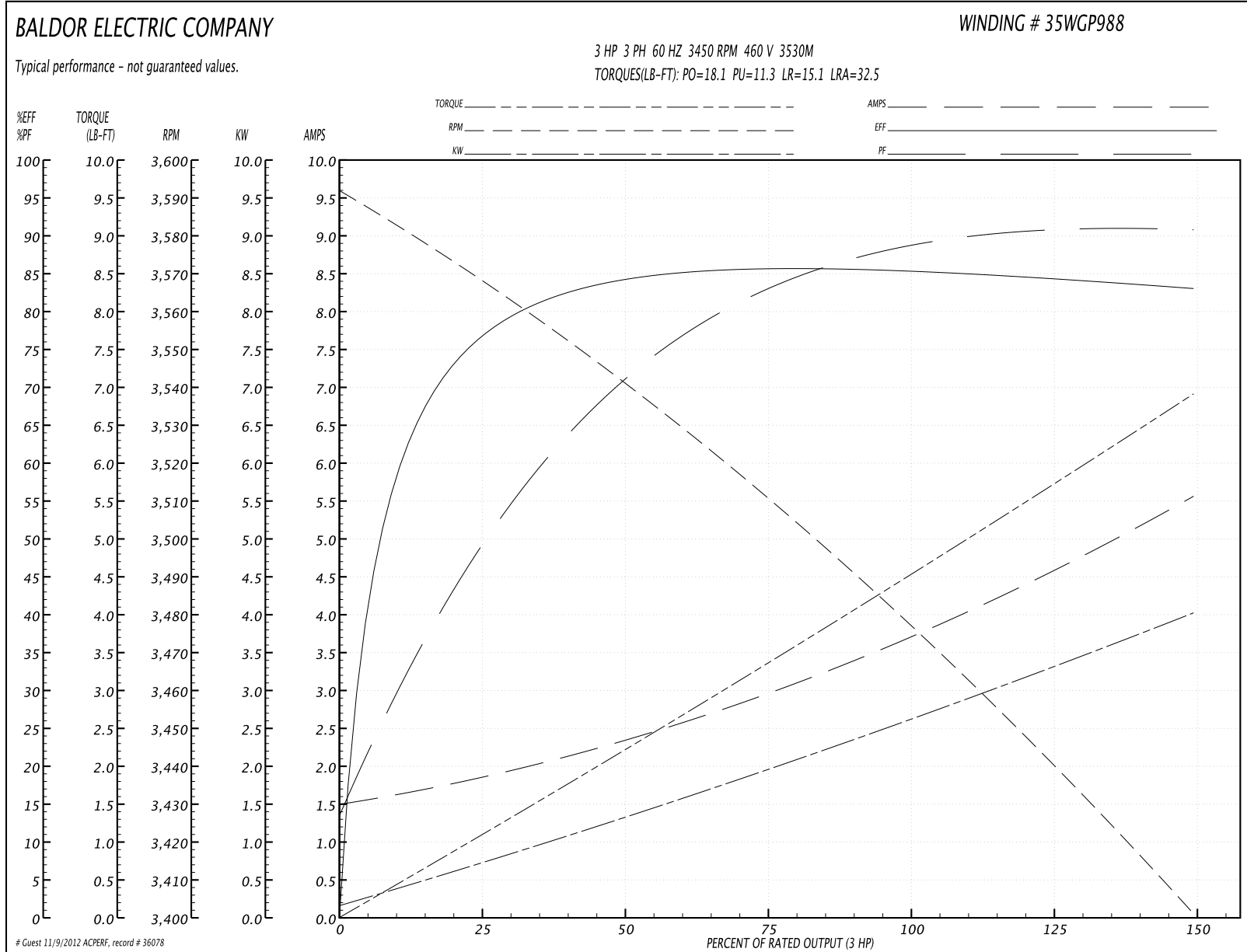
Parts List (continued)		
Part Number	Description	Quantity
LB1125C02	SUPER-E (STOCK CTN LABEL SUPER-E WITH FL	1.000 EA
LB1357	ENERGY GUIDE LABEL (BOX LABEL)	1.000 SH
LB5040	INSTRUCTION TAG, AC & DC	1.000 EA
NP1259L	ALUM SUPER-E UL CSA-EEV CC NEMA PREMIUM	1.000 EA
PA1000	PACKING GROUP 3500 SHORT	1.000 EA

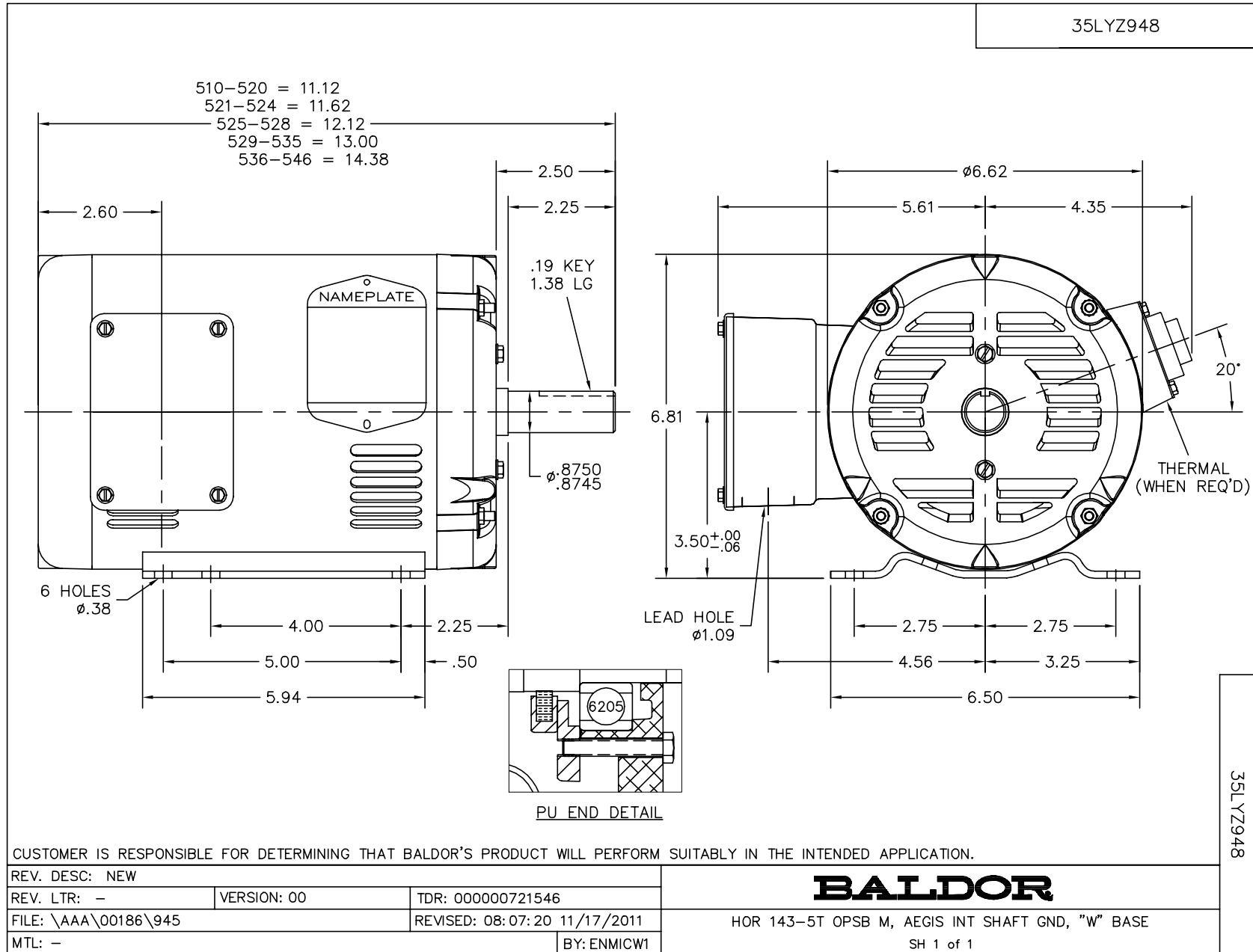
Performance Data at 460V, 60Hz, 3.0HP (Typical performance - Not guaranteed values)

General Characteristics			
Full Load Torque:	4.515 LB-FT	Start Configuration:	DOL
No-Load Current:	1.55 Amps	Break-Down Torque:	18.1 LB-FT
Line-line Res. @ 25°C.:	5.8893 Ohms A Ph / 0.0 Ohms B Ph	Pull-Up Torque:	11.3 LB-FT
Temp. Rise @ Rated Load:	33 C	Locked-Rotor Torque:	15.1 LB-FT
Temp. Rise @ S.F. Load:	40 C	Starting Current:	32.5 Amps

Load Characteristics							
% of Rated Load	25	50	75	100	125	150	S.F.
Power Factor:	50.0	72.0	82.0	87.0	90.0	91.0	89.0
Efficiency:	76.1	84.3	86.0	85.8	84.7	83.0	85.1
Speed:	3569.1	3541.6	3510.6	3478.3	3442.7	3400.2	3457.0
Line Amperes:	1.77	2.29	2.97	3.73	4.58	5.53	4.24

Performance Graph at 460V, 60Hz, 3.0HP Typical performance - Not guaranteed values





CD0005



LOW VOLTAGE
(2Y)



LINE

HIGH VOLTAGE
(1Y)



LINE

NOTES:

1. INTERCHANGE ANY TWO LINE LEADS TO REVERSE ROTATION.
2. OPTIONAL THERMOSTATS ARE PROVIDED WHEN SPECIFIED.
3. ACTUAL NUMBER OF INTERNAL PARALLEL CIRCUITS MAY BE A MULTIPLE OF THOSE SHOWN ABOVE.
4. LEAD COLORS ARE OPTIONAL. LEADS MUST ALWAYS BE NUMBERED AS SHOWN.

REV. DESC: REVISE TO SHOW OPTIONAL COLORS			
REV. LTR: E	BY: JLP	REVISED: 01/19/99 10:15	TDR: 0171435
900000		FILE: AAA00005140	MDL: -
		MTL: -	

BALDOR ELECTRIC Co.

3PH, DV, 9 LEADS

CD0005