

# **BALDOR**® • **RELIANCE**

## **Product Information Packet**

# **EM3211T-5**

**3HP,1765RPM,3PH,60HZ,182T,3630M,OPSB,F1**

Copyright © All product information within this document is subject to Baldor Electric Company copyright © protection, unless otherwise noted.

Part Detail							
Revision:	E	Status:	PRD/A	Change #:		Proprietary:	No
Type:	AC	Prod. Type:	3630M	Elec. Spec:	36WGS763	CD Diagram:	
Enclosure:	OPSB	Mfg Plant:		Mech. Spec:	36G548	Layout:	
Frame:	182T	Mounting:	F1	Poles:	04	Created Date:	06-29-2011
Base:	RG	Rotation:	R	Insulation:	F	Eff. Date:	07-27-2012
Leads:	3#16	Literature:		Elec. Diagram:		Replaced By:	

Nameplate NP1259L									
CAT.NO.	EM3211T-5								
SPEC.	36G548S763G1								
HP	3								
VOLTS	575								
AMP	3.4								
RPM	1765								
FRAME	182T	HZ			60	PH	3		
SER.F.	1.15	CODE			K	DES	B	CL	F
NEMA-NOM-EFF	89.5	PF			74				
RATING	40C AMB-CONT								
CC	010A	USABLE AT 208V							
DE	6206	ODE			6205				
ENCL	OPSB	SN							

Parts List		
Part Number	Description	Quantity
SA226369	SA 36G548S763G1	1.000 EA
RA213467	RA 36G548S763G1	1.000 EA
S/P107-000-001	SUPER E PROC'S-FS & WS PLTS-POLYREX EM G	1.000 EA
36CB3004	36 CB CASTING W/1.09 DIA LEAD HOLE @ 6:0	1.000 EA
51XB1016A08	10-16X 1/2HXWSSLD SERTYB	2.000 EA
11XW1032G06	10-32 X .38, TAPTITE II, HEX WSHR SLTD U	1.000 EA
HW3001B01	003SS CUP WASHER, FOR #8 SCREW	1.000 EA
36EP3200A01SP	FR ENDPLATE, MACH	1.000 EA
HW4500A01	1641B(ALEMITE)400 UNIV, GREASE FITT	1.000 EA
HW5100A05	WVY WSHR F/205 & 304 BRGS	1.000 EA
36EP3201A01	PU ENDPLATE, MACH 182-4T	1.000 EA
HW4500A01	1641B(ALEMITE)400 UNIV, GREASE FITT	1.000 EA
XY2520A12	1/4-20 HEX NUT, DIRECTIONAL SERRATIONS	4.000 EA
36CB4516	36 LIPPED CB LID	1.000 EA
51XW0832A07	8-32 X .44, TAPTITE II, HEX WSHR SLTD SE	4.000 EA
HW2501E16	3KEY, 1/4 SQ X 1.750	1.000 EA
HA7000A02	KEY RETAINER RING, 1 1/8 DIA, 1 3/8 DIA	1.000 EA
85XU0407S04	4X1/4 U DRIVE PIN STAINLESS	2.000 EA
MJ1000A75	GREASE, POLYREX EM EXXON	0.050 LB
HA3101A45	THRUBOLT- 1/4-20 X 11.125 X	4.000 EA
36AD2004A01	BAFFLE PLATE,MOD 36-SLTD BAND MTRS DELTA	2.000 EA
MG1000Y03	WILKO 689.710 GOLD PAINT SUPER E	0.022 GA
LB1119	WARNING LABEL	1.000 EA
LB1125C02	SUPER-E (STOCK CTN LABEL SUPER-E WITH FL	1.000 EA

Parts List (continued)		
Part Number	Description	Quantity
LB1357	ENERGY GUIDE LABEL (BOX LABEL)	1.000 SH
LC0006	CONNECTION LABEL	1.000 EA
NP1259L	ALUM SUPER-E UL CSA-EEV CC NEMA PREMIUM	1.000 EA
36PA1000	PACK GROUP W/LB5001	1.000 EA

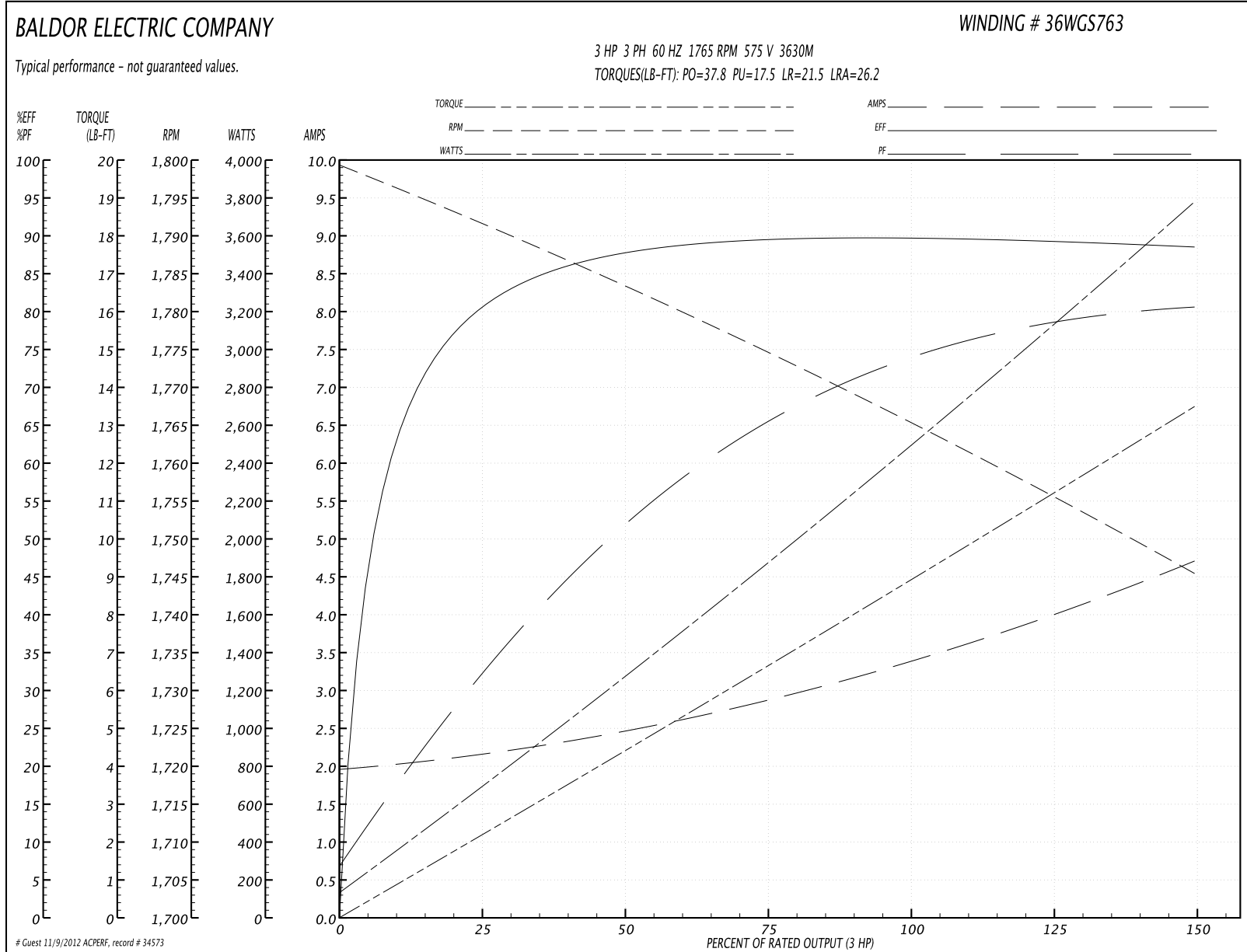
Accessories		
Part Number	Description	Multiplier
36-3403	C FACE KIT	A8
36EP1405A09SP	D-FLANGE KIT	A8

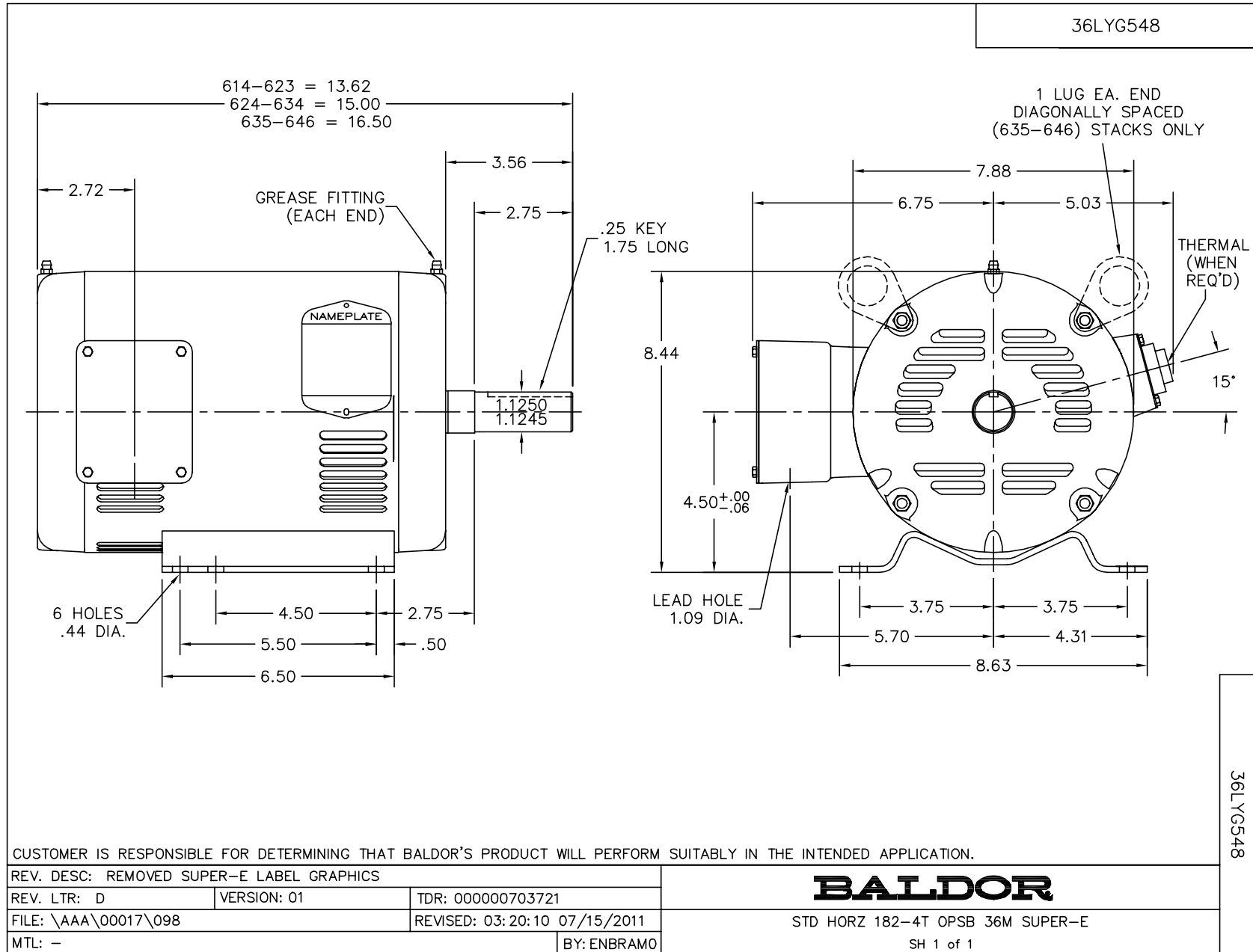
**Performance Data at 575V, 60Hz, 3.0HP (Typical performance - Not guaranteed values)**

General Characteristics			
Full Load Torque:	8.85 LB-FT	Start Configuration:	DOL
No-Load Current:	1.99 Amps	Break-Down Torque:	37.8 LB-FT
Line-line Res. @ 25°C.:	5.92 Ohms A Ph / 0.0 Ohms B Ph	Pull-Up Torque:	17.5 LB-FT
Temp. Rise @ Rated Load:	24 C	Locked-Rotor Torque:	21.5 LB-FT
Temp. Rise @ S.F. Load:	29 C	Starting Current:	26.2 Amps

Load Characteristics							
% of Rated Load	25	50	75	100	125	150	S.F.
Power Factor:	32.0	53.0	66.0	73.0	78.0	81.0	76.0
Efficiency:	79.9	87.5	89.5	89.8	89.6	88.4	89.7
Speed:	1791.0	1783.0	1775.0	1766.0	1756.0	1745.0	1760.0
Line Amperes:	2.12	2.43	2.87	3.42	4.0	4.69	3.77

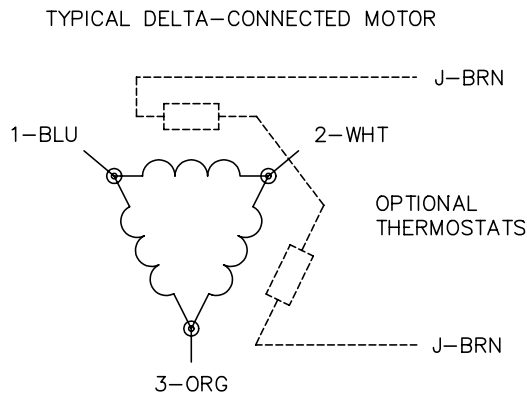
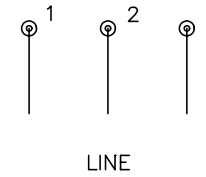
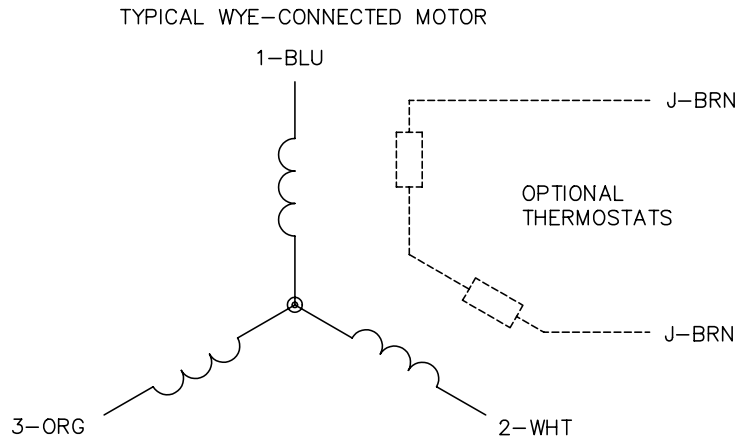
Performance Graph at 575V, 60Hz, 3.0HP Typical performance - Not guaranteed values







CD0006



NOTES:

1. THREE LEAD MOTOR MAY BE EITHER WYE CONNECTED OR DELTA CONNECTED.
2. INTERCHANGE ANY TWO LINE LEADS TO REVERSE ROTATION.
3. OPTIONAL THERMOSTATS ARE PROVIDED WHEN SPECIFIED.
4. ACTUAL NUMBER OF INTERNAL PARALLEL CIRCUITS MAY VARY.
5. LEAD COLORS ARE OPTIONAL. LEADS MUST BE NUMBERED AS SHOWN.

REV. DESC: REVISE TO SHOW OPTIONAL COLORS			
REV. LTR: D	BY: JLP	REVISED: 01/21/99 4:02	TDR: 0171435
9000D		FILE: AAA00005141	MDL: -
		MTL: -	

**BALDOR ELECTRIC Co.**

3PH, SV, 3 LEADS, WYE OR DELTA CONNECTED

CD0006