

BALDOR® • RELIANCE 

Product Information Packet

WALKER INDUSTRIAL PRODUCTS, INC.

EM3211T-57

3HP, 1450RPM, 3PH, 50HZ, 182T, 3630M, OPEN, F1

Part Detail							
Revision:	-	Status:	PRD/A	Change #:		Proprietary:	No
Type:	AC	Elec. Spec:	36WGR999	CD Diagram:	CD0022	Mfg Plant:	
Mech. Spec:	36B001	Layout:	36LYB001	Poles:	04	Created Date:	12-22-2015
Base:	RG	Eff. Date:	01-04-2016	Leads:	6#16		

Specs			
Catalog Number:	EM3211T-57	Insulation Class:	F
Enclosure:	OPEN	Inverter Code:	Inverter Ready
Frame:	182T	KVA Code:	J
Frame Material:	Steel	Lifting Lugs:	No Lifting Lugs
Output @ Frequency:	3.000 HP @ 50 HZ	Locked Bearing Indicator:	No Locked Bearing
Synchronous Speed @ Frequency:	1500 RPM @ 50 HZ	Motor Lead Quantity/Wire Size:	6 @ 16 AWG
Voltage @ Frequency:	400.0 V @ 50 HZ	Motor Lead Exit:	Ko Box
	230.0 V @ 50 HZ	Motor Lead Termination:	Flying Leads
XP Class and Group:	None	Motor Type:	3630M
XP Division:	Not Applicable	Mounting Arrangement:	F1
Agency Approvals:	CE	Power Factor:	76
	CSA	Product Family:	General Purpose
	UR	Pulley End Bearing Type:	Ball
Auxillary Box:	No Auxillary Box	Pulley Face Code:	Standard
Auxillary Box Lead Termination:	None	Pulley Shaft Indicator:	Standard
Base Indicator:	Rigid	Rodent Screen:	None
Bearing Grease Type:	Polyrex EM (-20F +300F)	RoHS Status:	ROHS COMPLIANT
Blower:	None	Shaft Extension Location:	Pulley End

Current @ Voltage:	4.850 A @ 400.0 V	Shaft Ground Indicator:	No Shaft Grounding
	8.400 A @ 230.0 V	Shaft Rotation:	Reversible
Design Code:	B	Shaft Slinger Indicator:	No Slinger
Drip Cover:	No Drip Cover	Speed Code:	Single Speed
Duty Rating:	CONT	Motor Standards:	NEMA
Electrically Isolated Bearing:	Not Electrically Isolated	Starting Method:	Direct on line
Feedback Device:	NO FEEDBACK	Thermal Device - Bearing:	None
Front Face Code:	Standard	Thermal Device - Winding:	None
Front Shaft Indicator:	None	Vibration Sensor Indicator:	No Vibration Sensor
Heater Indicator:	No Heater	Winding Thermal 1:	None
		Winding Thermal 2:	None

Nameplate NP2716L											
CAT NO	EM3211T-57										
SPEC.	36B001R999G1										
HP	3							PH	3		
VOLTS	230/400										
AMP	8.4/4.85										
RPM	1450										
FRAME	182T				HZ	50			I.P.	23	
SER.F.	1.15			CODE	J		DES	B		CL	F
NOM.EFF.	86.7							%		(100%)	
PF	76							USABLE AT 208V			
RATING	40C AMB-CONT						CC				
DE BRG	6206				ODE	6205					
ENCL	OPEN			SN							
BLANK	IE3 - 88.1 (75%) 86.8 (50%)										

Parts List		
Part Number	Description	Quantity
SA312763	SA 36B001R999G1	1.000 EA
RA300203	RA 36B001R999G1	1.000 EA
36CB3004	36 CB CASTING W/1.09 DIA LEAD HOLE @ 6:0	1.000 EA
51XB1016A08	10-16X 1/2HXWSSLD SERTYB	2.000 EA
11XW1032G06	10-32 X .38, TAPTITE II, HEX WSHR SLTD U	1.000 EA
HW3001B01	BRASS CUP WASHER, FOR #10 SCREW	1.000 EA
36EP3200A01	FR ENDPLATE, ASSEMBLY FOR ROUTING	1.000 EA
HW4500A01	1641B(ALEMITE)400 UNIV, GREASE FITT	1.000 EA
HW5100A05	WVY WSHR F/205 & 304 BRGS	1.000 EA
36PE3201A01	PU ENDPLATE, ASSEMBLY FOR ROUTING	1.000 EA
HW4500A01	1641B(ALEMITE)400 UNIV, GREASE FITT	1.000 EA
XY2520A12	1/4-20 HEX NUT, DIRECTIONAL SERRATIONS	4.000 EA
36CB4516	36 LIPPED CB LID - GALVANNEAL	1.000 EA
51XW0832A07	8-32 X .44, TAPTITE II, HEX WSHR SLTD SE	4.000 EA
HW2501E16	KEY, 1/4 SQ X 1.750	1.000 EA
HA7000A02	KEY RETAINER RING, 1 1/8 DIA, 1 3/8 DIA	1.000 EA
85XU0407S04	4X1/4 U DRIVE PIN STAINLESS	2.000 EA
MJ1000A02	GREASE, POLYREX EM EXXON (USe 4824-15A)	0.050 LB
MG1000G27	MED CHARCOAL METALLIC GREY 400-0096	0.022 GA
HA3101A25	THRUBOLT 1/4-20 X 11.000 OHIO ROD	4.000 EA
LB1119N	WARNING LABEL	1.000 EA
LC0034	CONNECTION LABEL	1.000 EA
MN416A01	TAG-INSTAL-MAINT no wire (1100/bx) 11/14	1.000 EA
NP2716L	ALUM SUPER-E NEMA IE3 UL CSA CC CE	1.000 EA

Parts List (continued)		
Part Number	Description	Quantity
36PA1000	PKG GRP, PRINT PK1016A06	1.000 EA

AC Induction Motor Performance Data

Record # 54654 - Typical performance - not guaranteed values

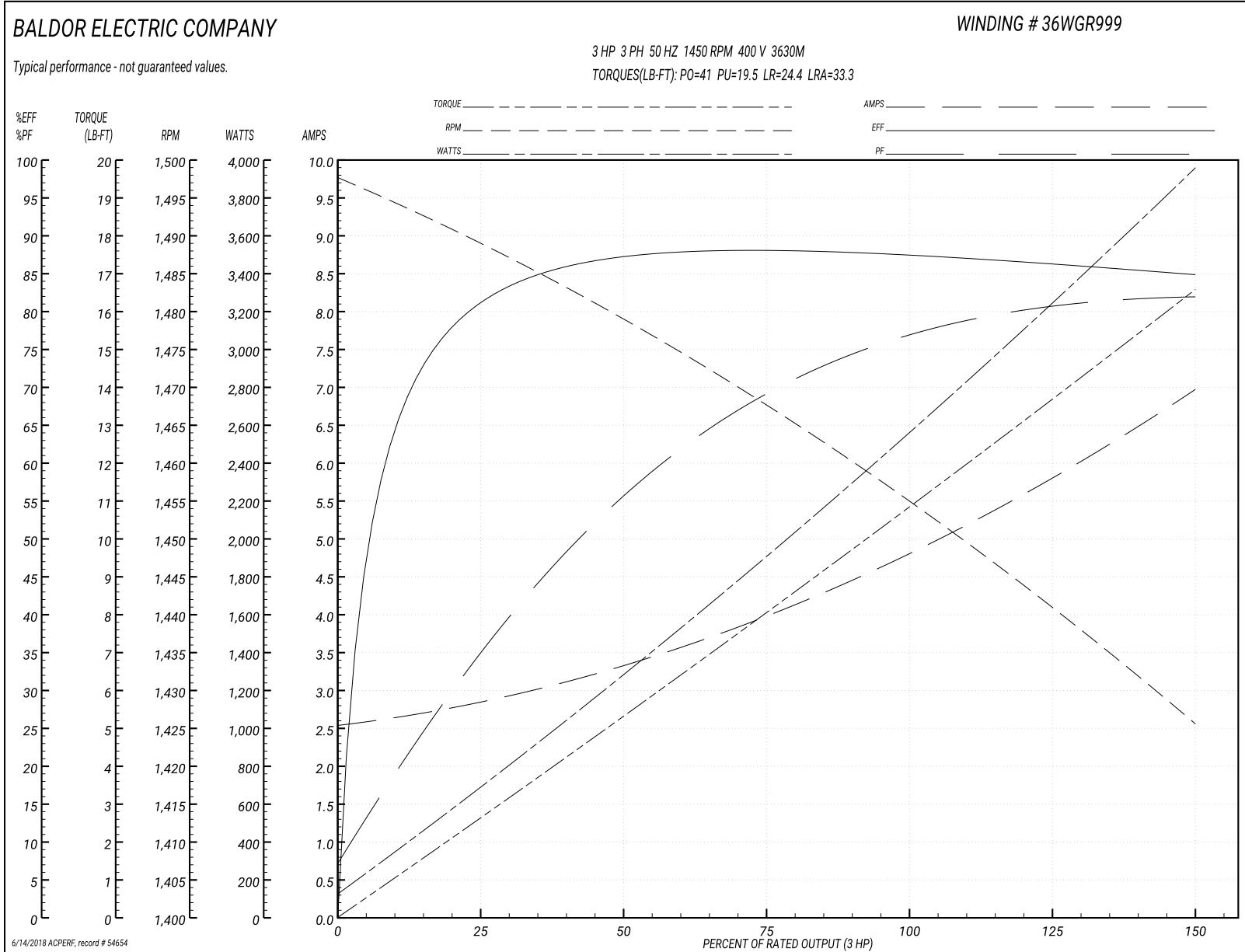
Winding: 36WGR999-R001	Type: 3630M	Enclosure: OPEN
-------------------------------	--------------------	------------------------

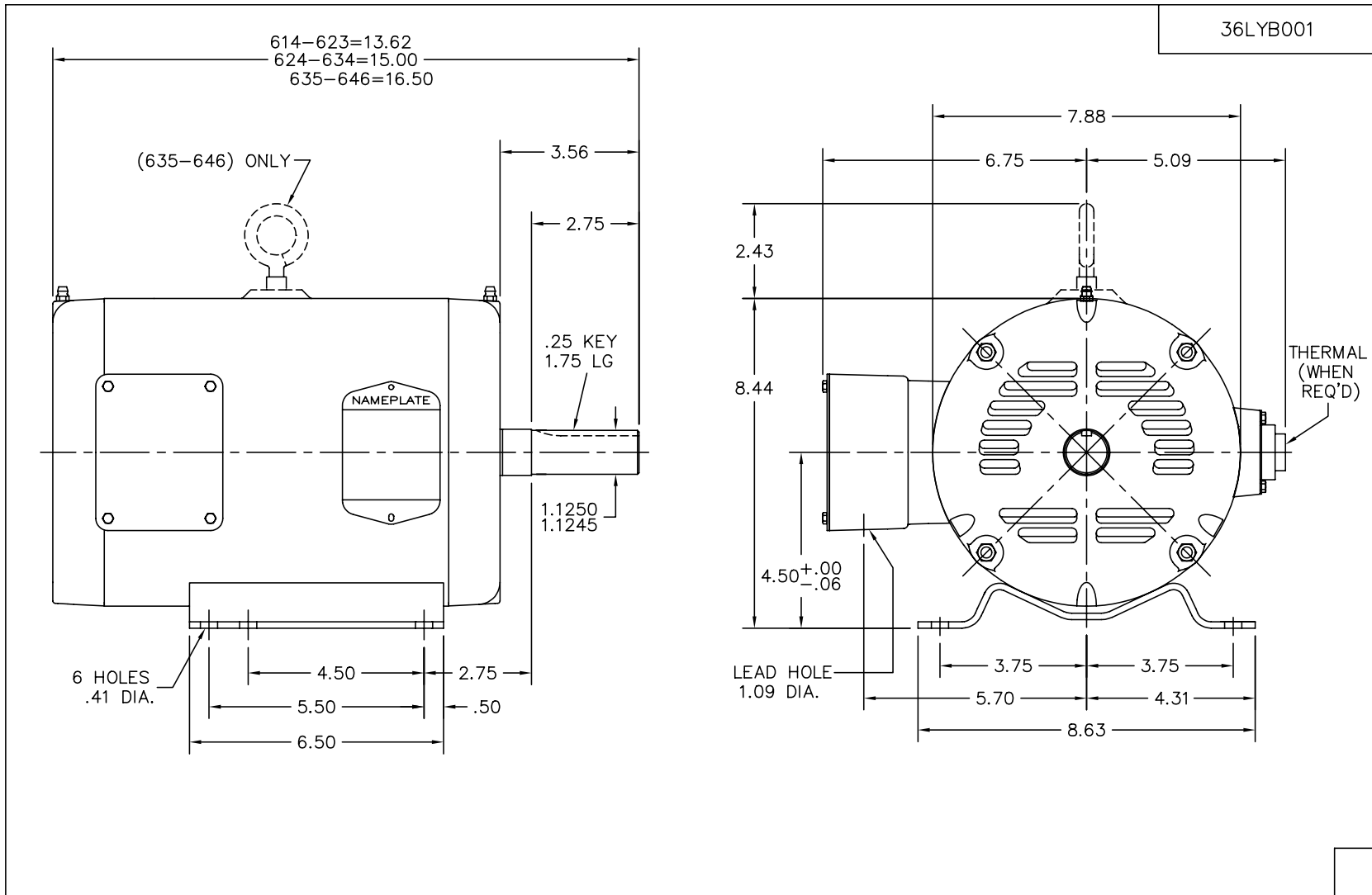
Nameplate Data				400 V, 50 Hz: High Voltage Connection	
Rated Output (HP)	3			Full Load Torque	10.8 LB-FT
Volts	230/400			Start Configuration	direct on line
Full Load Amps	8.4/4.85			Breakdown Torque	41 LB-FT
R.P.M.	1450			Pull-up Torque	19.5 LB-FT
Hz	50	Phase	3	Locked-rotor Torque	24.4 LB-FT
NEMA Design Code	B	KVA Code	J	Starting Current	33.3 A
Service Factor (S.F.)	1.15			No-load Current	2.58 A
NEMA Nom. Eff.	86.7	Power Factor	76	Line-line Res. @ 25°C	3.77 Ω
Rating - Duty	40C AMB-CONT			Temp. Rise @ Rated Load	51°C
S.F. Amps				Temp. Rise @ S.F. Load	62°C
				Locked-rotor Power Factor	48.4
				Rotor inertia	0.279 LB-FT ²

Load Characteristics 400 V, 50 Hz, 3 HP

% of Rated Load	25	50	75	100	125	150	S.F.
Power Factor	35	56	69	76	81	82	79
Efficiency	80.5	86.8	88.1	87.8	86.4	84.8	87
Speed	1489	1479	1467	1456	1442	1425	1448
Line amperes	2.79	3.29	3.97	4.85	5.78	6.95	5.41

Performance Graph at 400V, 50Hz, 3.0HP Typical performance - Not guaranteed values



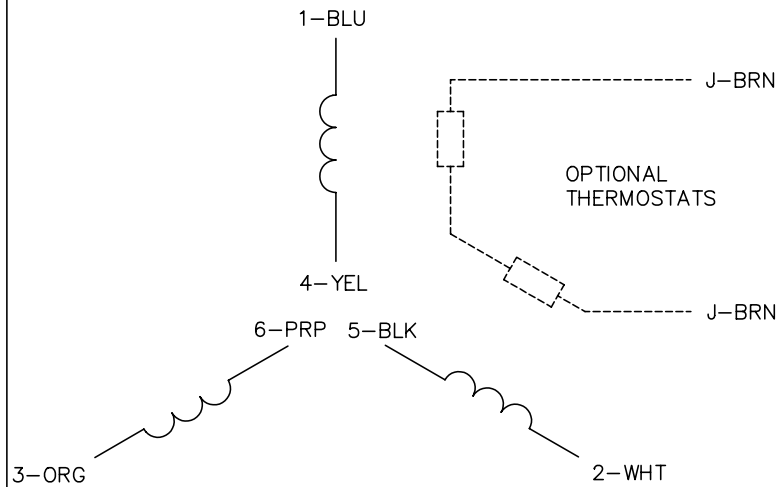


36LYB001

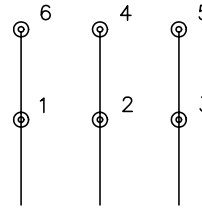
CUST. NAME		CUST. P.O.		CERTIFIED BY		MODEL		INSUL		AMB	
H.P.		MTG		TYPE		R.P.M.		VOLTS		ENCL	
PHASE		FREQ		FRAME		REV. DESC: CHG'D TO HAVE NEW NEC CONDUIT BOX					
REV. LTR: M		BY: JD		REVISED: 05/19/99 3:45		TDR: 0181963					
36LYB001		FILE: AAA00002559		MDL: -							
MTL: -		STANDARD HORZ NEMA 182-4T OPEN 36M									

36LYB001

CD0022

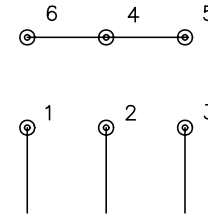


LOW VOLTAGE
(1D)



LINE

HIGH VOLTAGE
(1Y)



LINE

NOTES:

1. INTERCHANGE ANY TWO LINE LEADS TO REVERSE ROTATION.
2. OPTIONAL THERMOSTATS ARE PROVIDED WHEN SPECIFIED.
3. ACTUAL NUMBER OF INTERNAL PARALLEL CIRCUITS MAY BE A MULTIPLE OF THOSE SHOWN ABOVE.
4. LEAD COLORS ARE OPTIONAL. LEADS MUST ALWAYS BE NUMBERED AS SHOWN.

REV. DESC: REVISE TO SHOW OPTIONAL COLORS

REV. LTR: F

BY: JLP

REVISED: 01/21/99 3:54

TDR: 0171435

CD0022

FILE: AAA00005144

MDL: -

MTL: -

BALDOR ELECTRIC Co.

3PH, DV, 6 LEADS, DELTA/WYE CONNECTION

CD0022