

BALDOR® • ***RELIANCE***

Product Information Packet

EM3218T-G

5HP,1750RPM,3PH,60HZ,184T,3640M,OPSB,F1

Copyright © All product information within this document is subject to Baldor Electric Company copyright © protection, unless otherwise noted.

Part Detail									
Revision:	F	Status:	PRD/A	Change #:		Proprietary:	No		
Type:	AC	Prod. Type:	3640M	Elec. Spec:	36WGS270	CD Diagram:			
Enclosure:	OPSB	Mfg Plant:		Mech. Spec:	36M526	Layout:			
Frame:	184T	Mounting:	F1	Poles:	04	Created Date:	08-26-2010		
Base:	RG	Rotation:	R	Insulation:	H	Eff. Date:	06-08-2012		
Leads:	9#16	Literature:		Elec. Diagram:		Replaced By:			
Nameplate NP1259L									
CAT.NO.	EM3218T-G								
SPEC.	36M526S270G1								
HP	5								
VOLTS	208-230/460								
AMP	14-13.2/6.6								
RPM	1750								
FRAME	184T	HZ	60			PH	3		
SER.F.	1.15	CODE	J			DES	B	CL	H
NEMA-NOM-EFF	89.5	PF	80						
RATING	40C AMB-CONT								
CC	010A	USABLE AT 208V	14						
DE	6206	ODE	6205						
ENCL	OPSB	SN							

Parts List		
Part Number	Description	Quantity
SA202035	SA 36M526S270G1	1.000 EA
RA189323	RA 36M526S270G1	1.000 EA
S/P107-000-001	SUPER E PROC'S-FS & WS PLTS-POLYREX EM G	1.000 EA
36CB3004	36 CB CASTING W/1.09 DIA LEAD HOLE @ 6:0	1.000 EA
51XB1016A08	10-16X 1/2HXWSSLD SERTYB	2.000 EA
11XW1032G06	10-32 X .38, TAPTITE II, HEX WSHR SLTD U	1.000 EA
HW3001B01	003SS CUP WASHER, FOR #8 SCREW	1.000 EA
36EP3200A01SP	FR ENDPLATE, MACH	1.000 EA
HW4500A01	1641B(ALEMITE)400 UNIV, GREASE FITT	1.000 EA
HW5100A05	WVY WSHR F/205 & 304 BRGS	1.000 EA
BP5310A01	AEGIS SH GRD ASSY W/RETAINER RING	1.000 EA
36EP3201A39	PU ENDPLATE, MACH	1.000 EA
10XN2520A20	1/4-20X 1 1/4 HEX HD X	2.000 EA
HW1001A25	LOCKWASHER 1/4, ZINC PLT .493 OD, .255 I	2.000 EA
HW4500A01	1641B(ALEMITE)400 UNIV, GREASE FITT	1.000 EA
XY2520A12	1/4-20 HEX NUT, DIRECTIONAL SERRATIONS	4.000 EA
36CB4516	36 LIPPED CB LID	1.000 EA
51XW0832A07	8-32 X .44, TAPTITE II, HEX WSHR SLTD SE	4.000 EA
HW2501E16	3KEY, 1/4 SQ X 1.750	1.000 EA
HA7000A02	KEY RETAINER RING, 1 1/8 DIA, 1 3/8 DIA	1.000 EA
85XU0407S04	4X1/4 U DRIVE PIN STAINLESS	2.000 EA
LB1459	AEGIS SGR LABEL "AEGISLBL-100"	1.000 EA
HA6362ZP	LIFTING LUG FOR 36 FRAME MOTORS.	2.000 EA
MJ1000A75	GREASE, POLYREX EM EXXON	0.050 LB

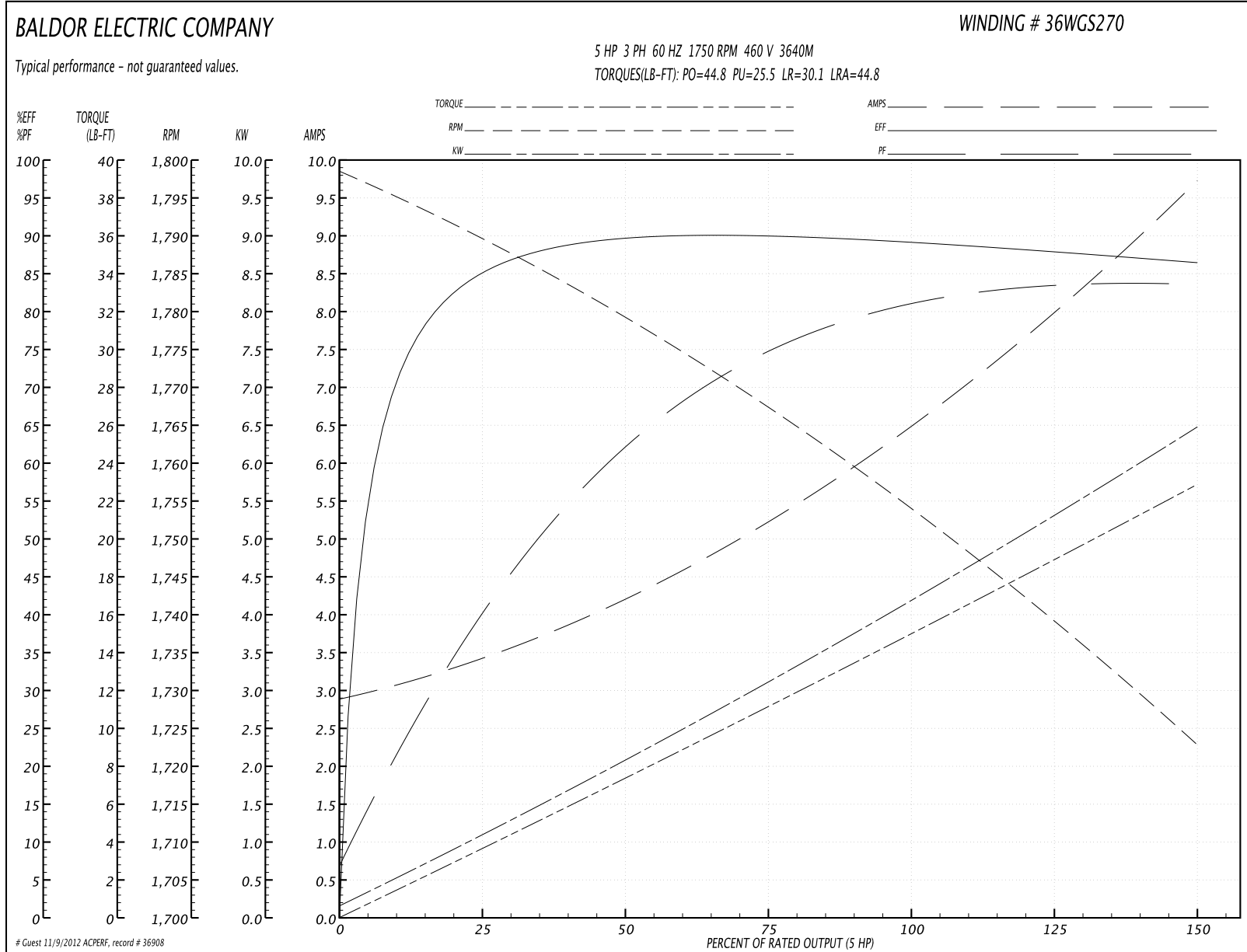
Parts List (continued)		
Part Number	Description	Quantity
MG1000Y03	WILKO 689.710 GOLD PAINT SUPER E	0.022 GA
LB1115	LABEL,LIFTING DEVICE	1.000 EA
HA3101A40	THRUBOLT 1/4-20 X 12.687	4.000 EA
36AD2004A01	BAFFLE PLATE,MOD 36-SLTD BAND MTRS DELTA	2.000 EA
LC0005E01	CONN.DIA./WARNING LABEL (LC0005/LB1119)	1.000 EA
LB1125C02	SUPER-E (STOCK CTN LABEL SUPER-E WITH FL	1.000 EA
NP1259L	ALUM SUPER-E UL CSA-EEV CC NEMA PREMIUM	1.000 EA
36PA1000	PACK GROUP W/LB5001	1.000 EA

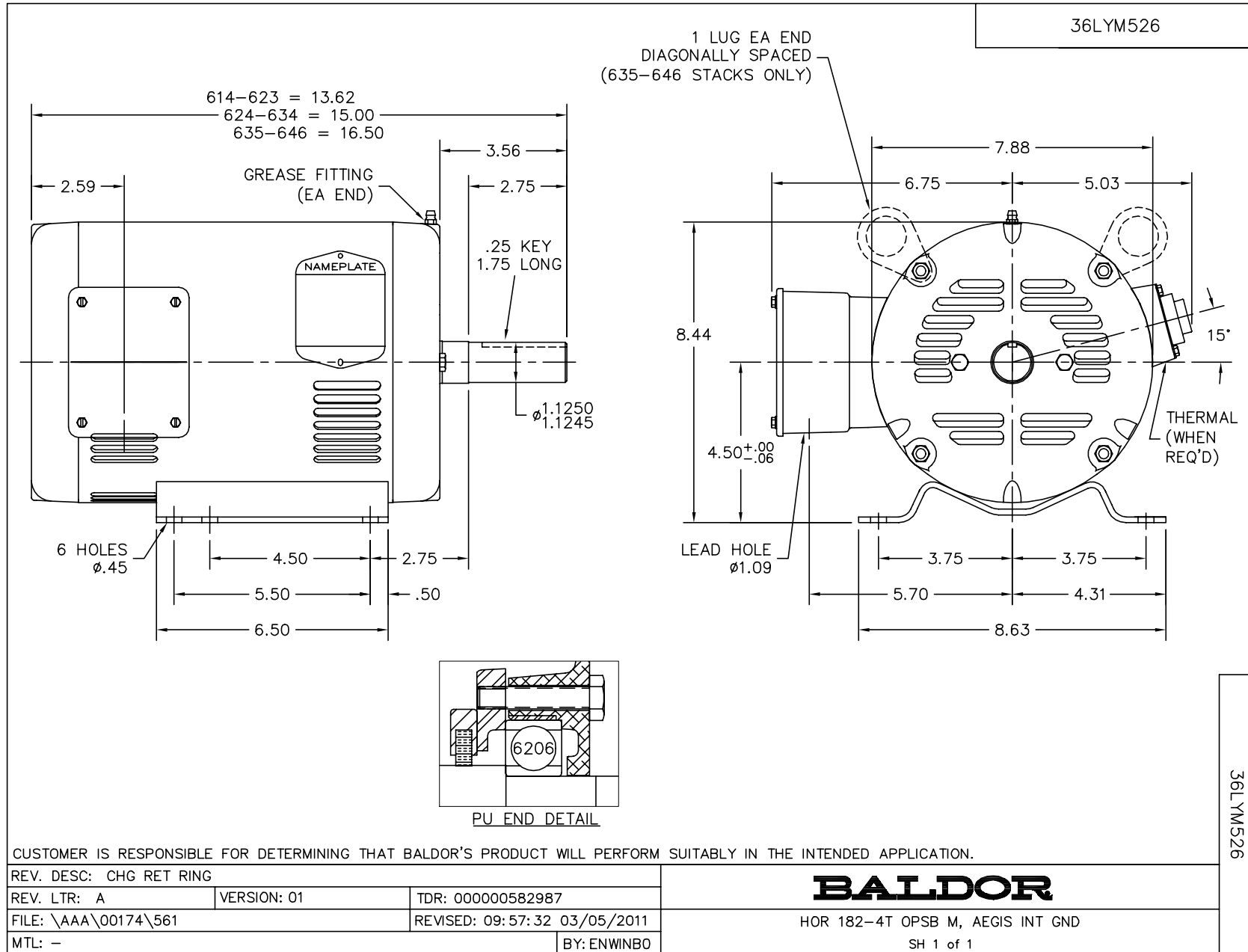
Performance Data at 460V, 60Hz, 5.0HP (Typical performance - Not guaranteed values)

General Characteristics			
Full Load Torque:	15.0 LB-FT	Start Configuration:	DOL
No-Load Current:	2.97 Amps	Break-Down Torque:	44.8 LB-FT
Line-line Res. @ 25°C.:	2.62 Ohms A Ph / 0.0 Ohms B Ph	Pull-Up Torque:	25.5 LB-FT
Temp. Rise @ Rated Load:	44 C	Locked-Rotor Torque:	30.1 LB-FT
Temp. Rise @ S.F. Load:	54 C	Starting Current:	44.8 Amps

Load Characteristics							
% of Rated Load	25	50	75	100	125	150	S.F.
Power Factor:	42.0	64.0	75.0	80.0	83.0	84.0	82.0
Efficiency:	84.4	89.3	89.8	89.4	88.3	86.2	88.7
Speed:	1789.0	1779.0	1767.0	1754.0	1740.0	1722.0	1746.0
Line Amperes:	3.33	4.14	5.26	6.59	8.05	9.68	7.47

Performance Graph at 460V, 60Hz, 5.0HP Typical performance - Not guaranteed values





CD0005

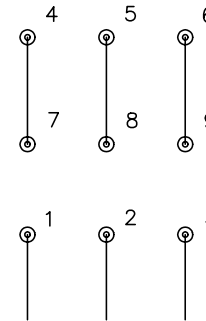


LOW VOLTAGE
(2Y)



LINE

HIGH VOLTAGE
(1Y)



LINE

NOTES:

1. INTERCHANGE ANY TWO LINE LEADS TO REVERSE ROTATION.
2. OPTIONAL THERMOSTATS ARE PROVIDED WHEN SPECIFIED.
3. ACTUAL NUMBER OF INTERNAL PARALLEL CIRCUITS MAY BE A MULTIPLE OF THOSE SHOWN ABOVE.
4. LEAD COLORS ARE OPTIONAL. LEADS MUST ALWAYS BE NUMBERED AS SHOWN.

REV. DESC: REVISE TO SHOW OPTIONAL COLORS			
REV. LTR: E	BY: JLP	REVISED: 01/19/99 10:15	TDR: 0171435
90000		FILE: AAA00005140	MDL: -
		MTL: -	

BALDOR ELECTRIC Co.

3PH, DV, 9 LEADS

CD0005