

# **BALDOR® • RELIANCE**

## **Product Information Packet**

# **EM3218TA**

**5HP,1750RPM,3PH,60HZ,184T,3640M,OPSB,F1**

Copyright © All product information within this document is subject to Baldor Electric Company copyright © protection, unless otherwise noted.

Part Detail									
Revision:	E	Status:	PRD/A	Change #:		Proprietary:	No		
Type:	AC	Prod. Type:	3640M	Elec. Spec:	36WGS536	CD Diagram:			
Enclosure:	OPSB	Mfg Plant:		Mech. Spec:	36H827	Layout:			
Frame:	184T	Mounting:	F1	Poles:	04	Created Date:	11-12-2010		
Base:	RG	Rotation:	R	Insulation:	F	Eff. Date:	05-21-2012		
Leads:	12#16	Literature:		Elec. Diagram:		Replaced By:			
Nameplate NP2601L									
CAT.NO.	EM3218TA								
SPEC.	36H827S536G1								
HP	5								
VOLTS	208-230/460								
AMP	14-13.2/6.6								
RPM	1750								
FRAME	184T	HZ	60	PH	3				
SER.F.	1.15	CODE	J	DES	B	CL	F		
NEMA-NOM-EFF	89.5	PF	80						
RATING	40C AMB-CONT								
CC	010A	USABLE AT 208V	14						
DE	6206	ODE	6205						
ENCL	OPSB	SN							

Parts List		
Part Number	Description	Quantity
SA210642	SA 36H827S536G1	1.000 EA
RA197880	RA 36H827S536G1	1.000 EA
TPBYV35KR	THERMAL 3PH 1.25 AUT 135C	1.000 EA
S/P107-000-001	SUPER E PROC'S-FS & WS PLTS-POLYREX EM G	1.000 EA
36CB3004A42	36 CB 1.09 @ 6, 1.25 ATO @ 3	1.000 EA
36GS1000SP	GASKET-CONDUIT BOX, .06 THICK #SV-330 LE	1.000 EA
51XB1016A08	10-16X 1/2HXWSSLD SERTYB	2.000 EA
11XW1032G06	10-32 X .38, TAPTITE II, HEX WSHR SLTD U	1.000 EA
HA6015A09	THERMAL RETAINER	1.000 EA
51XB1214A10	12-14 X 5/8HX WS SL SR TYBX	2.000 EA
36EP3200A01SP	FR ENDPLATE, MACH	1.000 EA
HW4500A01	1641B(ALEMITE)400 UNIV, GREASE FITT	1.000 EA
HW5100A05	WVY WSHR F/205 & 304 BRGS	1.000 EA
36EP3201A01	PU ENDPLATE, MACH 182-4T	1.000 EA
HW4500A01	1641B(ALEMITE)400 UNIV, GREASE FITT	1.000 EA
XY2520A12	1/4-20 HEX NUT, DIRECTIONAL SERRATIONS	4.000 EA
36CB4516	36 LIPPED CB LID	1.000 EA
37GS1001SP	GASKET, CONDUIT BOX LID, .06 THICK LEXID	1.000 EA
51XW0832A07	8-32 X .44, TAPTITE II, HEX WSHR SLTD SE	4.000 EA
HW2501E16	3KEY, 1/4 SQ X 1.750	1.000 EA
HA7000A02	KEY RETAINER RING, 1 1/8 DIA, 1 3/8 DIA	1.000 EA
85XU0407S04	4X1/4 U DRIVE PIN STAINLESS	2.000 EA
HA6362ZP	LIFTING LUG FOR 36 FRAME MOTORS.	2.000 EA
MJ1000A75	GREASE, POLYREX EM EXXON	0.050 LB

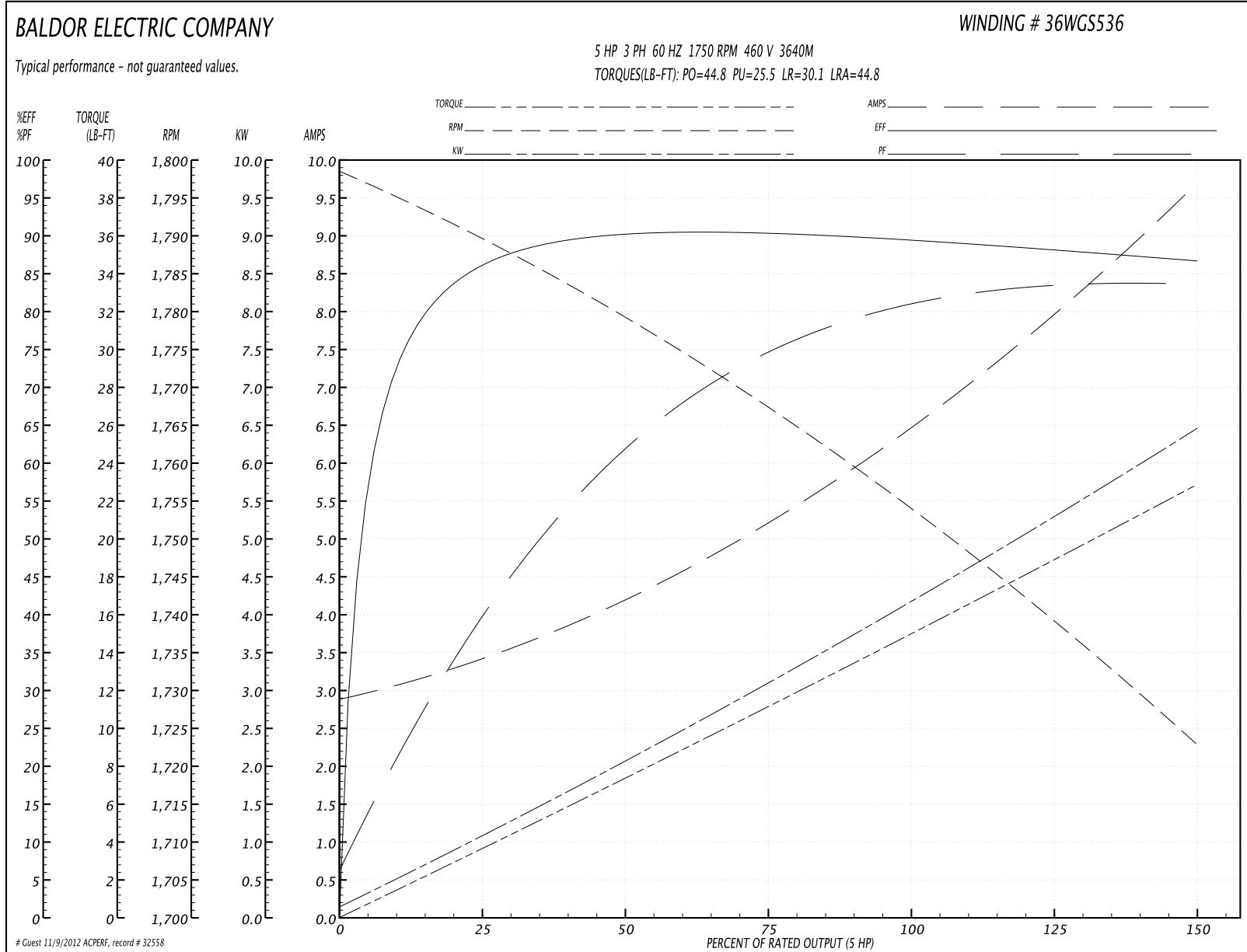
Parts List (continued)		
Part Number	Description	Quantity
MG1000Y03	WILKO 689.710 GOLD PAINT SUPER E	0.022 GA
LB1115	LABEL,LIFTING DEVICE	1.000 EA
36AD2004A01	BAFFLE PLATE,MOD 36-SLTD BAND MTRS DELTA	2.000 EA
HA3101A40	THRUBOLT 1/4-20 X 12.687	4.000 EA
LB1118	LABEL,WARNING (ROLL LABEL)	1.000 EA
LB1125C02	SUPER-E (STOCK CTN LABEL SUPER-E WITH FL	1.000 EA
LC0007	CONN.DIAGRAM (3PHASE W/THERMAL)	1.000 EA
LB1357	ENERGY GUIDE LABEL (BOX LABEL)	1.000 SH
NP2601L	ALUM SUPER-E UL CSA-EEV PREM CC THERMAL	1.000 EA
36PA1000	PACK GROUP W/LB5001	1.000 EA

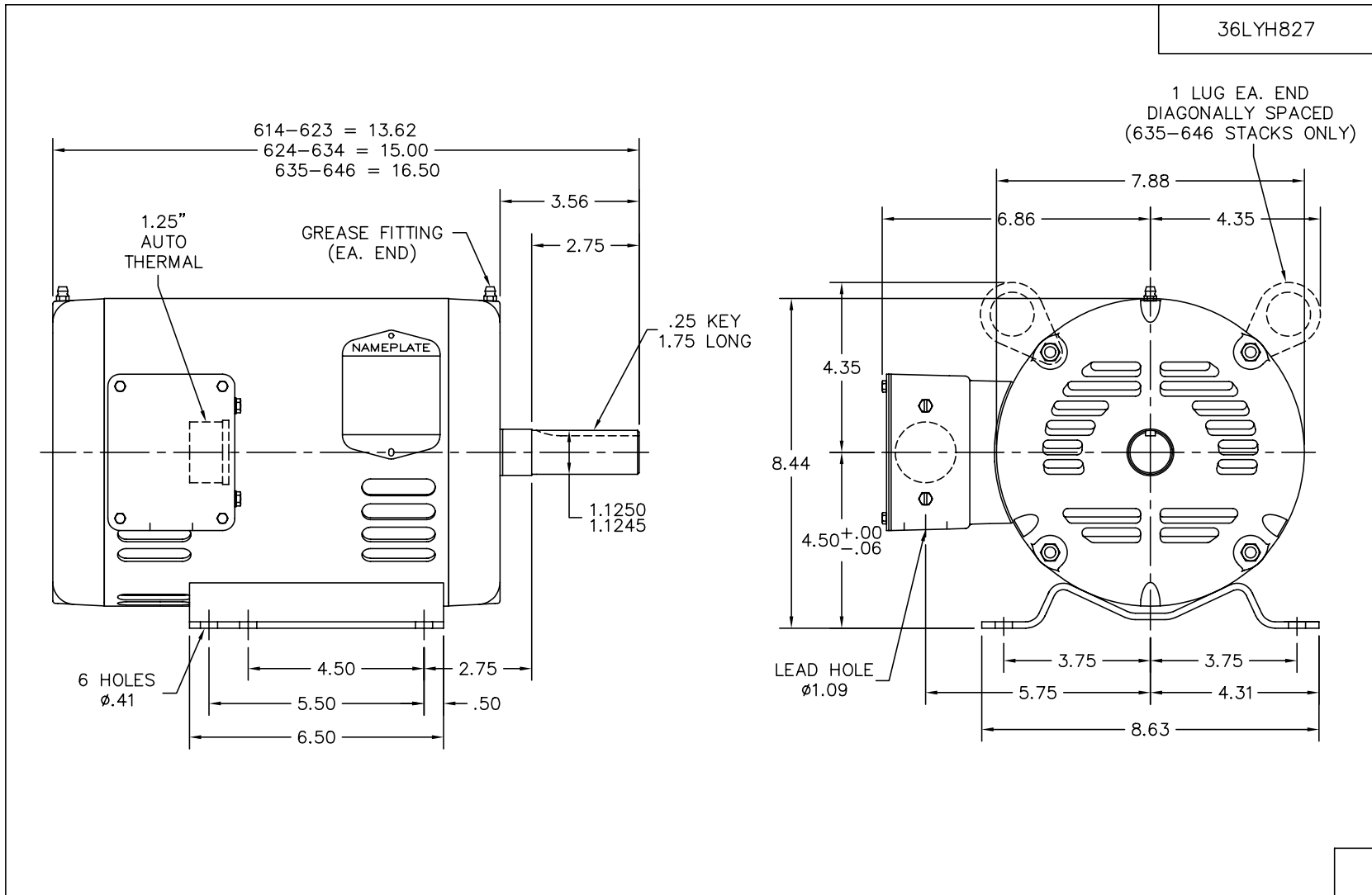
**Performance Data at 460V, 60Hz, 5.0HP (Typical performance - Not guaranteed values)**

General Characteristics			
Full Load Torque:	15.0 LB-FT	Start Configuration:	DOL
No-Load Current:	2.97 Amps	Break-Down Torque:	44.8 LB-FT
Line-line Res. @ 25°C.:	2.62 Ohms A Ph / 0.0 Ohms B Ph	Pull-Up Torque:	25.5 LB-FT
Temp. Rise @ Rated Load:	44 C	Locked-Rotor Torque:	30.1 LB-FT
Temp. Rise @ S.F. Load:	54 C	Starting Current:	44.8 Amps

Load Characteristics							
% of Rated Load	25	50	75	100	125	150	S.F.
Power Factor:	42.0	63.0	75.0	80.0	83.0	84.0	82.0
Efficiency:	85.4	89.8	90.2	89.6	88.5	86.5	88.9
Speed:	1789.0	1779.0	1767.0	1754.0	1740.0	1722.0	1746.0
Line Amperes:	3.32	4.13	5.25	6.57	8.03	9.65	7.45

Performance Graph at 460V, 60Hz, 5.0HP Typical performance - Not guaranteed values

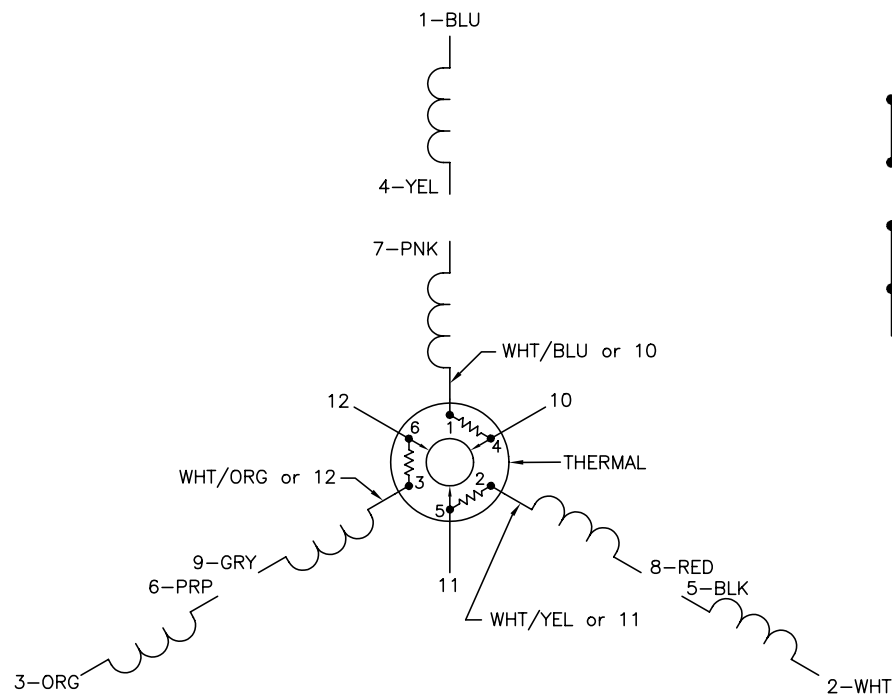




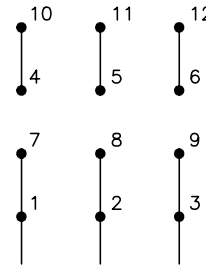
CUST. NAME		CUST. P.O.		CERTIFIED BY		MODEL		INSUL		AMB	
H.P.		MTG		TYPE		R.P.M.		VOLTS		ENCL	
REV. LTR: B		BY: SSS		REVISED: 12/15/98 9:53		TDR: 0169072		<b>BALDOR ELECTRIC Co.</b>		HOR 182-4T OPSB M W/1.25" ATO IN KO BOX	
FILE: AAA00044646		MDL: -									
36LYH827		MTL: -									

36LYH827

CD0007

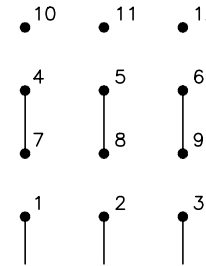


LOW VOLTAGE  
(2Y)



LINE

HIGH VOLTAGE  
(1Y)



LINE

NOTES:

1. INTERCHANGE ANY TWO LINE LEADS TO REVERSE ROTATION.
2. ACTUAL NUMBER OF INTERNAL PARALLEL CIRCUITS MAY VARY.
3. LEAD COLORS ARE OPTIONAL. LEADS MUST ALWAYS BE NUMBERED AS SHOWN.

REV. DESC: ADDED "CK" PLANT CODE			
REV. LTR: E	BY: EAH	REVISED: 05/06/99 17:1	TDR: 0181040
L00000		FILE: AAA00008370	MDL: -
		MTL: -	

**BALDOR ELECTRIC Co.**

3PH, DV, THERMAL, 12 LEADS

CD0007