

BALDOR® • *RELIANCE*

Product Information Packet

EM3313T-5

10HP,1770RPM,3PH,60HZ,215T,3739M,OPSB,F1

Copyright © All product information within this document is subject to Baldor Electric Company copyright © protection, unless otherwise noted.

Part Detail							
Revision:	E	Status:	PRD/A	Change #:		Proprietary:	No
Type:	AC	Prod. Type:	3739M	Elec. Spec:	37WGT932	CD Diagram:	
Enclosure:	OPSB	Mfg Plant:		Mech. Spec:	37F614	Layout:	
Frame:	215T	Mounting:	F1	Poles:	04	Created Date:	03-19-2009
Base:	RG	Rotation:	R	Insulation:	F	Eff. Date:	10-13-2011
Leads:	3#14	Literature:		Elec. Diagram:		Replaced By:	

Nameplate NP1259L										
CAT.NO.	EM3313T-5									
SPEC.	37F614T932									
HP	10									
VOLTS	575									
AMP	10									
RPM	1770									
FRAME	215T	HZ				60	PH	3		
SER.F.	1.15	CODE				H	DES	B	CL	F
NEMA-NOM-EFF	91.7	PF				82				
RATING	40C AMB-CONT									
CC	010A	USABLE AT 208V								
DE	6307	ODE				6206				
ENCL	OPSB	SN								

Parts List		
Part Number	Description	Quantity
SA180692	SA 37F614T932	1.000 EA
RA168647	RA 37F614T932	1.000 EA
S/P107-000-001	SUPER E PROC'S-FS & WS PLTS-POLYREX EM G	1.000 EA
HA6361A01	LIFTING LUG FOR 37, 39 & 40 FRAME (AUTOP	2.000 EA
37CB3006	37 CB CASTING W/1.38 LEAD HOLE @ 6:00	1.000 EA
51XW2520A10	.25-20 X .62, TAPTITE II, HEX WSHR SLTD	2.000 EA
11XW1032G06	10-32 X .38, TAPTITE II, HEX WSHR SLTD U	1.000 EA
37EP3200A01SP	FR ENDPLATE, 37L&M, OPEN, MACH, W/GREASE	1.000 EA
HW4500A01	1641B(ALEMITE)400 UNIV, GREASE FITT	1.000 EA
HW5100A06	W2420-025 WVY WSHR (WB)	1.000 EA
37EP3201A01	PU ENDPLATE, MACH 213-5T	1.000 EA
HW4500A01	1641B(ALEMITE)400 UNIV, GREASE FITT	1.000 EA
XY3118A12	5/16-18 HEX NUT DIRECTIONAL SERRATION	4.000 EA
37CB4516	LIPPED LID FOR 37 FRAME NEC KOBX	1.000 EA
51XW0832A07	8-32 X .44, TAPTITE II, HEX WSHR SLTD SE	4.000 EA
HW2501F21	KEY, 5/16 SQ X 2.375	1.000 EA
HA7000A02	KEY RETAINER RING, 1 1/8 DIA, 1 3/8 DIA	1.000 EA
85XU0407S04	4X1/4 U DRIVE PIN STAINLESS	2.000 EA
LB1115	LABEL,LIFTING DEVICE	1.000 EA
MJ1000A75	GREASE, POLYREX EM EXXON	0.050 LB
MG1000Y03	WILKO 689.710 GOLD PAINT SUPER E	0.028 GA
HA3104A35	THRUBOLT .31-18 X 13.687	4.000 EA
37AD2001A01	BAFFLE PLATE, STAMPED	2.000 EA
LB1119	WARNING LABEL	1.000 EA

Parts List (continued)		
Part Number	Description	Quantity
LB1125C02	SUPER-E (STOCK CTN LABEL SUPER-E WITH FL	1.000 EA
LC0006	CONNECTION LABEL	1.000 EA
LB1357	ENERGY GUIDE LABEL (BOX LABEL)	1.000 SH
NP1259L	ALUM SUPER-E UL CSA-EEV CC NEMA PREMIUM	1.000 EA
G0PA1000	PACKAGING GROUP	1.000 EA

Accessories		
Part Number	Description	Multiplier
37-1404	C FACE KIT	A8

Performance Data at 575V, 60Hz, 10.0HP (Typical performance - Not guaranteed values)

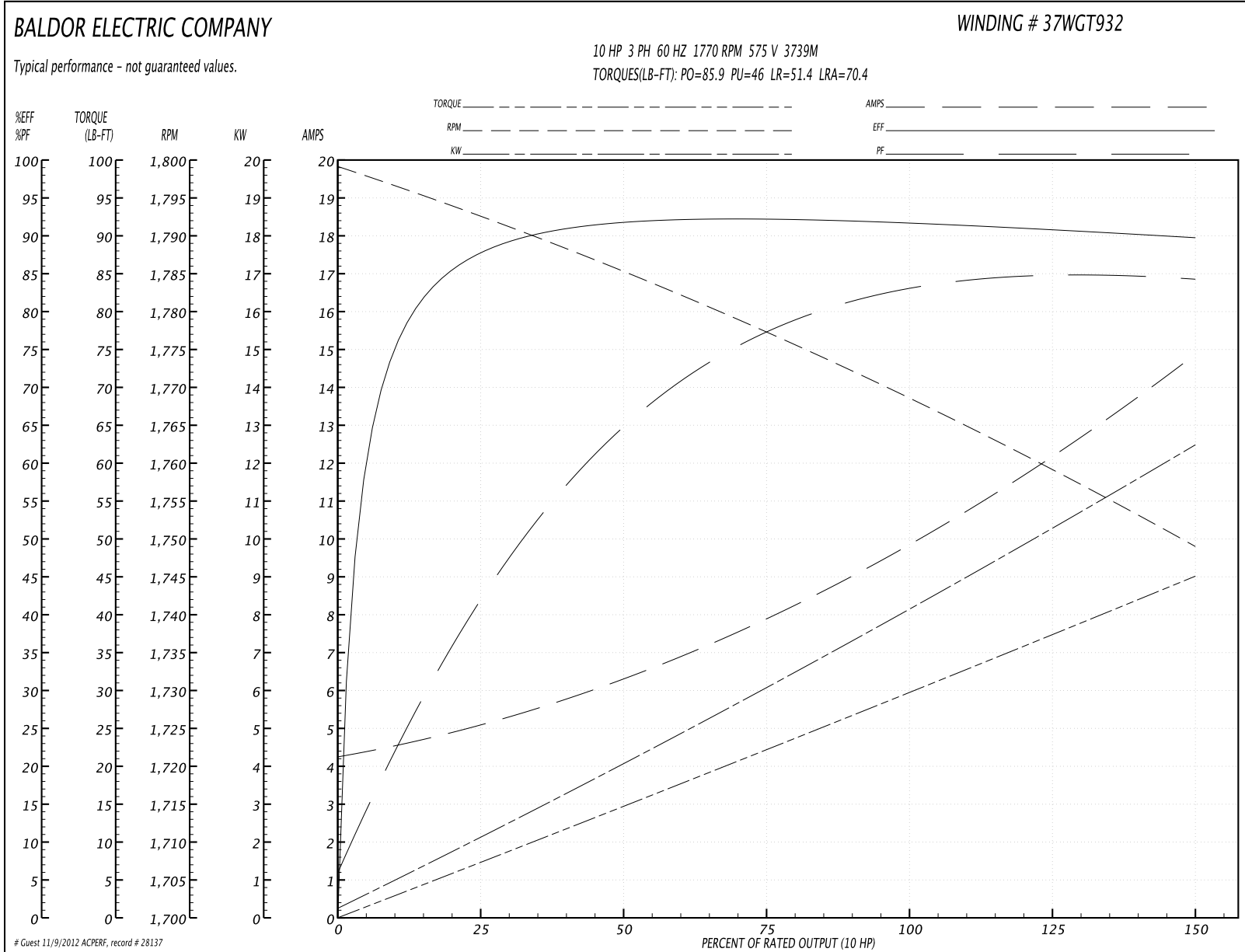
General Characteristics

Full Load Torque:	29.7 LB-FT	Start Configuration:	DOL
No-Load Current:	4.39 Amps	Break-Down Torque:	85.9 LB-FT
Line-line Res. @ 25°C.:	1.72 Ohms A Ph / 0.0 Ohms B Ph	Pull-Up Torque:	46.0 LB-FT
Temp. Rise @ Rated Load:	34 C	Locked-Rotor Torque:	51.4 LB-FT
Temp. Rise @ S.F. Load:	42 C	Starting Current:	70.4 Amps

Load Characteristics

% of Rated Load	25	50	75	100	125	150	S.F.
Power Factor:	44.0	66.0	77.0	82.0	85.0	85.0	84.0
Efficiency:	87.1	91.7	92.3	91.6	90.9	89.7	91.2
Speed:	1793.0	1785.0	1777.0	1769.0	1759.0	1749.0	1763.0
Line Amperes:	4.91	6.22	7.93	10.0	12.2	14.8	11.3

Performance Graph at 575V, 60Hz, 10.0HP Typical performance - Not guaranteed values



Performance Data at 575V, 60Hz, 10.0HP (Typical performance - Not guaranteed values)

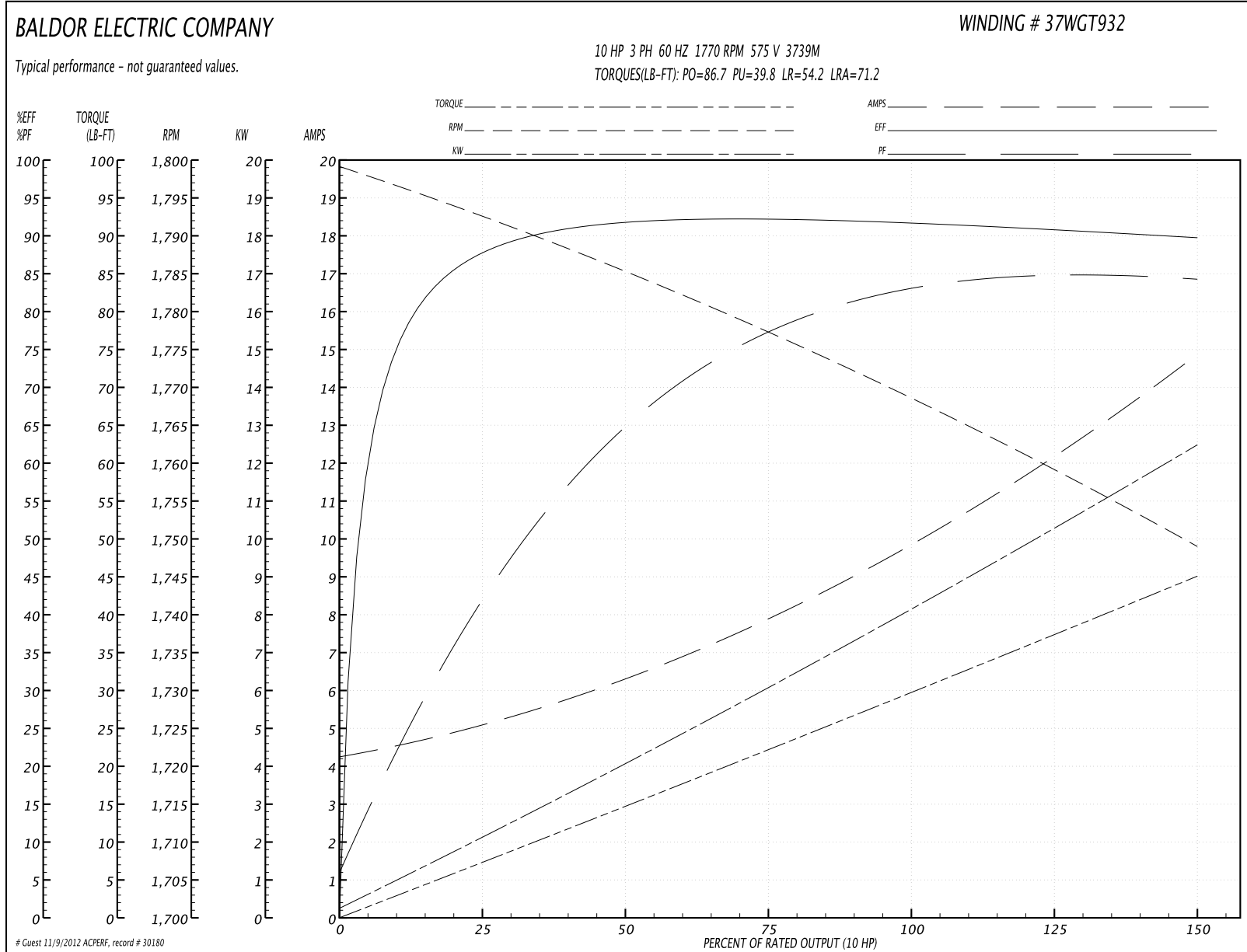
General Characteristics

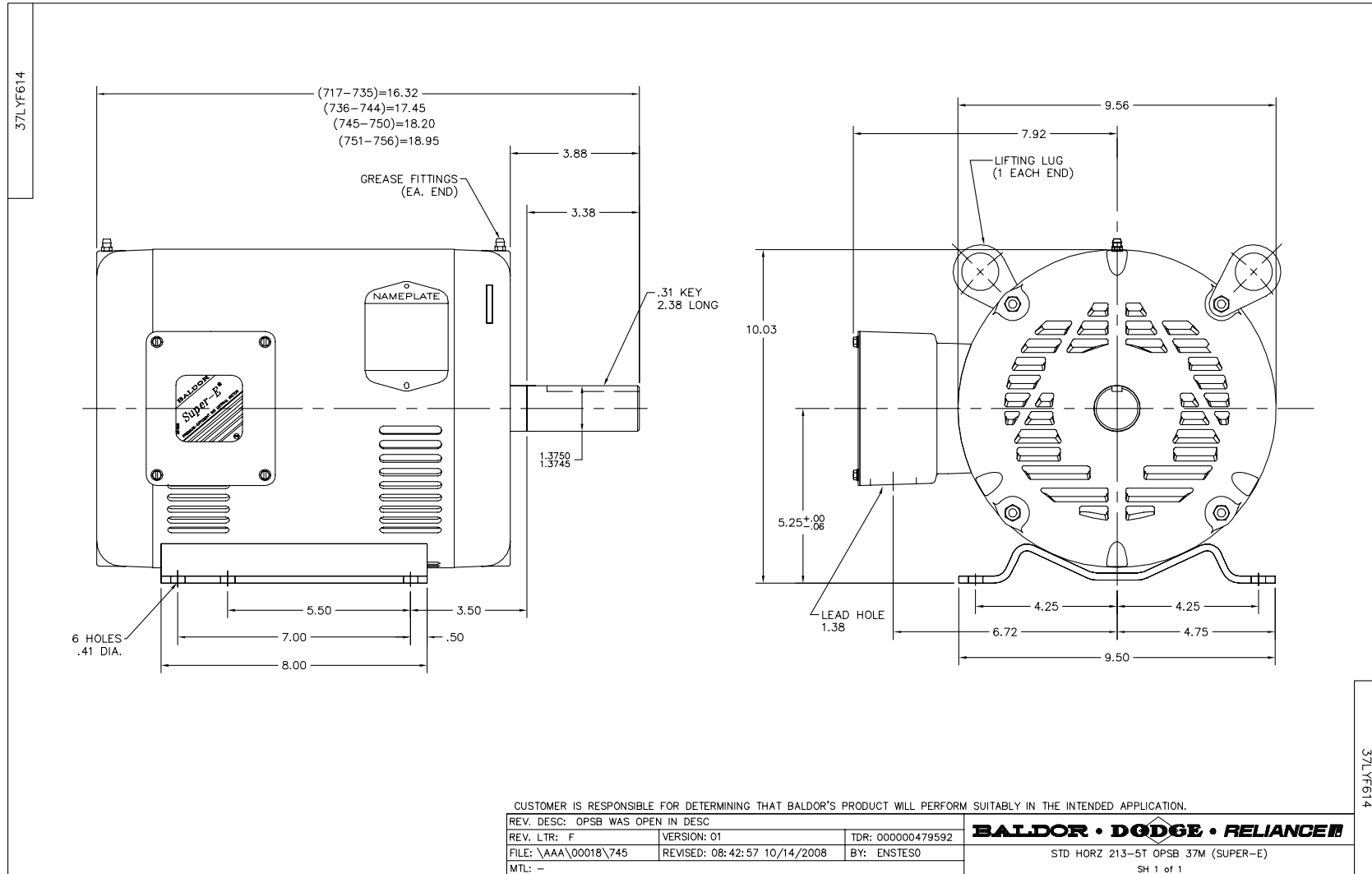
Full Load Torque:	29.7 LB-FT	Start Configuration:	DOL
No-Load Current:	4.39 Amps	Break-Down Torque:	86.7 LB-FT
Line-line Res. @ 25°C.:	1.72 Ohms A Ph / 0.0 Ohms B Ph	Pull-Up Torque:	39.8 LB-FT
Temp. Rise @ Rated Load:	34 C	Locked-Rotor Torque:	54.2 LB-FT
Temp. Rise @ S.F. Load:	42 C	Starting Current:	71.2 Amps

Load Characteristics

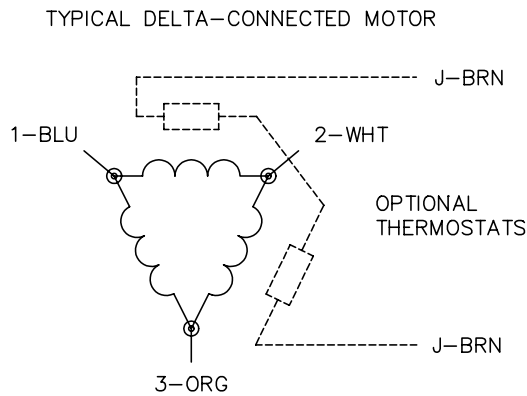
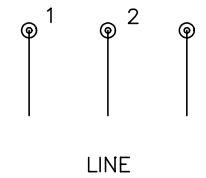
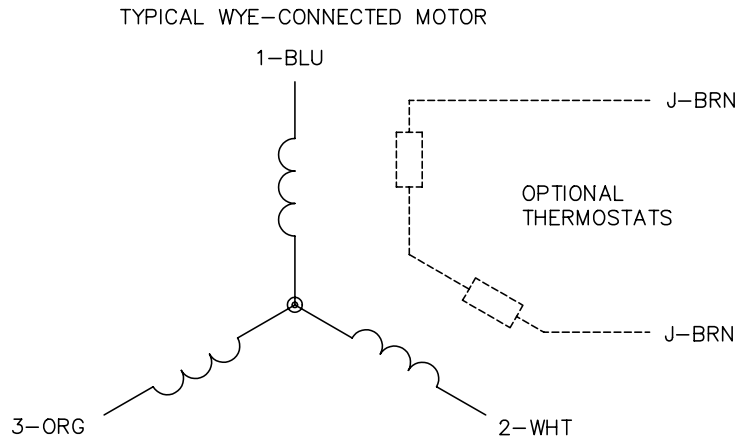
% of Rated Load	25	50	75	100	125	150	S.F.
Power Factor:	44.0	66.0	77.0	82.0	85.0	85.0	84.0
Efficiency:	87.1	91.7	92.3	91.7	90.9	89.7	91.2
Speed:	1793.0	1785.0	1777.0	1769.0	1759.0	1749.0	1763.0
Line Amperes:	4.91	6.22	7.93	10.0	12.2	14.8	11.3

Performance Graph at 575V, 60Hz, 10.0HP Typical performance - Not guaranteed values





CD0006



NOTES:

1. THREE LEAD MOTOR MAY BE EITHER WYE CONNECTED OR DELTA CONNECTED.
2. INTERCHANGE ANY TWO LINE LEADS TO REVERSE ROTATION.
3. OPTIONAL THERMOSTATS ARE PROVIDED WHEN SPECIFIED.
4. ACTUAL NUMBER OF INTERNAL PARALLEL CIRCUITS MAY VARY.
5. LEAD COLORS ARE OPTIONAL. LEADS MUST BE NUMBERED AS SHOWN.

REV. DESC: REVISE TO SHOW OPTIONAL COLORS			
REV. LTR: D	BY: JLP	REVISED: 01/21/99 4:02	TDR: 0171435
9000D		FILE: AAA00005141	MDL: -
		MTL: -	

BALDOR ELECTRIC Co.

3PH, SV, 3 LEADS, WYE OR DELTA CONNECTED

CD0006