

BALDOR® • **RELIANCE**

Product Information Packet

EM3313T-8

10HP,1770RPM,3PH,60HZ,215T,3739M,OPSB,F1

Copyright © All product information within this document is subject to Baldor Electric Company copyright © protection, unless otherwise noted.

| Part Detail | | | | | | | |
|-------------|------|-------------|-------|----------------|----------|---------------|------------|
| Revision: | H | Status: | PRD/A | Change #: | | Proprietary: | No |
| Type: | AC | Prod. Type: | 3739M | Elec. Spec: | 37WGT937 | CD Diagram: | |
| Enclosure: | OPSB | Mfg Plant: | | Mech. Spec: | 37F614 | Layout: | |
| Frame: | 215T | Mounting: | F1 | Poles: | 04 | Created Date: | 03-15-2006 |
| Base: | RG | Rotation: | R | Insulation: | F | Eff. Date: | 08-26-2010 |
| Leads: | 3#10 | Literature: | | Elec. Diagram: | | Replaced By: | |

| Nameplate NP1259L | | | | | | | | | | |
|-------------------|--------------|----------------|--|--|--|------|-----|---|----|---|
| CAT.NO. | EM3313T-8 | | | | | | | | | |
| SPEC. | 37F614T937 | | | | | | | | | |
| HP | 10 | | | | | | | | | |
| VOLTS | 200 | | | | | | | | | |
| AMP | 29.5 | | | | | | | | | |
| RPM | 1770 | | | | | | | | | |
| FRAME | 215T | HZ | | | | 60 | PH | 3 | | |
| SER.F. | 1.15 | CODE | | | | H | DES | B | CL | F |
| NEMA-NOM-EFF | 91.7 | PF | | | | 82 | | | | |
| RATING | 40C AMB-CONT | | | | | | | | | |
| CC | 010A | USABLE AT 208V | | | | 30.3 | | | | |
| DE | 6307 | ODE | | | | 6206 | | | | |
| ENCL | OPSB | SN | | | | | | | | |
| | | | | | | | | | | |

| Parts List | | |
|----------------|--|----------|
| Part Number | Description | Quantity |
| SA140179 | SA 37F614T937 | 1.000 EA |
| RA129604 | RA 37F614T937 | 1.000 EA |
| S/P107-000-001 | SUPER E PROC'S-FS & WS PLTS-POLYREX EM G | 1.000 EA |
| HA6361A01 | LIFTING LUG FOR 37, 39 & 40 FRAME (AUTOP | 2.000 EA |
| 37CB3006 | 37 CB CASTING W/1.38 LEAD HOLE @ 6:00 | 1.000 EA |
| 51XW2520A10 | .25-20 X .62, TAPTITE II, HEX WSHR SLTD | 2.000 EA |
| 11XW1032G06 | 10-32 X .38, TAPTITE II, HEX WSHR SLTD U | 1.000 EA |
| 37EP3200A01SP | FR ENDPLATE, 37L&M, OPEN, MACH, W/GREASE | 1.000 EA |
| HW4500A01 | 1641B(ALEMITE)400 UNIV, GREASE FITT | 1.000 EA |
| HW5100A06 | W2420-025 WVY WSHR (WB) | 1.000 EA |
| 37EP3201A01 | PU ENDPLATE, MACH 213-5T | 1.000 EA |
| HW4500A01 | 1641B(ALEMITE)400 UNIV, GREASE FITT | 1.000 EA |
| XY3118A12 | 5/16-18 HEX NUT DIRECTIONAL SERRATION | 4.000 EA |
| 37CB4516 | LIPPED LID FOR 37 FRAME NEC KOBX | 1.000 EA |
| 51XW0832A07 | 8-32 X .44, TAPTITE II, HEX WSHR SLTD SE | 4.000 EA |
| HW2501F21 | KEY, 5/16 SQ X 2.375 | 1.000 EA |
| HA7000A02 | KEY RETAINER RING, 1 1/8 DIA, 1 3/8 DIA | 1.000 EA |
| 85XU0407S04 | 4X1/4 U DRIVE PIN STAINLESS | 2.000 EA |
| LB1115 | LABEL,LIFTING DEVICE | 1.000 EA |
| MJ1000A75 | GREASE, POLYREX EM EXXON | 0.050 LB |
| HA3104A35 | THRUBOLT .31-18 X 13.687 | 4.000 EA |
| 37AD2001A01 | BAFFLE PLATE, STAMPED | 2.000 EA |
| MG1000Y03 | WILKO 689.710 GOLD PAINT SUPER E | 0.028 GA |
| LB1119 | WARNING LABEL | 1.000 EA |

| Parts List (continued) | | |
|------------------------|--|----------|
| Part Number | Description | Quantity |
| LB1125C02 | SUPER-E (STOCK CTN LABEL SUPER-E WITH FL | 1.000 EA |
| LC0006 | CONNECTION LABEL | 1.000 EA |
| LB1357 | ENERGY GUIDE LABEL (BOX LABEL) | 1.000 SH |
| NP1259L | ALUM SUPER-E UL CSA-EEV CC NEMA PREMIUM | 1.000 EA |
| 36PA1001 | PACKAGING GROUP | 1.000 EA |

| Accessories | | |
|-------------|-------------|------------|
| Part Number | Description | Multiplier |
| 37-1404 | C FACE KIT | A8 |

Performance Data at 200V, 60Hz, 10.0HP (Typical performance - Not guaranteed values)

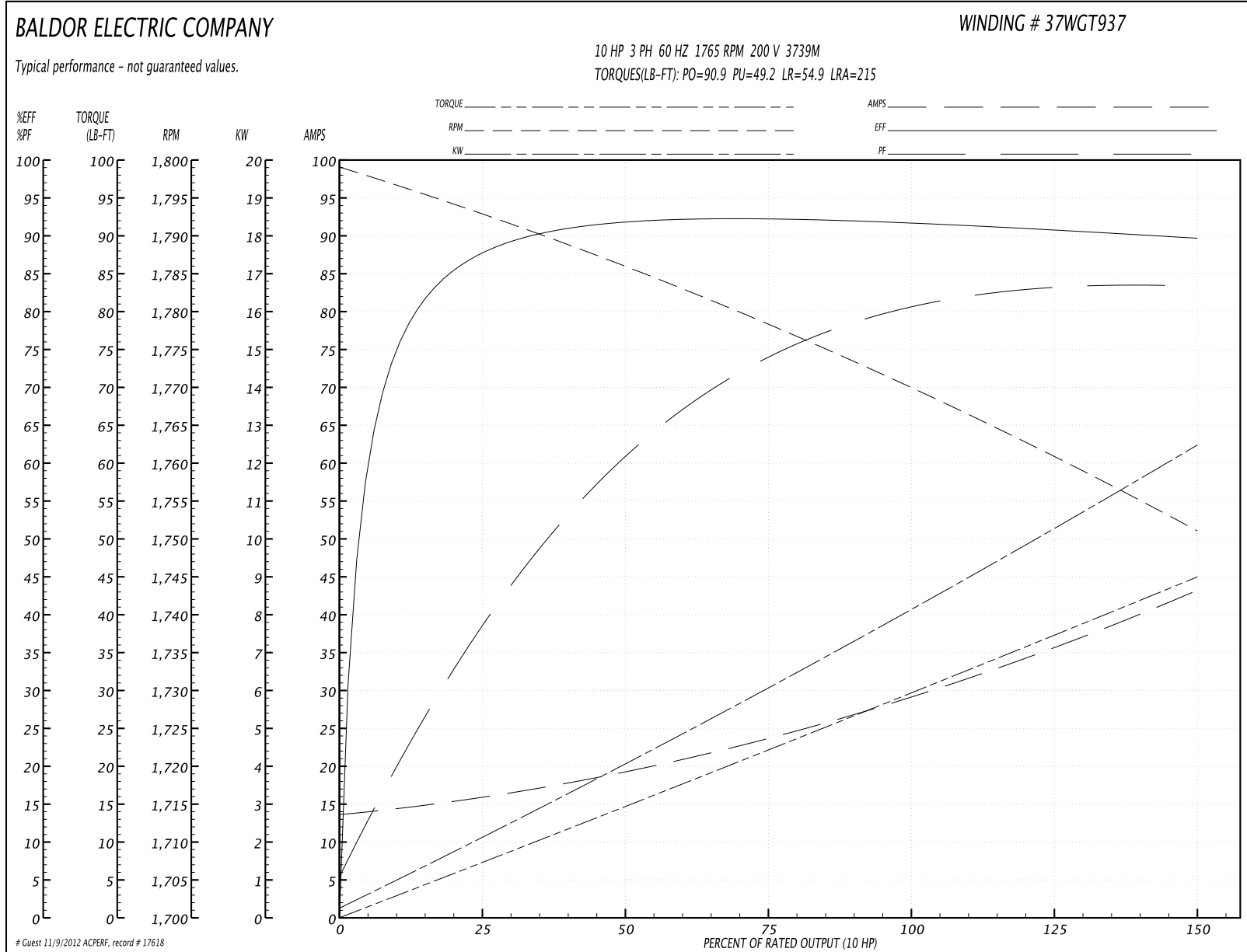
General Characteristics

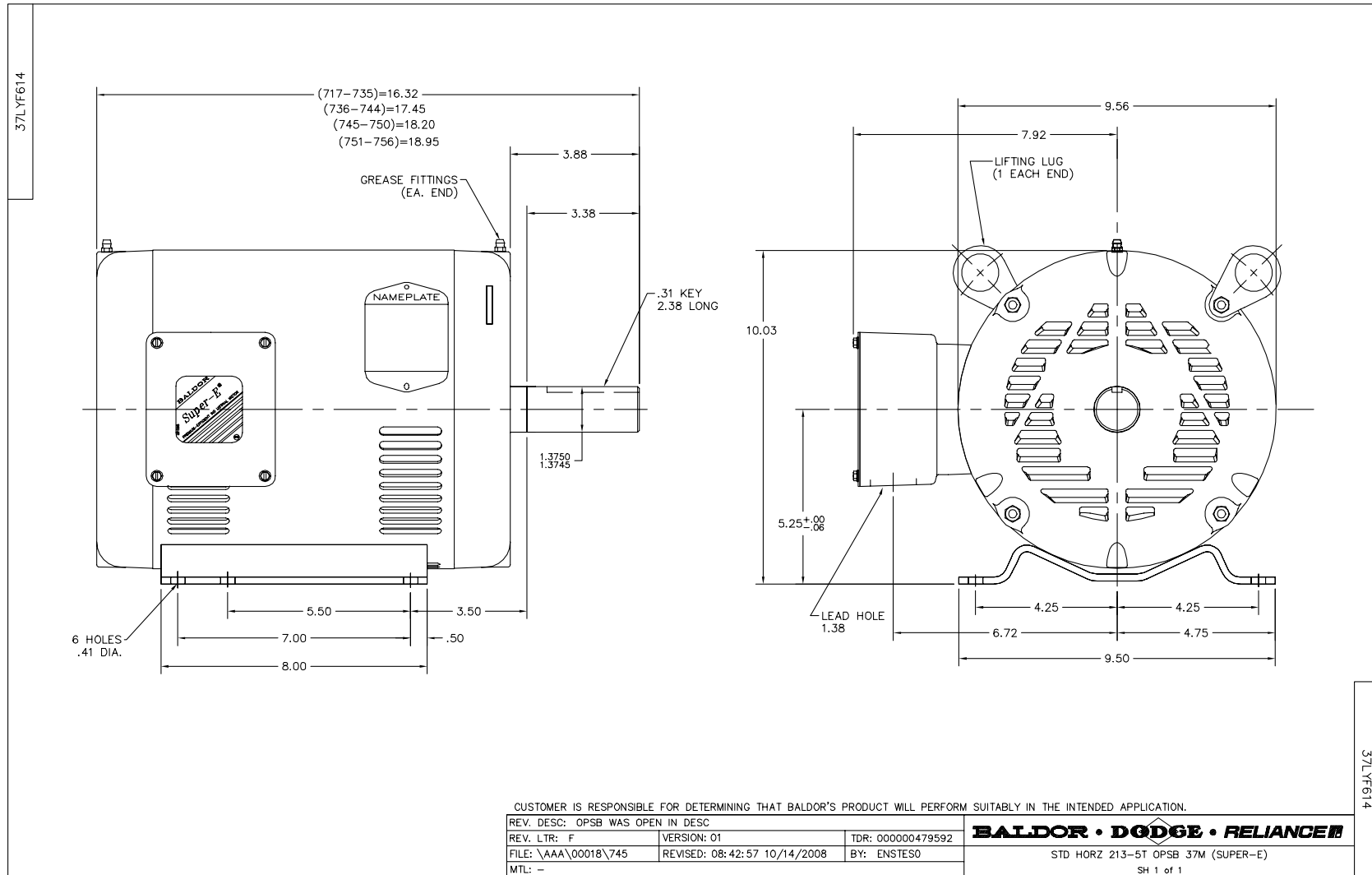
| | | | |
|---------------------------------|---------------------------------|-----------------------------|------------|
| Full Load Torque: | 29.7 LB-FT | Start Configuration: | DOL |
| No-Load Current: | 14.0 Amps | Break-Down Torque: | 90.9 LB-FT |
| Line-line Res. @ 25°C.: | 0.194 Ohms A Ph / 0.0 Ohms B Ph | Pull-Up Torque: | 49.2 LB-FT |
| Temp. Rise @ Rated Load: | 34 C | Locked-Rotor Torque: | 54.9 LB-FT |
| Temp. Rise @ S.F. Load: | 41 C | Starting Current: | 215.0 Amps |

Load Characteristics

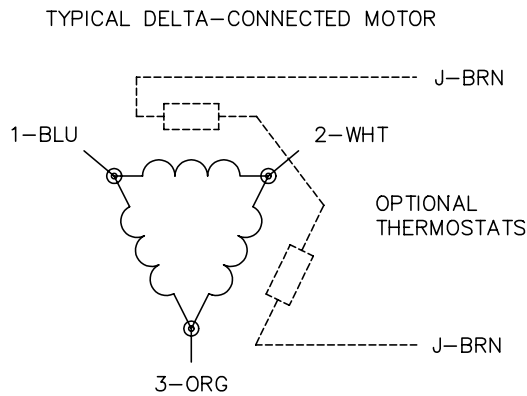
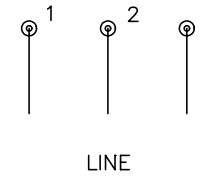
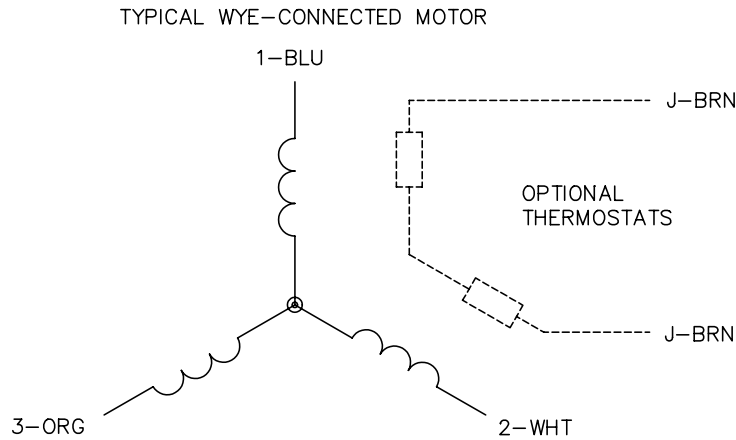
| % of Rated Load | 25 | 50 | 75 | 100 | 125 | 150 | S.F. |
|------------------------|-----------|-----------|-----------|------------|------------|------------|-------------|
| Power Factor: | 40.0 | 62.0 | 74.0 | 80.0 | 83.0 | 84.0 | 82.0 |
| Efficiency: | 87.0 | 91.7 | 92.2 | 91.8 | 90.8 | 89.6 | 91.2 |
| Speed: | 1793.0 | 1786.0 | 1778.0 | 1770.0 | 1761.0 | 1751.0 | 1765.0 |
| Line Amperes: | 15.4 | 19.1 | 23.8 | 29.5 | 35.8 | 43.0 | 33.3 |

Performance Graph at 200V, 60Hz, 10.0HP Typical performance - Not guaranteed values





CD0006



NOTES:

1. THREE LEAD MOTOR MAY BE EITHER WYE CONNECTED OR DELTA CONNECTED.
2. INTERCHANGE ANY TWO LINE LEADS TO REVERSE ROTATION.
3. OPTIONAL THERMOSTATS ARE PROVIDED WHEN SPECIFIED.
4. ACTUAL NUMBER OF INTERNAL PARALLEL CIRCUITS MAY VARY.
5. LEAD COLORS ARE OPTIONAL. LEADS MUST BE NUMBERED AS SHOWN.

| | | | |
|---|---------|------------------------|--------------|
| REV. DESC: REVISE TO SHOW OPTIONAL COLORS | | | |
| REV. LTR: D | BY: JLP | REVISED: 01/21/99 4:02 | TDR: 0171435 |
| 9000D | | FILE: AAA00005141 | MDL: - |
| | | MTL: - | |

BALDOR ELECTRIC Co.

3PH, SV, 3 LEADS, WYE OR DELTA CONNECTED

CD0006